



our **power**, your **passion**

EN



Product Catalogue 2024



Contents

CORPORATE SETUP	The Emak Group	4
	Outdoor Power Equipment	6
LOW-LEVEL ENVIRONMENTAL IMPACT WORK	Battery-powered products	12
CUTTING AND PRUNING	Chainsaws and Pruners	22
	Hedgetrimmers	42
CUTTING GRASS	Brushcutters	48
	Lawnmowers	84
	Scarifiers	100
	Wheeled brushcutters/Flail mowers	104
	Garden Tractors	112
TREATMENTS AND IRRIGATION	Water Pumps	124
	Backpack Mistblowers	128
PREPARING THE GROWN	Rotary Tillers	132
	Earth Augers	136
CLEANING	Blowers and Vacuum Cleaners	138
	High-pressure Washers	144
TRANSPORTING	Transporters	152
POWER GENERATION	Power generators	156
SAFETY AND ACCESSORIES	Protective Clothing	162
	Lubricant and sundry Accessories	174
EMAK ENGINES	Gardening Line	182
	Agricultural Line	194

Symbols

Constant Power Motor control electronic system designed to guarantee unvarying performance irrespective of battery charge.	AlwaysOn On/off switch that returns automatically to the "on" position after each stop, thus eliminating the risk of flooding the carburettor.
EasyOn User-friendly starting system ensures a smooth pick-up of the engine with no kickback, and limits the number of pulls required.	PlusCut Multifunction lawnmowers with collection or mulching system (in mulching operation the grass cuttings are finely shredded and distributed over the lawn surface where they decompose rapidly to become an efficient natural fertiliser).
EasyStart System that offers the same advantages as the EasyOn system but with the addition of reduced kickback, thanks to a double starter spring.	iK-GO Emak engine with electric starter running on a rechargeable battery.
Decompressor The compression ratio in the cylinder reduces when the starter is pushed in, allowing the engine to be started with less effort.	InstartIS Briggs & Stratton engine with electric starter running on a rechargeable battery.
Lateral chain tensioner This device simplifies tensioning adjustments while avoiding any contact with the chain.	ReadyStart System that automatically detects the engine temperature and feeds the optimal quantity of fuel to the carburettor. No need for primer or closing of the choke.
OnBoard Clutch Reduces the risk of the clutch jamming and simplifies routine maintenance while also making for easier chain replacements.	3-cutting device Versatile cutting system that includes mulching, pick-up and deflector for rear discharge (optional).
EasyLift The folding rear handgrip covering the filler caps is ergonomic and provides access to the tanks without using tools.	4-cutting device Versatile cutting system that includes mulching, collection and side discharge as standard, with optional deflector for rear discharge.
VibCut An antivibration system that isolates the engine from the handles and the body of the machine, considerably reducing the vibrations transmitted to the user during operation so as to guarantee maximum comfort and easy handling.	Deck Wash Quick-fit connector for washing the cutting deck after use. Convenient and practical, it helps keep the deck in tip-top condition at all times.
SRS Safety Release System Innovative quick release system allowing the operator to step away from the machine in an instant, for maximum protection and safety.	Premium Safety A complete line of protective work clothing. Ensures maximum safety without restricting movement.
4-Stroke The 4-stroke engine significantly reduces fuel consumption compared with a conventional 2-stroke engine.	Original accessories and spare parts Quality mark identifying original Emak parts and accessories. Designed to the most stringent quality standards, these items guarantee smoother operation of the machine and longer service life.

The Emak Group

Our Vision

"Innovative solutions for the best customer value"

We aim to operate as one of the world's foremost players in the development, production and distribution of machines, components and accessories for gardening, agriculture, forestry and industry, with an offering of innovative products and services designed to make the work of our clients in the consumer and professional markets efficient and enjoyable, guaranteeing that they always receive the highest possible value.



Structure

The **Emak Group** is active in the development, production and worldwide sale of an extensive range of products for three business segments:

Outdoor Power Equipment

- products for gardening, forestry and agriculture, including brushcutters, lawnmowers, garden tractors, chainsaws, rotary tillers and rotary cultivators.

Pumps and High Pressure Water Jetting

- products for agriculture, including centrifugal and diaphragm pumps for crop spraying and weed control;
- products for industry, including pumps for industrial applications and high and very-high pressure systems;
- products for cleaning, namely professional and semiprofessional high-pressure washers, floor scrubber-dryers and vacuum sweepers.

Components and Accessories

- products such as trimmer line and line heads for brushcutters, accessories for chainsaws, guns, valves and nozzles for high-pressure washers and for agricultural applications, plus precision farming products (sensors and computers).

The group has approximately **2,000 employees** overall.



The Emak Group

Divisions and Product Range

Outdoor Power Equipment



Pumps and High Pressure Water Jetting



Components and Accessories



Outdoor Power Equipment

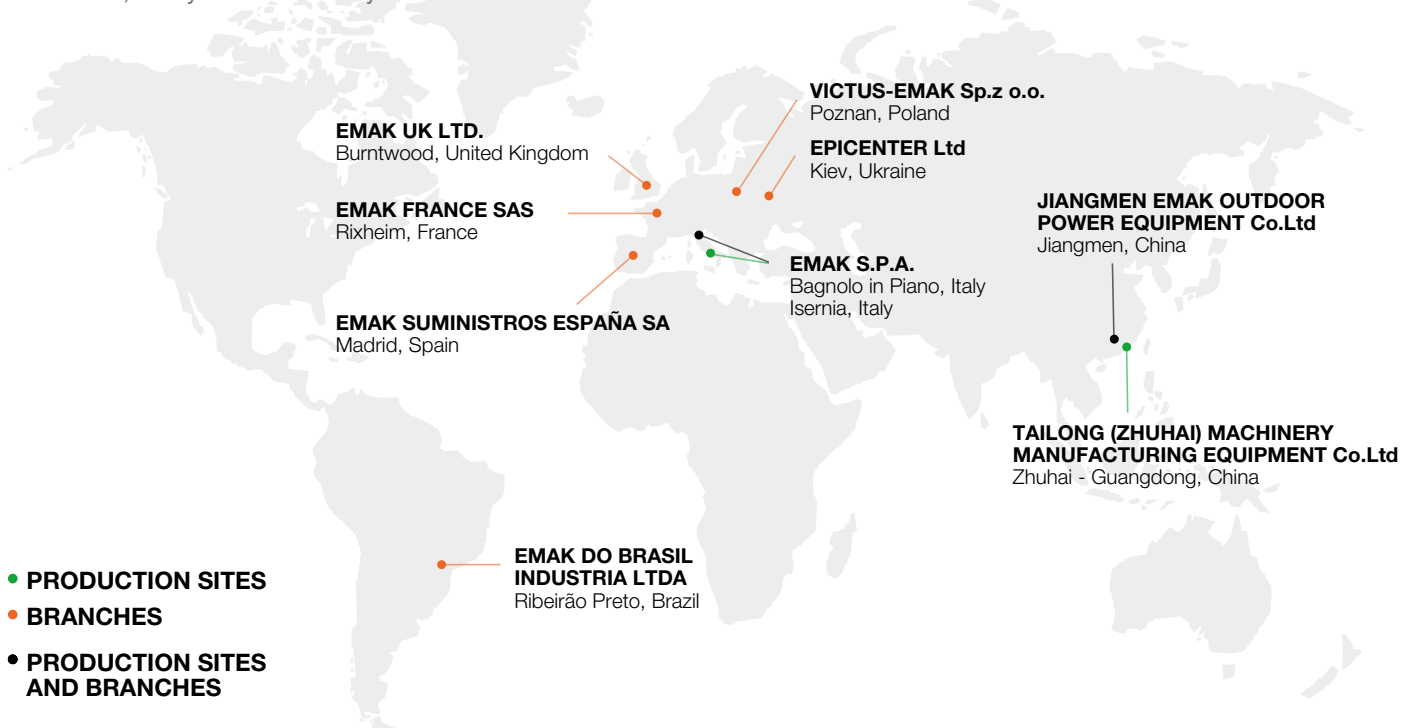
Our Passion

Emak's green ethos is made up of certainty, innovation and completeness. Our green credentials are based on care, respect, passion and design focus. That's why, with our **Efco**, **Oleo-Mac**, **Bertolini** and **Nibbi** brands, **Emak** stands as a benchmark in groundcare and garden maintenance for professionals and amateurs alike. A passion that has been all-Italian for more than 50 years. There's an **Emak** for everyone.



Structure

Emak operates in the **Outdoor Power Equipment** segment through **9** companies engaged in the development, production and sale of products for gardening and forestry, and small agricultural machines, including brushcutters, lawnmowers, garden tractors, chainsaws, rotary tillers and rotary cultivators.



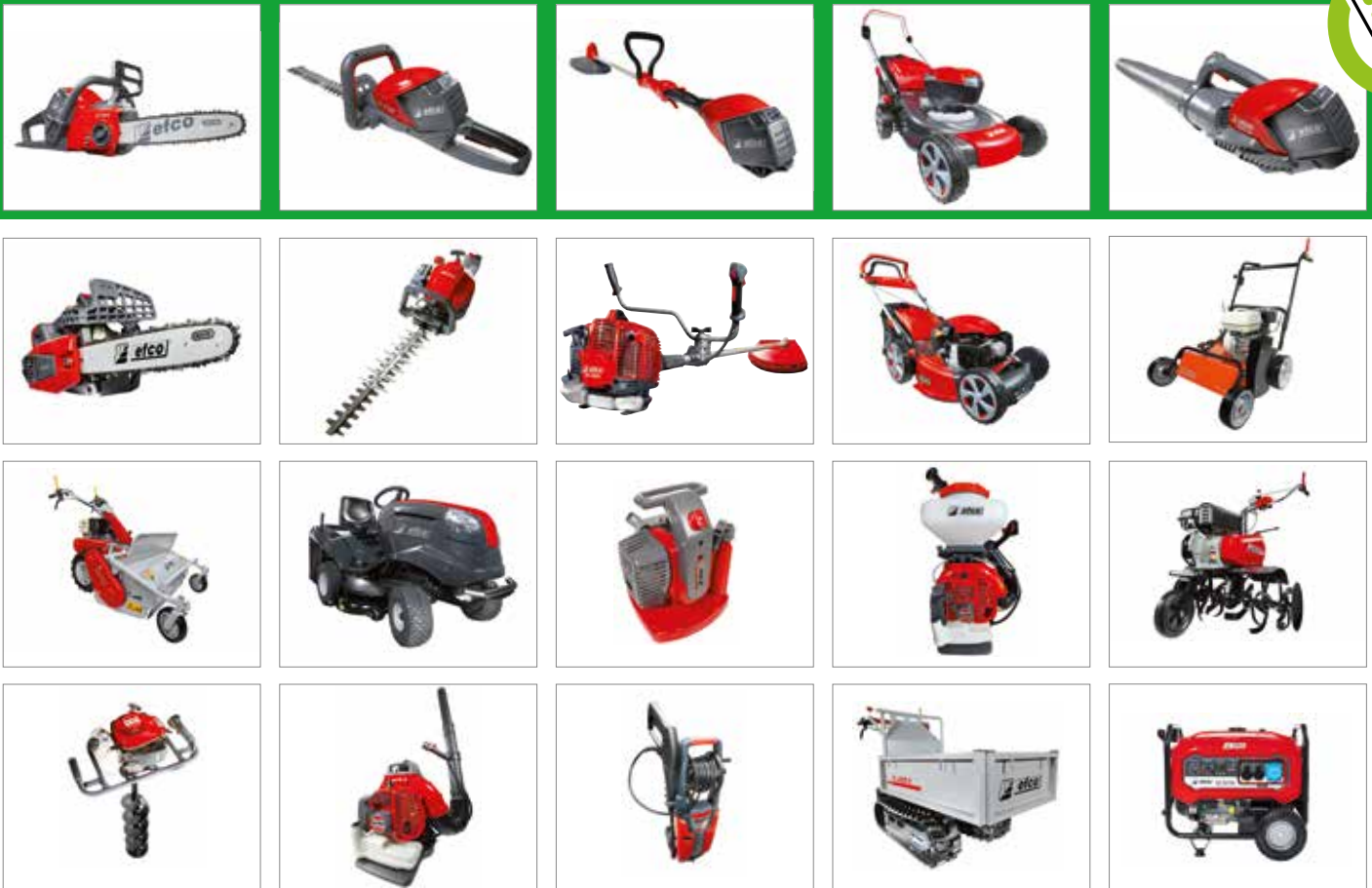
Facts and Figures

4	brands
4	production units
8	countries with direct presence
~800	personnel
170	dealers nationwide
115	countries served
23	product families
260	models



Outdoor Power Equipment

Products and Accessories Range



Gardening, farming and forestry tools for home users and professionals. **EfcO** covers all shades of green. With different models to meet each user's needs but all sharing the same exceptional quality standards in terms of performance, reliability, comfort and safety. The accessories range is offered as an extension and completion of the product range. Ergonomics, quality and styling are essential ingredients of the development of **EfcO**'s products: primarily designed to meet the needs of professionals whilst also taking care of the requirements of less expert users who insist on the very best. A truly comprehensive range of superb quality products at highly competitive prices – that's the **EfcO** formula.

Home-plus



Home-plus

A range of machines aimed at the home user, for tidying and cleaning the garden, cutting hedges and small trunks or stems, and DIY jobs in general. Characterized by lightweight and compact construction, to make the task of the operator that much simpler. Easy to start, easy to use, easy to maintain: these are the ideal tools for getting things done quickly and neatly around the home.

Tough-tech



Tough-tech

Solid and dependable, these are machines designed for heavy and frequent use in countryside environments: clearing overgrown and uncultivated areas, pruning and cutting firewood, crop irrigation and disinfestation tasks. Designed adopting solutions certain to ensure high work rates and maximum durability over time.

Sharp-pro



Sharp-pro

No-nonsense everyday tools for the busy professional, these are machines that stand out for the toughness of their components, their high performance and their matchless long-term durability. Specific materials used in construction guarantee unwavering quality even when tackling the most severe and lengthy of tasks, like forestry work and the clearance of uncultivated areas or scrub and undergrowth.





The New Products

Brushcutters

Professional petrol engine Brushcutters	
DS 5400 S	66
DS 5400 T	66
DS 5400 BOSS	66
DSF 5400	67

Wheeled brushcutters/Flail mowers

Professional Flail mowers	
DR 100	111
DR 100 TR	111

Garden Tractors

Side-discharge Garden Tractors	
EF 99 L/14,5 K	115
EF 109 L/16 K	115
EF 86 R/12,5 K M	116
EF 86 R/14,5 K	116
EF 92 R/16 K	117
EF 95/16 K	117
EF 105/16 K	118
EF 125/22 V	119
TONKAWA 110 4x4	120

Power generators

Power generators up to 3 kW	
PGE 25 DCS	158
PGE 35 DCS	158
Power generators up to 6 kW	
PGE 65 DCS	159
PGE 65E DCS	159
PGE 80E-3 DCS	159
Inverter power generators	
PGE 23i S	160
PGE 48i S	160

LOW-LEVEL ENVIRONMENTAL IMPACT WORK	CUTTING WOOD FOR FIREPLACES, SMALL PRUNING, DIY JOBS WITH A BATTERY-POWERED CHAINSAW	Battery-powered products	
	CUTTING HEDGES WITH SMALL STEMS WITH A BATTERY-POWERED HEDGETRIMMER		
	FINISHING THE LAWN ON SMALL AND FLAT GROUND WITH A BATTERY-POWERED BRUSHCUTTER		
	CUTTING THE GARDEN LAWN WITH A BATTERY-POWERED LAWNMOWER		
	CLEAR LEAVES WITH A BATTERY-POWERED BLOWER		
CUTTING AND PRUNING	CUTTING WOOD FOR FIREPLACES, SMALL PRUNINGS, DIY JOBS	Chainsaws and Pruners	
	LIMBING UP, CUTTING OF SMALL PLANTS AND FIREWOOD		
	CUTTING DOWN AND CUTTING UP LARGE TREES		
	PRUNING TREES		
	CUTTING HEDGES WITH SMALL STEMS	Hedgetrimmers	
	CUTTING LARGE HEDGES WITH DENSE VEGETATION		
CUTTING GRASS	FINISHING OFF THE LAWN ON SMALL AND FLAT GROUND	Brushcutters	
	FINISHING OFF THE LAWN ON LARGE TRACTS OF LAND		
	FINISHING OFF THE LAWN ON WIDE AND DISCORDANT TERRAIN CUTTING RUSHES, CLEANING THE UNDERGROWTH		
	CUTTING THE GARDEN LAWN	Lawnmowers	
	SCARIFYING THE LAWN	Scarifiers	
	TRIMMING AND MOWING GRASS, WEEDS, INVASIVE VEGETATION	Wheeled brushcutters	
		Flail mowers	
	CUTTING THE LAWN GRASS ON A LARGE SCALE	Garden Tractors	
	TREATMENTS AND IRRIGATION	IRRIGATING PLANTS, VINEYARDS, ORCHARDS	Water Pumps
		DISINFESTING PLANTS, VINEYARDS, ORCHARDS	Backpack Mistblowers
PREPARING THE GROWN	SOWING AND CULTIVATING	Rotary Tillers	
	DRILLING THE SOIL	Earth Augers	
CLEANING	BLOWING AND COLLECTING LEAVES	Blowers and Vacuum Cleaners	
	BLOWING LEAVES, OLIVES, HAZELNUTS		
	WASHING THE CAR, WASHING THE OUTSIDE FLOORING	High-pressure Washers	
TRANSPORTING	TRANSPORTING LOADS, WOOD, SOIL	Transporters	
POWER GENERATION	GENERATE POWER FOR HOUSEHOLD TOOLS AND LEISURE EQUIPMENT	Power generators	

Chainsaws

Hedge trimmers

Brushcutters

Lawnmowers

Blowers

Electric

Battery-powered

H series compact

MT series compact

H series medium power

MT series medium power

MT series professional

H series Pruning

MT series Pruning

H series pruners

Telescopic Pruners

Electric

Battery-powered

Professional

Shaft

Electric

Battery-powered

H series lightweight

H series lightweight multifunction

STARK series lightweight

DS series lightweight

DS series lightweight multifunction

H series 4-stroke

H series medium power

STARK series medium power

DS series medium power

DS series medium power multifunction

Professional

Backpack

Electric

Battery-powered

COMFORT push-type and self-propelled

COMFORT PLUS push-type

COMFORT PLUS self-propelled

ALLROAD PLUS 4 self-propelled

ALLROAD ALUMINIUM self-propelled

ALUMINIUM PRO self-propelled

MR 55 self-propelled professional

For home use

Professional

For home use

For intensive use

Professional

For home use

For intensive use

Professional

Rider

Side-discharge

Rear-discharge

Professional all-terrain

Self-priming Water Pumps

Not self-priming Water Pumps

Backpack

Compact

Medium power

Medium power

Battery-powered

Handheld

Backpack

Cold water

Hot water

Compact

Professional

Up to 3 kW

Up to 6 kW

Inverter



The evolution of eco-friendly tools: quiet, practical and versatile.

Technology and comfort

The **Efco** battery-powered range is the latest evolution of DIY power tools for gardening activities. They combine efficient performance with convenient and easy use thanks to the battery operation. Switching to **Efco** battery-powered products removes the hassle of preparing fuel/oil mixture, making sure it doesn't deteriorate, and dealing with oil and fuel spills. The battery used is a high-tech device, compatible with a huge number of charging cycles equivalent to many years of use, whether fully charged or partially charged. The battery is also completely interchangeable, functioning like an energy store that's always ready for use with any application in the range. Finally, **Efco** battery-powered tools deliver the all-important guarantee of environmental respect, thanks to the absence of combustible fuel and the elimination of noise pollution. The attractive styling of **Efco** battery-powered products makes them absolutely unique and iconic in the field of garden maintenance equipment.



Exterior mounted battery to reduce structural bulk without reducing ruggedness or increasing weight.



Machines designed for optimal balance and minimal operator fatigue.



Fully interchangeable batteries rated 2.0 or 5 Ah, compatible with all applications in the range.



Motor control electronic system designed to guarantee unvarying performance irrespective of battery charge.



Adjustable speed blower to provide exactly the right power for the job in hand.



Steel deck lawnmower, cutting diameter of 41 or 46 cm, with facility to operate also with a double battery for the utmost flexibility.



Battery-powered products

Guide to selection

		HOME	COUNTRYSIDE
CUTTING WOOD FOR FIREPLACES, SMALL PRUNING, DIY JOBS WITH A BATTERY-POWERED CHAINSAW	Chainsaws		MTi 30
CUTTING HEDGES WITH SMALL STEMS WITH A BATTERY-POWERED HEDGETRIMMER	Hedgetrimmers	TGi 45	
FINISHING THE LAWN ON SMALL AND FLAT GROUND WITH A BATTERY-POWERED BRUSHCUTTER	Brushcutters	DSi 30	
CUTTING THE GARDEN LAWN WITH A BATTERY-POWERED LAWNMOWER	Lawnmowers	LRi 40 LRi 44 LRi 48	
CLEAR LEAVES WITH A BATTERY-POWERED BLOWER	Blowers	SAi 60 BOOST	

Battery-powered Chainsaws

The cordless battery-powered chainsaw is the perfect tool for pruning, cutting branches and small and medium-sized firewood. The battery-powered chainsaw stands out for its compact and ergonomic design for more comfortable use of the tool. Equipped with a top notch Oregon cutting tool with high-strength thin chain for optimal penetration, the **MTi 30** battery-powered chainsaw is ideal for DIY duties, eliminating the exhaust fumes and noise of a petrol engine tool with no compromise in terms of performance and reliability.



Low weight and compact dimensions.



Oregon 12" bar and chain.



No-tools chain adjustment.



MTi 30

Motor type	Brushless
Voltage	40 V
Operating batteries	Bi 5,0 EF
Bar type	Oregon, sprocket-nose
Bar length	30 cm / 12"
Chain pitch	3/8" x .043"
Chain speed	16 m/s
Oiler	automatic/zero oil flow with motor stopped
Oil reservoir capacity	0.2 L
Chain tensioner	tool-free, knob system
Working time up to (*)	160 cuts
Dry weight (without battery, bar and chain)	2.8 kg
Charging time with CRG	220' (5.0 Ah)
Charging time with FAST CRG	90' (5.0 Ah)

(*) Cut of wood section up to 10 cm diameter.

Working time can be subject to variations according to working conditions and type of wood to be cut

Battery-powered Hedgetrimmers

The freedom of movement allowed by the absence of a power cable makes battery-powered hedgetrimmers ideal for duties around the garden. Equipped with high quality laser-treated blades to ensure high cutting precision without damaging vegetation, battery-powered hedgetrimmers are the perfect solution thanks to their ergonomic design and total absence of exhaust emissions. The rugged gearbox ensures reliability and long life, while the batteries provide up to 2 hours of continuous operation so that jobs can be completed on a single charge.



High quality laser-sharpened 45 cm blades.



Very long working times.



Dual action.



TGi 45

Motor type	Brushed
Voltage	40 V
Operating batteries	Bi 2,0 EF / Bi 5,0 EF
Blade type	dual action
Blade length	45 cm
Blade tooth spacing	20 mm
Sound pressure/power level	81.4/90 dB(A)
Lh/rh vibration level	< 2.5 m/s ²
Running time, light use (*)	48' (2.0 Ah) / 120' (5.0 Ah)
Running time, intensive use (*)	36' (2.0 Ah) / 90' (5.0 Ah)
Weight without battery	3.0 kg
Charging time with CRG	88' (2.0 Ah) / 220' (5.0 Ah)
Charging time with FAST CRG	40' (2.0 Ah) / 90' (5.0 Ah)

(*) Indicative data which may vary depending on working conditions and the type of vegetation cut

Battery-powered Brushcutters

DSi 30 is an irreplaceable tool for working around the garden. It combines the low weight and ease of use typical of battery-powered tools with the practicality of the Load&Go line head, for easy loading without the use of tools, plus a 30 cm cutting diameter and 2 mm diameter "Pro-Silent" line.



Rugged and well-balanced handle.



30 cm cutting diameter.



Load&Go head.



DSi 30

Motor type	Brushed
Voltage	40 V
Operating batteries	Bi 2,0 EF / Bi 5,0 EF
Cutting diameter	30 cm
Cutting equipment	103 mm dia. Load&Go line head with 2 mm dia. nylon line
Handle	single, adjustable
Sound pressure/power level	76/87 dB(A)
Lh/rh vibration level	< 2.5 m/s ²
Running time, light use (*)	24' (2.0 Ah) / 60' (5.0 Ah)
Running time, intensive use (*)	16' (2.0 Ah) / 40' (5.0 Ah)
Weight without battery	2.9 kg
Charging time with CRG	88' (2.0 Ah) / 220' (5.0 Ah)
Charging time with FAST CRG	40' (2.0 Ah) / 90' (5.0 Ah)

(*) Indicative data which may vary depending on working conditions and the type of vegetation cut

Battery-powered Lawnmowers

The transition to battery power offers significant benefits even for lawnmowers, including results that rival classic petrol engine machines. With these machines (of which **LRI 44** and **LRI 48** are also available in a self-propelled version), mowing duties benefit from ease of use, reduced noise levels and the complete elimination of exhaust gas. Forget about having to empty the fuel tank to prepare for winter storage, replace the spark plug, clean the air filter, or worry about stored fuel-oil mixture deteriorating: all this is no more than a distant memory with battery-powered motors, without any compromise in performance. The **LRI 44** and **LRI 48** are both equipped with a double battery housing, making it possible to extend running time with up to two 5 Ah batteries, sufficient for mowing larger areas. Both machines feature a steel deck, centralised cutting height adjustment controls, generously sized grass catcher and, for **LRI 48** models, a 4-in-1 cutting function, allowing for cutting without grass collection, with mulching system or side discharge. Model **LRI 40 P** is suitable for small gardens thanks to its compact plastic deck and maneuverability.



LRI 40 P LRI 44 P LRI 44 T LRI 48 P LRI 48 T

Motor type	Brushless	Brushless	Brushless	Brushless	Brushless
Voltage	40 V	40 V	40 V	40 V	40 V
Max no. of batteries	up to 1	up to 2	up to 2	up to 2	up to 2
Operating batteries	Bi 2,0 EF / Bi 5,0 EF	Bi 2,0 EF / Bi 5,0 EF	Bi 5,0 EF	Bi 5,0 EF	Bi 5,0 EF
Deck material	polypropylene	steel	steel	steel	steel
Propulsion	push-type	push-type	self-propelled	push-type	self-propelled
Cutting diameter	37 cm	41 cm	41 cm	46 cm	46 cm
Cutting height	from 18 to 60 mm	from 28 to 75 mm	from 28 to 75 mm	from 28 to 75 mm	from 28 to 75 mm
Grass catcher capacity	40 L	70 L	70 L	70 L	70 L
Mulching/Side-discharge	not available/not available	not available/not available	not available/not available	standard/standard	standard/standard
Mowing surface area up to (*)	120 m ² (1x2.0 Ah) 300 m ² (1x5.0 Ah)	140 m ² (1x2.0 Ah) 280 m ² (2x2.0 Ah) 350 m ² (1x5.0 Ah) 700 m ² (2x5.0 Ah)	250 m ² (1x5.0 Ah) 500 m ² (2x5.0 Ah)	250 m ² (1x5.0 Ah) 500 m ² (2x5.0 Ah)	250 m ² (1x5.0 Ah) 500 m ² (2x5.0 Ah)
Weight without batteries	13 kg	23 kg	25 kg	27 kg	29 kg
Charging time with CRG	88' (2.0 Ah) / 220' (5.0 Ah)	88' (2.0 Ah) / 220' (5.0 Ah)	220' (5.0 Ah)	220' (5.0 Ah)	220' (5.0 Ah)
Charging time with FAST CRG	40' (2.0 Ah) / 90' (5.0 Ah)	40' (2.0 Ah) / 90' (5.0 Ah)	90' (5.0 Ah)	90' (5.0 Ah)	90' (5.0 Ah)

(*) Cutting performance depends on several factors including: garden shape, surface characteristics (length, grass moisture), ground speed, type of cut (collection, mulching or side discharge)

Battery-powered Blowers

With the leaf blower having become an essential piece of equipment for clearing work in the yard and garden, the **SAi 60 BOOST** is the most modern and practical version thanks to its battery operation, ideal power output for various duties, and air velocity control.



Outlet air speed regulator with BOOST function to further increase blowing force.



Constant performance irrespective of battery charge.



Well-balanced tool.



The coupling system with button makes the blower tube easier to assemble.



SAi 60 BOOST

Motor type	Brushless
Voltage	40 V
Operating batteries	Bi 2,0 EF / Bi 5,0 EF
Max outlet air velocity	40 m/s (BOOST 50 m/s)
Adjustable air velocity	yes, specific command (roller)
Sound pressure/power level	88.6/98 dB(A)
Vibration level	< 2.5 m/s ²
Running time, maximum speed	12' (2.0 Ah) / 25' (5.0 Ah)
Running time, minimum speed	32' (2.0 Ah) / 82' (5.0 Ah)
Weight without battery	2.8 kg
Charging time with CRG	88' (2.0 Ah) / 220' (5.0 Ah)
Charging time with FAST CRG	40' (2.0 Ah) / 90' (5.0 Ah)

Bi Batteries

The **Efco** range of batteries comprises two power ratings: 2.0 and 5 Ah, both of which are the same dimensions and perfectly interchangeable in all applications. Equipped with indicator system to overload cutout and battery charge. When the tool is in use the LEDs constantly show the charge status of the batteries.



Charge level constantly visible during use.



Bi 2,0 EF

Bi 5,0 EF

	Bi 2,0 EF	Bi 5,0 EF
Charging time with CRG	88 min	220 min
Charging time with FAST CRG	40 min	90 min
Voltage	40 V	40 V
Capacity	2.0 Ah	5 Ah
Technology	Lithium Ion cells	Lithium Ion cells
Charge levels	4 LEDs	4 LEDs
Weight	0.7 kg	1.3 kg

Not usable on **MTi 30** chainsaw and **LRi 44 T**, **LRi 48** lawnmowers

CRG Battery chargers

For charging **Bi 2,0 EF** and **Bi 5,0 EF** batteries and keeping them in perfect condition. Use of the latest electronics means batteries are charged in complete safety to maximise their working life and minimise mains power consumption. The **FAST CRG** charger also makes it possible to have the charging time: this means it takes just 40 minutes to charge the 2.0 Ah battery. GS and ETI certified, the battery chargers are available with different plug types (EU, UK and US standard).



The battery charger body is designed to allow it to be hung on a wall.



CRG

FAST CRG

	CRG	FAST CRG
Voltage	110-240 V, 50-60 Hz	110-240 V, 50-60 Hz
Bi 2,0 EF battery charging time	88 min	40 min
Bi 5,0 EF battery charging time	220 min	90 min
Weight	0.6 kg	1.0 kg

Battery-powered products

Bi 2,0 EF

2.0 Ah BATTERY

Bi 5,0 EF

5.0 Ah BATTERY

The **Efco** range of batteries comprises two power ratings: 2.0 and 5.0 Ah, both of which share the same dimensions and are perfectly interchangeable in all applications*.



SAME DIMENSIONS OF 2.0 Ah AND 5.0 Ah VERSIONS

Bi 2,0 EF*

Charging time with CRG	88 min
Charging time with FAST CRG	40 min
Weight	0.7 kg

Bi 5,0 EF

Charging time with CRG	220 min
Charging time with FAST CRG	90 min
Weight	1.3 kg

* 2.0 Ah battery not for use on **MTi 30** chainsaw and **LRi 48, LRi 44 T** lawnmower



CHARGE LEVEL VISIBLE AT A GLANCE DURING USE



MTi 30



TGi 45



DSi 30

WORKING TIME WITH SINGLE CHARGE



Bi 2,0 EF

JOB TYPE

NUMBER OF CUTS

INTENSIVE

10 cm diameter limbs

JOB TYPE

BATTERY LIFE IN MINUTES

LIGHT

INTENSIVE

LIGHT

INTENSIVE

48

36

24

16

Bi 5,0 EF

NUMBER OF CUTS

BATTERY LIFE IN MINUTES

160

120

90

60

40

Battery-powered products

CRG	FAST CRG
BATTERY CHARGERS	BATTERY CHARGERS

For charging **Bi 2,0 EF** and **Bi 5,0 EF** batteries and keeping them in perfect condition. Use of the latest electronics means batteries are charged in complete safety to maximise their working life and minimise mains power consumption. The **FAST CRG** charger also halves the charging time: this means it takes just 40 minutes to charge the 2.0 Ah battery.



CRG

Bi 2,0 EF battery charging time	88 min
Bi 5,0 EF battery charging time	220 min
Weight	0.6 kg

FAST CRG

Bi 2,0 EF battery charging time	40 min
Bi 5,0 EF battery charging time	90 min
Weight	1.0 kg

	SAi 60 BOOST	LRI 40 P	LRI 44 P	LRI 44 T	LRI 48 P	LRI 48 T
CUTTING AREA IN m²	LIGHT 32 INTENSIVE 12	1 BATTERY - 120 2 BATTERIES - 280	1 BATTERY - 140 2 BATTERIES - 280	-	-	-
CUTTING AREA IN m²	82 25	1 BATTERY - 300 2 BATTERIES - 700	1 BATTERY - 350 2 BATTERIES - 700	1 BATTERY - 250 2 BATTERIES - 500	1 BATTERY - 250 2 BATTERIES - 500	1 BATTERY - 250 2 BATTERIES - 500

Powerful, versatile and easy to use:
your indispensable helpmates
for cutting and pruning.

Technology and comfort

Pruning, felling, limbing and DIY: there's an **Efco** chainsaw to meet the needs of every task, whether in the garden or in the woods. Albeit with different characteristics, all the models share quality, ease of use and maintenance, and reliable top performance. Top-quality bars and chains ensure clean and accurate cuts, without damaging the vegetation. Even in the event of prolonged use, our chainsaws offer superior performance and maximum efficiency thanks to the low fuel consumption and smooth and constant engine torque. The high standards of technical equipment fitted as standard ensure the maximum safety which, in the electric models, is attested to by our international certifications, including GS and IMQ.



Piston with 2 rings, forged and machined steel crankshaft and connecting rod, needle roller bearings, nickel plated cylinder: high and constant efficiency guaranteed over time, even when undertaking heavy work schedules.



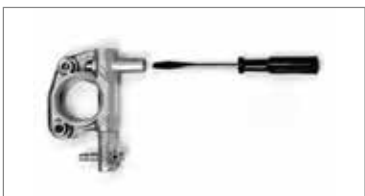
The EasyOn starting system ensures any user can set the machine running simply and effortlessly, with a minimal number of pulls on the cord.



The Primer facilitates starting even in the harshest climates.



Fuel tank with externally visible level; easy management of refueling intervals.



Aluminium oil pump: ensures zero flow with engine idling and long, durable service.



"Ice device": ensures the machine can operate without difficulty even at low temperatures (below 0°C), avoiding the formation of ice on the air filter.



Chainsaws and Pruners

Guide to selection

		HOME	COUNTRYSIDE	WOODLAND	URBAN
CUTTING WOOD FOR FIREPLACES, SMALL PRUNINGS, DIY JOBS	Electric	MT 2000 E			
	Battery-powered	MTi 30			
LIMBING UP, CUTTING OF SMALL PLANTS AND FIREWOOD	H series compact	MTH 400 / MTH 4000			
	MT series compact	MT 3710 MT 4110			
	H series medium power	MTH 510 / MTH 5100 MTH 560 / MTH 5600			
	MT series medium power	MT 4510 MT 5200			
CUTTING DOWN AND CUTTING UP LARGE TREES	MT series professional			MT 6300 MT 6500 MT 6510	
PRUNING TREES	H series pruning	MTTH 2400			
	MT series pruning			MTT 2500 MTT 3600	
	H series pruners	PTH 2500			
	Telescopic Pruners			PTX 2710 PTX 2750	

Electric Chainsaws

Electric chainsaws are the ideal tool for quick and easy jobs around the home and minor pruning tasks: from cutting firewood for stoves and fireplaces to pruning trees around the garden and DIY activities. **MT 2000 E** model is a compact, extremely easy to handle chainsaw, with an easy starting procedure and minimal maintenance requirements: it's the perfect combination of superior performance and practicality.



Chain tensioning by means of a simple knob, without the use of tools.



MT 2000 E

Power	2.0 kW
Voltage/Frequency	230 V / 50 Hz
Bar length (nose)	41 cm/16" (sprocket)
Chain (pitch x gauge)	3/8" x .050"
Oil pump	automatic/zero oil flow with engine stopped
Oil tank capacity	0.35 L
Sound pressure/power level	84.3/106.5 dB(A)
Lh/rh vibration level	3.9/4.4 m/s ²
Dry weight without bar and chain	4.4 kg

Battery-powered Chainsaws

The cordless battery-powered chainsaw is the perfect tool for pruning, cutting branches and small and medium-sized firewood. The battery-powered chainsaw stands out for its compact and ergonomic design for more comfortable use of the tool. Equipped with a top notch Oregon cutting tool with high-strength thin chain for optimal penetration, the **MTi 30** battery-powered chainsaw is ideal for DIY duties, eliminating the exhaust fumes and noise of a petrol engine tool with no compromise in terms of performance and reliability.



Low weight and compact dimensions.



Oregon 12" bar and chain.



No-tools chain adjustment.



MTi 30

Motor type	Brushless
Voltage	40 V
Operating batteries	Bi 5,0 EF
Bar type	Oregon, sprocket-nose
Bar length	30 cm / 12"
Chain pitch	3/8" x .043"
Chain speed	16 m/s
Oiler	automatic/zero oil flow with motor stopped
Oil reservoir capacity	0.2 L
Chain tensioner	tool-free, knob system
Working time up to (*)	160 cuts
Dry weight (without battery, bar and chain)	2.8 kg
Charging time with CRG	220' (5.0 Ah)
Charging time with FAST CRG	90' (5.0 Ah)

(*) Cut of wood section up to 10 cm diameter.

Working time can be subject to variations according to working conditions and type of wood to be cut

H series petrol engine Chainsaws

Pruning

The **MTTH 2400** chainsaw is an excellent choice for home users who need a strong and reliable product to easily cope with pruning tasks, particularly on fruit and olive trees. Thanks to the stable fuel-air mixing, all these cutting operations can be carried out even in unconventional positions (machine inclined or turned upside down).



EasyOn starting system: reduces kickback during ignition.



Side chain tensioner for swift and practical adjustment of chain tension in any operating condition.



AlwaysOn switch: rapid engine stopping, and thanks to the auto reset function, always ready to restart.



Special guide bars with small nose radius: reduce the possibility of kickback and improve boring performance in high-precision jobs.



MTTH 2400

Power/Displacement	1.2 HP - 0.9 kW/25.4 cm ³
Bar length (nose)	25 cm (10")
Chain (pitch x gauge)	3/8" x .050" (sprocket) 1/4" x .043" (sprocket)
Oil pump	aluminium, adjustable/zero flow rate at idle speed
Oil/fuel tank capacity	0.16 L/0.20 L
Sound pressure/power level	96.7/108 dB(A)
Lh/rh vibration level	7.1/7.1 m/s ²
Dry weight without bar and chain	3.2 kg

H series petrol engine Chainsaws

Compact

At the entry level of the **Efco** range, “**H**” series chainsaws are designed to provide the ideal combination of performance and economy for jobs around the home and on smallholdings. Perfect for home use, **MTH 4000** model is the most compact and lightweight in the series, featuring innovative design, top-of-class performance and extremely reliable components.



Nylon filter: the large filtration surface increases working time between filter cleaning operations.



EasyOn: reduced kick-back easy starting system.



Lateral chain tensioner: simplifies tension adjustments while avoiding all risks of contact with the chain.



Adjustable aluminium oil pump: facilitates the operator's job by allowing the oil feed to be adjusted to suit the workload on the machine and the bar/chain combination. Zero oil flow with the engine at idling speed ensures lower consumption and reduced environmental impact.



MTH 400

MTH 4000

Power/Displacement	2.3 HP - 1.7 kW/38.9 cm ³
Bar length (nose)	35-41 cm/14"-16"
Chain (pitch x gauge)	Oregon 3/8" x .050"
Oil pump	automatic in aluminium/adjustable/zero flow rate at idle speed
Oil/fuel tank capacity	0.22 L/0.32 L
Sound pressure/power level	103.2/111.5 dB(A)
Lh/rh vibration level	6.9/7.1 m/s ²
Dry weight without bar and chain	4.5 kg

H series petrol engine Chainsaws

Medium power

Suitable for home use and for smallholders, the higher displacement “H” series chainsaws provide the ideal combination of performance and economy.



Low operating temperatures: enhanced operator comfort and safety, plus longer engine life.



Minimal vibrations: guaranteed by the machine's anti-vibration systems, which enhance the overall operating comfort.



Nickel plated cylinder: for longer working life.



Stable fuel-air mixture: for smooth operation of the machine.



MTH 510	MTH 560
MTH 5100	MTH 5600

Power/Displacement	3.0 HP - 2.2 kW/50.9 cm ³	3.5 HP - 2.6 kW/54.5 cm ³
Bar length (nose)	41-46-51 cm/16"-18"-20" (sprocket-nose)	41-46-51 cm/16"-18"-20"
Chain (pitch x gauge)	Oregon .325" x .050" (16"-18") - .325" x .058" (20")	Oregon .325" - 3/8"
Oil pump	automatic/adjustable/zero flow rate at idle speed	automatic/adjustable/zero flow rate at idle speed
Oil/fuel tank capacity	0.27 L/0.5 L	0.27 L/0.5 L
Sound pressure/power level	110/113 dB(A)	113/116 dB(A)
Lh/rh vibration level	5.2/4.8 m/s ²	7.2/7.0 m/s ²
Dry weight without bar and chain	5.4 kg	5.5 kg



MT series petrol engine Chainsaws

Pruning

The power, manoeuvrability and accuracy required during pruning and tending of plants, olive groves and orchards are guaranteed by the quality of the **MTT 2500** pruning chainsaw, the flagship model in this category owing to its manoeuvrability, low weight and superior power. The combination of these three aspects in a single product make the **MTT 2500** the perfect tool for efficient, quick and safe pruning operations. Power, ergonomics and balance are the distinguishing features of the **MTT 3600** chainsaw. Compact and with an excellent power to weight ratio, it's the ideal chainsaw for pruning tasks at height on tall trees, for limbing and for felling. Its ability to handle the toughest jobs makes it the perfect tool in the hands of professional tree-climbers. The low-emission eco-friendly engine is protected by a double air filter in foam and nylon, and the high-speed high-power chain guarantees clean and accurate cuts without damaging the bark. Models **MTT 2500** and **MTT 3600** are designed by **Giugiaro**, a world leading brand in the industrial design field.

MTT 2500 available also with 1.1 mm chain and sprocket-nose bar (0.043" thickness).



Snap hook: fold-away steel snap hook for rapid attachment of the tool to the operator's harness.



OnBoard clutch: quick fitting of bar and chain, cleaner clutch for lasting performance.



AlwaysOn switch: rapid engine stopping and, thanks to the autoreset function, always ready to restart.



The EasyLift oil and mixture caps are the most practical solution for fast fluid top-up. The conveniently folding rear handgrip is ergonomic and ensures easy use of the filler caps without the need for tools.



MTT 2500

MTT 3600

Power/Displacement	1.3 HP - 1.0 kW/25.4 cm ³	2.0 HP - 1.5 kW/35.1 cm ³
Bar length (nose)	25 cm/10" (sprocket/carving)	30-35 cm/12"-14" (sprocket)
Chain (pitch x gauge)	1/4" x .050" (sprocket) 1/4" x .050" (carving) 1/4" x .043" (sprocket)	3/8" x .050" (sprocket)
Oil pump	aluminium, automatic/zero flow rate at idle speed	aluminium, adjustable/zero flow rate at idle speed
Oil/fuel tank capacity	0.19 L/0.22 L	0.23 L/0.28 L
Sound pressure/power level	97.7/107.9 dB(A)	103/115 dB(A)
Lh/rh vibration level	4.3/5.2 m/s ²	4.9/5.2 m/s ²
Dry weight without bar and chain	2.7 kg	3.8 kg

MT series petrol engine Chainsaws

Compact

The compact chainsaws are designed incorporating the technology used in higher power models: they guarantee performance at the top of their category, ensuring the maximum efficiency and minimum expenditure of time and energy. Occasional minor pruning tasks or cutting small diameter firewood can be carried out using practical and easy-to-use tools. The devices specifically designed for incorporation on these models make for extremely practical use and routine maintenance.



Piston with 2 rings, forged and machined steel crankshaft and connecting rod, needle roller bearings, nickel-plated cylinder: high and constant efficiency guaranteed over time, even when undertaking heavy work schedules.



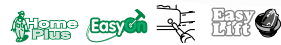
Nylon filter: longer working time between filter cleaning operations thanks to the large filtration surface.



EasyOn starting system: reduces recoil kick-backs during engine starts).



The EasyLift oil and mixture caps are the most practical solution for fast fluid top-up. The conveniently folding rear handgrip is ergonomic and ensures easy use of the filler caps without the need for tools.



MT 3710

MT 4110

Power/Displacement	2.4 HP - 1.8 kW/35.2 cm ³	2.6 HP - 1.9 kW/39.0 cm ³
Bar length (nose)	35-41 cm/14"-16" (sprocket)	41 cm/16" (sprocket)
Chain (pitch x gauge)	3/8" x .050" Special	3/8" x .050" Special .325" x .050" Microlite
Oil pump	automatic/zero flow rate at idle speed	automatic/adjustable/zero flow rate at idle speed
Oil/fuel tank capacity	0.22 L/0.32 L	0.22 L/0.32 L
Sound pressure/power level	100.4/110.9 dB(A)	100.2/111.2 dB(A)
Lh/rh vibration level	5.2/6.5 m/s ²	5.1/5.9 (3/8") 4.6/5.2 (.325")
Dry weight without bar and chain	4.7 kg	4.7 kg

MT series petrol engine Chainsaws

Medium power

The medium power petrol engine chainsaws are sufficiently compact for intensive use and compatible with frequent use. Designed to accommodate the needs of the most demanding users on farmland, woodland, as well as in the garden. The versatility combined with an excellent power-weight ratio guarantee optimal cutting performance in all types of applications, such as limbing, pruning and cutting of medium-size trunks. These chainsaws are designed to offer exceptional performance for demanding tasks, from gardening to agriculture.



Piston with 2 rings, forged and machined steel crankshaft and connecting rod, needle roller bearings, nickel-plated cylinder: constant efficiency through time, even when undertaking heavy work schedules.



Nylon filter: the large filtration surface increases working time between filter cleaning operations.



The EasyLift oil and mixture caps are the most practical solution for fast fluid top-up. The conveniently folding rear handgrip is ergonomic and ensures easy use of the filler caps without the need for tools.



The cylinder of model **MT 4510** allows exhaust gas recirculation and is optimised to allow appreciable reductions of fuel consumption.



MT 4510

MT 5200

Power/Displacement	2.9 HP - 2.1 kW/42.9 cm ³	3.4 HP - 2.5 kW/51.7 cm ³
Bar length (nose)	41-46 cm/16"-18" (sprocket - microlite)	41-46 cm/16"-18" (sprocket)
Chain (pitch x gauge)	.325" x .050"	.325" x .058"
Oil pump	automatic/adjustable/zero flow rate at idle speed	automatic/adjustable/zero flow rate at idle speed
Oil/fuel tank capacity	0.22 L/0.32 L	0.27 L/0.5 L
Sound pressure/power level	103/114 dB(A)	104.4/112.9 dB(A)
Lh/rh vibration level	4.3/4.8 m/s ²	5.2/5.5 m/s ²
Dry weight without bar and chain	4.8 kg	5.4 kg

MT series petrol engine Chainsaws

Professional

The professional chainsaws are powerful machines designed for felling, cutting and sectioning large trees. The variable advance digital coil with rpm limiter guarantees a smooth-running engine and improved cooling, even in difficult weather conditions. The handle and fuel tank are separate from the machine body, thus reducing the fuel/oil mixture temperature and minimising the transmission of vibration. The aluminium oil pump is automatic and adjustable so the flow rate can be adapted in accordance with the task to be performed, thus avoiding wastage.



The EasyLift oil and mixture caps are the most practical solution for fast fluid top-up. The conveniently folding rear handgrip is ergonomic and ensures easy use of the filler caps without the need for tools.



Nylon filter: the large filtration surface increases working time between filter cleaning operations.



Decompression valve: facilitates engine starting without kick-back, reducing operator effort.



OnBoard clutch: quick fitting of bar and chain, cleaner clutch for lasting performance.



MT 6300

MT 6500

MT 6510

	MT 6300	MT 6500	MT 6510
Power/Displacement	4.7 HP – 3.5 kW/63.2 cm ³	4.7 HP – 3.5 kW/63.4 cm ³	4.7 HP – 3.5 kW/63.4 cm ³
Bar length (nose)	46-51 cm /18"-20" (replaceable sprocket)	46-51 cm /18"-20" (replaceable sprocket) 51-61-71 cm /20"-24"-28" (stellite)	46-51 cm /18"-20" (replaceable sprocket)
Chain (pitch x gauge)	3/8" x .058"	3/8" x .058"	3/8" x .058"
Oil pump	automatic/adjustable/zero flow rate at idle speed	automatic/adjustable/zero flow rate at idle speed	automatic/adjustable/zero flow rate at idle speed
Oil/fuel tank capacity	0.35 L/0.70 L	0.45 L/0.80 L	0.45 L/0.80 L
Sound pressure/power level	104.1/115 dB(A)	103.3/112 dB(A)	103.3/112 dB(A)
Lh/rh vibration level	5.9/6.8 m/s ²	5.3/5.3 m/s ²	5.3/5.3 m/s ²
Dry weight without bar and chain	5.8 kg	6.5 kg	6.5 kg

H series pruners

These pruners are designed to easily solve the problem of cutting and limbing at height, while at the same time guaranteeing a constantly comfortable and safe working position: these tools eliminate the need for access solutions such as ladders and platforms of various types once and for all. If you want the best value for money, the **PTH 2500** model is an excellent choice. Lightweight and easy to handle, it is well suited for jobs around the home and on smallholdings.



Piston with 2 elastic rings, forged and machined steel crankshaft and connecting rod, needle roller bearings, nickel plated cylinder: constant high efficiency guaranteed over time, even when undertaking heavy work schedules.



Exceptional reliability thanks to the Ø 8mm rigid drive shaft running on 6 self-lubricating plain bearings.



AlwaysOn switch: rapid engine stopping, and thanks to the autoreset function, always ready to restart.



PTH 2500

Power/Displacement	1.2 HP – 0.9 kW/25.4 cm ³
Pruner adjustment	fixed implement
Bar length (nose)	25 cm/10" (sprocket)
Chain (pitch x gauge)	3/8" x .050"
Overall length of machine	2.05 m
Sound pressure/power level	96.0/110.7 dB(A)
Lh/rh vibration level	1.4/1.4 m/s ²
Dry weight of complete tool without bar and chain	5.4 kg

Telescopic pruners

Telescopic pruners are the ideal tools for cutting and limbing at height, while at the same time ensuring a constantly comfortable and safe working position. Suitable for use in woodland, in rural surroundings and in urban open spaces, they eliminate the need for access solutions such as ladders and platforms of various types once and for all. Thanks to the telescopic pole that can be extended up to 3.12 metres, they can reach branches up to 5 metres from the ground. The **PTX 2710** pruner can be adjusted to 5 intermediate angles from 0° to 90°, thanks to a device that allows excellent performance in any working position and allows a far clearer view of the cutting area. Model **PTX 2750** is equipped with pruner and 1/4" carving bar with sprocket tip and 30 cm cutting length, which can penetrate the thickest branches due its low weight and compactness. The engine shroud features an aluminium support affording superior mechanical strength. The professional oil pump ensures constant lubrication of the cutting assembly.



Piston with 2 rings, nickel-plated diecast cylinder, forged connecting rod and crankshaft: all features guaranteed to make the engine extremely rugged and durable.



Straightforward pruner fixing system: with 5 alternative cutting positions (from 0° to 90°) for maximum visibility of the operating area and greater precision (**PTX 2710**).



AlwaysOn switch: rapid engine stopping and, thanks to the autoreset function, always ready to restart.



Aluminium clutch housing and cover: optimised and reduced weight of the machine while imparting high strength and lasting reliability.



PTX 2710

PTX 2750

Power/Displacement	1.3 HP – 1.0 kW/27.0 cm ³	1.3 HP – 1.0 kW/27.0 cm ³
Adjustment of pruning head	from 0° to 90° (5 positions)	fixed
Bar length (nose)	25 cm/10" (microlite sprocket)	30 cm/12" (sprocket)
Chain (pitch x gauge)	3/8" x .043"	1/4" x .043"
Overall length of machine	2.60 m/3.80 m	2.65 m/3.85 m
Sound pressure/power level	97.0/107.5 dB(A)	97.0/107.5 dB(A)
Lh/rh vibration level	4.2/5.9 m/s ²	4.2/5.9 m/s ²
Dry weight of complete tool without bar and chain	7.9 kg	7.4 kg



Available from summer 2024

Accessories for Chainsaws and Pruners - Description of chains

Chain type	Pitch	Tooth design	Gauge				Bar length
			.043"	.050"	.058"	.063"	
			1.1 mm	1.3 mm	1.5 mm	1.6 mm	
	3/8		N143C-K				12" (30 cm)
	1/4		E143MC-K				10" (25 cm)
	1/4			E650MC-K			up to 16" (40 cm)
	3/8 LOW PRO		N143C-K				from 12" to 16" (from 30 to 40 cm)
	3/8 LOW PRO			N150C-N			
	3/8 LOW PRO			N150C-K			
	.325			K250C-N			from 11" to 20" (from 28 to 50 cm)
	.325			K250C-K			
	.325				K258C-N		
	.325				K258C-K		
	.325					K263C-N	
	.325			K250NK-K			from 13" to 18" (from 33 to 45 cm)
	.325			K250L-N	K258L-N	K263L-N	from 11" to 20" (from 28 to 50 cm)
	3/8			A350EP-N			up to 36" (up to 90 cm)
	3/8				A358EP-N		
	3/8					A363EP-N	
	3/8				A358EP-K		from 13" to 24" (from 33 to 60 cm)
	3/8				A358LM-N		
	3/8					A363LM-N	
	404					B463EP-N	

HOW TO IDENTIFY A CHAIN	K		50		C		K		072		EOM	
	.325"	.050"	Semi-Chisel	Anti-kickback tooth	#	N° links reel length	Loop boxes, reels					
Pitch	Gauge	Tooth type		Anti-kickback protection								
A	3/8"	50	.050" (1.3 mm)	C	Semi-Chisel	K				EOM		
B	.404	58	.058" (1.5 mm)	EP	Type "E" professional (Semi-Chisel)	N				EEF		
E	1/4"	63	.063" (1.6 mm)	LM	Magna Chisel (PRO-CHISEL)					REM		
K	.325"	43	.043" (1.1 mm)	MC	Micro Chisel							
N	3/8" Lo Pro			NK	Narrow Kerf							

Accessories for Chainsaws and Pruners - Description of chains

									Description
		Electric chainsaws	Petrol chainsaws						
			< 35 cc	35 - 45 cc	45 - 60 cc	> 60 cc			
●	●	●	●	●				Recommended for small and medium displacement chainsaws. Clean cut, high performance. Installed on pruner chainsaws.	
●		●	●	●				Compact, lightweight and strong. The bar-chain combination offers a weight reduction of around 15% compared to a traditional chain.	
●	●	●	●	●				Maximum performance level. Ideal for intensive pruning work.	
●		●	●	●				Developed for DIY applications. Guarantees low vibration and maximum safety thanks to the anti-kickback tooth.	
	●	●		●	●	●	●	Lightweight and high performance. This chain was developed for professionals who need an .325" pitch chainsaw.	
	●	●		●	●	●		Developed for lightweight chainsaws, guarantees optimal performance and low power absorption.	
	●	●		●	●	●		Developed for professional users requiring an .325" pitch chainsaw.	
		●			●	●	●	Featuring high performance and strength, this chain is specifically designed for demanding professional applications.	
		●			●	●	●	The 3/8 chisel chain has always been the benchmark for professional users.	
		●				●	●	Designed to handle the heaviest duty applications. Unstoppable and super strong.	

Pitch	EMAK	OREGON	CARLTON	WINDSOR						
1/4	E650MC-K	25AP	E1MC-BL	50K	90°	30°	.025	85° - 90°	60°	5/32" - 4.0 mm
3/8 LP	N143C-K	90SG	N4C-BL	43RG						
3/8 LP	N150C-N	91VXL	N1C	50R	90°	35°	.025	85° - 90°	60°	5/32" - 4.0 mm
3/8 LP	N150C-K	91VG	N1C-BL	50RG						
.325	K250C-N/K	20BPX	K1C-K1C-BL	50J - 50JG						
.325	K258C-N/K	21BPX	K2C-K2C-BL	58J - 58JG	90°	30°	.025	80° - 90°	60°	3/16" - 4.8 mm
.325	K263C-N	22BPX	K3C	63J - 63JG						
.325	K250NK	95VPX	K1NK-BL	50JSG						
.325	K250L-N	20LPX	K1L	50JL						
.325	K258L-N	21LPX	K2L	58JL	80°	30°	.025	85° - 90°	60°	11/64" - 4.5 mm
.325	K263L-N	22LPX	K3L	63JL						
3/8	A350EP-N	72D - 72DP	A1EP	50A						
3/8	A358EP-N	73D - 73DP	A2EP	58A	90°	35°	.025	85° - 90°	60°	7/32" - 5.5 mm
3/8	A363EP-N	75D - 75DP	A3EP	63A						
3/8	A358EP-K	73V	A2EP-GL							
3/8	A358LM-N	73LGX	A2LM	58APL	80°	30°	.025	80° - 90°	60°	7/32" - 5.5 mm
3/8	A363LM-N	75LGX	A3LM	63APL						

Accessories for Chainsaws and Pruners - Guide-bars and chains



Machines	Guide bars			Chains				Reels Emak 100 ' (Ft) Reels Emak 25 ' (Ft)			
	Material	Length	Part code	Pitch x gauge	N. links Type	Type	Part code	Type	Part code		
MTi 30		12" - cm 30	54050044R	.3/8" x .043" (1.1mm)	45-90 PX	N143C-K-045E	30629541	N143C-K-100REM N143C-K-025REM	3063037A 3063023A*		
MTTH 2400		10" - cm 25	50350131R	.3/8" x .050" (1.3mm)	40-91 PX	N150C-K-040E	30629521A	N150C-K-100REM N150C-N-100REM N150C-N-025REM	3063022A 3063021A 3063035A*		
			50350222R	.1/4" x .043" (1.1mm)	Q43-56 PB	EMAK	30629544				
MTT 2500		10" - cm 25	3061025R	.1/4" x .043" (1.1mm)	60-A4SMB	EMAK	3062055R				
			3061026R	.1/4" x .043" (1.1mm)	60-A4SMB	EMAK	3062055R				
			50290132R	.1/4" x .050" (1.3mm)	58-25 AP	E650MC-K-058E	30629540A	E650MC-K-100REM E650MC-K-025REM	3063013BR 3063029A*		
			50030353R	.1/4" x .050" (1.3mm)	60-25 AP	E650MC-K-060E	30629532A				
MTT 3600		12" - cm 30	50030233R	.3/8" x .050" (1.3mm)	45-91 VG	N150C-K-045E	30629522A	N150C-K-100REM N150C-N-100REM N150C-N-025REM	3063022A 3063021BR 3063035A*		
		14" - cm 35	50030212R		52-91 VG	N150C-K-045E	30629518A				
MT 3710		14" - cm 35	50030212R	.3/8" x .050" (1.3mm)	52-91 VG	N150C-K-052E	30629525A 30629520A			N150C-K-100REM N150C-N-100REM N150C-N-025REM	3063022A 3063021BR 3063035A*
		14" - cm 35	50030212R		53-91 VG	N150C-K-053E	30629526A				
		16" - cm 41	50052019R		57-91 VG	N150C-K-057E	30629528A				
MTH 400 / MTH 4000		14" - cm 35	50030212R	.3/8" x .050" (1.3mm)	53-91 VG	N150C-K-053E	30629526A				
		16" - cm 41	50052019R		57-91 VG	N150C-K-057E	30629528A				
MT 4110		14" - cm 35	50030212R	.3/8" x .050" (1.3mm)	52-91 VG	N150C-K-052E	30629525A	N150C-K-100REM N150C-N-100REM N150C-N-025REM	3063015A 3063014BR 3063030A*		
		14" - cm 35	50030212R		52-91 VG	K250C-K-052E	30629520A				
		16" - cm 41	50052019R		57-91 VG	K250C-K-057E	30629528A				
		16" - cm 41	50062014R		.325" x .050" (1.3mm)	66-95 VP	K250C-K-066E			30629508A	
MT 4510		16" - cm 41	50062014R	.325" x .050" (1.3mm)	66-95 VP	K250C-K-066E	30629508A			N250C-K-100REM N250C-N-100REM N250C-N-025REM	3063015A 3063014BR 3063030A*
		18" - cm 46	50230059R		72-95 VP	K250C-K-072E	30629514A				
MT 5200		16" - cm 41	094600332R	.325" x .058" (1.5mm)	66-21 BP			N258C-N-100REM N258L-N-100REM N258C-K-100REM N258C-N-025REM	3063017A 3063019CR 3063018AR 3063032AR*		
		18" - cm 46	094600333R		72-21 BP	K258C-K-072E	30629512A				
		20" - cm 51	50012040R		78-21 BP	K258C-K-078E	30629513A				
MTH 510 / MTH 5100 MTH 560 / MTH 5600		16" - cm 41	93800067	.325" x .050" (1.3mm)	66-95 VP	K250C-K-066E	30629508A				
		18" - cm 46	50310214R		72-95 VP	K250C-K-072E	30629514A				
		20" - cm 51	50310215R	.325" x .058" (1.5mm)	78-21 BP	K258C-K-078E	30629513A			N258C-N-100REM N258L-N-100REM N258C-K-100REM N258C-N-025REM*	3063017A 3063019CR 3063018AR 3063032AR*
		18" - cm 46	60310233R	.3/8" x .058" (1.5mm)	68-73 DP	A358EP-K-068E	30629502A	A358EP-N-100REM A358LM-N-100REM	3063008A 3063010AR		
	20" - cm 51	50310234R	72-73 DP		A358EP-K-072E	30629503A					

Part numbers in bold, series availability. * available while stocks last

Accessories for Chainsaws and Pruners - Guide-bars and chains



Machines	Guide bars			Chains				Reels Emak 100' (Ft) Reels Emak 25' (Ft)			
	Material	Length	Part code	Pitch x gauge	N. links Type	Type	Part code	Type	Part code		
MT 6300		16" - cm 41	50012038R	.325" x .058" (1.5mm)	66-21 BP			N258C-N-100REM N258L-N-100REM N258C-K-100REM K258C-N-025REM*	3063017A 3063019CR 3063018AR 3063032AR*		
		18" - cm 46	50012039R		72-21 BP	K258C-K-072E	30629512A				
		20" - cm 51	50012040R		78-21 BP	K258C-K-078E	30629513A				
		18" - cm 46	50022023R	.3/8" x .058" (1.5mm)	68-73 BP	A358EP-K-068E	30629502A	A358EP-N-100REM A358LM-N-100REM	3063008A 3063010AR		
		20" - cm 51	50022024R		72-73 BP	A358EP-K-072E A358LM-N-072E	30629503A 30629505*				
		22" - cm 56	50022025*		77-73 BP	EMAK	001000754R*				
		18" - cm 46			68-73 BP						
		20" - cm 51	50250119R		72-73 BP	A358EP-K-072E A358LM-N-072E	30629503A 30629505*				
	MT 6500 / MT 6510		18" - cm 46	50250114R	.3/8" x .058" (1.5mm)	68-73 BP	A358EP-K-068E			30629502A	A358EP-N-100REM A358LM-N-100REM
		20" - cm 51	50250115R	72-73 BP		A358EP-K-072E A358LM-N-072E	30629503A 30629505*				
		24" - cm 61	50250116R	84-73 BP							
		20" - cm 51	50250119R	72-73 BP		A358EP-K-072E A358LM-N-072E	30629503A 30629505*				
		24" - cm 61	50250120R	84-73 BP							
		28" - cm 71		92-73 BP							
PTH 2500 / PH 30		10" - cm 25	61542013R	.3/8" x .050" (1.5mm)	40-91 PX	N150C-K-040E	30629521A	N150C-K-100REM	3063022A		
EP 125		12" - cm 30	63090075AR	.1/4" x .043" (1.1mm)	64	EMAK	30629542				
PTX 2710		10" - cm 25	63090031R	.3/8" x .043" (1.1mm)	39-90 SG	N143C-K-039E	30629529A	N143C-K-100REM N143C-K-025REM*	3063037A 3063023A*		
PTX 2750		12" - cm 30	63090075AR	.1/4" x .043" (1.1mm)	64	EMAK	30629542				

Part numbers in bold, series availability. * available while stocks last

Accessories for Chainsaws and Pruners

Guide bars description and key

	Bar	Bar type	Nose	Bar length	Pitch	Gauge			
						.043"	.050"	.058"	.063"
						1.1 mm	1.3 mm	1.5 mm	1.6 mm
	Microlite® Thanks to their reduced thickness and low engine power absorption, Micro-Lite bars are ideal for all types of DIY applications. These guide-bars ensure the maximum lightweight, low vibration, and reduced kickback.	Laminated	Sprocket	10"-12"-16"-18" / 25-30-41-46 cm	.3/8"	●			
					.325"		●		
	Laminated with Sprocket nose Designed for DIY and semi-professional use, are ideal for lightweight, versatile, and highly reliable chain saws. Equipped with a special barrier dam that prevents the loss of oil, these guide-bars ensure perfect lubrication, top performance, and longer working life of both bar and chain.	Laminated	Sprocket	12"-14"-16"-18"-20" / 30-35-41-46-51 cm	.3/8"		●		
					.325"			●	
	Solid with Replaceable Sprocket Nose (Power Match®) Nose Designed for professional applications, are equipped with an efficient oiling system (Lubrijet®) thanks to an angled hole on the bar that is kept clear by the transit of the chain drive links. The replaceable nose is available for .325" and .3/8" pitch chains.	Solid	Replaceable Sprocket Nose	15"-16"-18"-20"-22"-24"-25"-28" / 38-41-46-51-56-61-64-71 cm	.3/8"			●	
					.325"			●	
	Solid with Stellite Nose For professional use, guarantee excellent performance and lifetime even in the most adverse conditions and when subjected to prolonged stress. The stellite bar nose offers the maximum wear resistance. The chains are equipped with an efficient oiling system (Lubrijet®) that features an angled hole on the bar that is kept clear by the transit of the chain drive links.	Solid	Stellite	10"-18"-20"-24"-25"-28"-30" / 25-46-51-61-64-71-76 cm	.1/4"		●		
					.3/8"			●	
	Solid with Stellite Nose For professional use, guarantee excellent performance and a long working lifetime even in the most adverse conditions and when subjected to prolonged stress. The stellite bar nose offers the maximum wear resistance.	Solid	Stellite	30"-36" / 76-91 cm	.404"			●	

Accessories for Chainsaws and Pruners - Sundry



Part number	Machines													
	MTT 30	MT 2000 E	MTH 2400	MT 3710 - MTH 400 - MTH 4000	MT 4110	MT 4510	MT 5200	MTH 510 - MTH 5100 - MTH 560 - MTH 5600	MT 6300	MT 6500 - MT 6510	MTT 2500	MTT 3600	PTH 2500	PTX 2710

Round bars

Special files for sharpening chain cutting edges. Available with various diameters in accordance with the chain to be sharpened. All bars are 8"/200 mm in length. Packing: carton. Quantity per carton: 6. Minimum order: 1 carton.

	Ø 5/32" - 4.0 mm suitable for chain type 91VG, 91S, 90VG, 25AP, 91PL	001000605	o		o	o	o					o	o			
	Ø 11/64" - 4.5 mm suitable for chain type 90SG	001000606												o	o	o
	Ø 3/16" - 4.8 mm suitable for chain type 20BP, 95VP, 21BP, 21LP	001000607							o		o	o				
	Ø 7/32" - 5.6 mm suitable for chain type 59AC, 73DX, 73LP, 73DP	001000608									o	o	o			
	Ø 13/64" - 5.2 mm suitable for chain type 59AC, 73DX, 73LP, 73DP as above, for significantly worn chains	001000592									o	o				

Bar cover

The bar cover is indispensable for operator safety and to prevent chain damage during transport.

	Length 25 cm	W000139												o	o	o
	Length 25-30 cm	50350035R	o		o								o	o	o	o
	Length 35 cm	3063053R				o	o		o				o			
	Length 40 cm	3063054R				o	o	o	o	o	o					
	Length 45 cm	3068058R						o	o	o	o					
	Length 50 cm	3063088R								o	o	o				

Flat files

Files required for sharpening of the depth limiter and to keep it at the correct distance from the cutting edge. Packing: carton. Quantity per carton: 12. Minimum order: 1 carton.

	Length 6" - 150 mm	001000258	o		o	o	o	o	o	o	o	o	o	o	o	o
--	--------------------	------------------	---	--	---	---	---	---	---	---	---	---	---	---	---	---

Harness

Single harness designed for pruners.

	Single harness for pruners	4160463AR												o	o	o
--	----------------------------	------------------	--	--	--	--	--	--	--	--	--	--	--	---	---	---

Precision, safety and freedom of movement: all the ingredients of the perfect cut.

Technology and comfort

With their high performance engine and top-quality blades, **Efco** hedgetrimmers are a guarantee of excellence. Lightweight, powerful and easy to use, these tools are perfect for tackling all types of hedges with clean and accurate cutting action, essential for the aesthetic results of the job and to protect the health of the plants. Ease of use of **Efco** hedgetrimmers is assured also by the Primer and EasyOn devices, designed to facilitate engine starting, even in cold weather conditions.



High quality blades with top cutting edge ensure a clean and precise cut that will not damage vegetation. Equipped with adjustment system for adaptability to any type of foliage.



Professional grade aluminium gear case, drive linkage with pinion carried in bearings and rods with rollers, combining to guarantee long life, low noise and minimal vibration.



EasyOn system to guarantee reduced effort and speed of starting.



Large paper air filter for higher filtration capacity and more effective engine protection, even in dusty conditions.



Anti-vibration system utilizing 4 springs guaranteeing total isolation from the operator's hands.



Rear swivel handle rotatable through 180°: ensures easy trimming even when working at an angle (double-sided blade models only).



Hedgetrimmers

Guide to selection

		HOME	COUNTRYSIDE	WOODLAND	URBAN
CUTTING HEDGES WITH SMALL STEMS	Electric	TG 605 E TG 750 E			
	Battery-powered	TGi 45			
CUTTING LARGE HEDGES WITH DENSE VEGETATION	Professional			TG 2460 P TG 2470 P TGS 2470 P	
	Shaft			DS 2410 H DS 2410 HL	

Electric Hedgetrimmers

Lightweight, compact and agile: the practical electric hedgetrimmers are equipped with a motor that offers performance comparable to the petrol engine models. Electric hedgetrimmers, designed to handle smaller occasional jobs with ease, are the ideal tools for amateur gardeners. Suitable for trimming and pruning medium size hedges or bushes and relatively sparse vegetation, these tools are fitted with a quiet running motor that makes them suitable for use around residential areas.



Double safety switch on the handle for maximum operator safety.



180° swivel handle: allows the tool to be used also when holding it at an angle.



Transparent hand guard for maximum visibility of the work area.



TG 605 E

TG 750 E

	TG 605 E	TG 750 E
Power	0.60 kW	0.70 kW
Voltage	230 V	230 V
Frequency	50 Hz	50 Hz
Type/Blade	double	double
Length/Blade	570 mm	700 mm
Pitch/Blade	30 mm	35 mm
Maximum cutting thickness	15 mm	20 mm
Sound pressure/power level	78/95.4 dB(A)	86/94.9 dB(A)
Lh/rh vibration level	2.3/2.9 m/s ²	< 2.5 m/s ²
Weight	3.6 kg	4.3 kg

Battery-powered Hedgetrimmers

The freedom of movement allowed by the absence of a power cable makes battery-powered hedgetrimmers ideal for duties around the garden. Equipped with high quality laser-treated blades to ensure high cutting precision without damaging vegetation, battery-powered hedgetrimmers are the perfect solution thanks to their ergonomic design and total absence of exhaust emissions. The rugged gearbox ensures reliability and long life, while the batteries provide up to 2 hours of continuous operation so that jobs can be completed on a single charge.



High quality laser-sharpened 45 cm blades.



Very long working times.



Dual action.



TGi 45

Motor type	Brushed
Voltage	40 V
Operating batteries	Bi 2,0 EF / Bi 5,0 EF
Blade type	dual action
Blade length	45 cm
Blade tooth spacing	20 mm
Sound pressure/power level	81.4/90 dB(A)
Lh/rh vibration level	< 2.5 m/s ²
Running time, light use (*)	48' (2.0 Ah) / 120' (5.0 Ah)
Running time, intensive use (*)	36' (2.0 Ah) / 90' (5.0 Ah)
Weight without battery	3.0 kg
Charging time with CRG	88' (2.0 Ah) / 220' (5.0 Ah)
Charging time with FAST CRG	40' (2.0 Ah) / 90' (5.0 Ah)

(*) Indicative data which may vary depending on working conditions and the type of vegetation cut

Professional petrol engine Hedgetrimmers

The professional hedgetrimmers have all the features needed to prune very large and thickly vegetated hedges without problems. Powerful and rugged and yet still light enough to be easily manageable, these models have steel blades and an aluminium gearbox: top quality components that ensure consistently high efficiency through time.



Piston with 2 rings, forged and machined steel crankshaft and connecting rod, needle roller bearings, nickel-plated cylinder: constant efficiency through time, even when undertaking heavy work schedules.



High quality steel blades with top cutting edge: designed to ensure a clean and precise cut that will not damage vegetation. Equipped with adjustment system for adaptability to suit any type of foliage.



The EasyLift mixture cap is the most practical solution for fast fluid top-up. The conveniently folding rear handgrip is ergonomic and ensures easy use of the filler caps without the need for tools.



Single blade deflector for **TGS 2470 P**. Useful for collecting foliage to ensure it doesn't remain lodged in the hedge, hindering the progress of the operator.

58040150



TG 2460 P



TG 2470 P



TGS 2470 P

	TG 2460 P	TG 2470 P	TGS 2470 P
Power	1.0 HP - 0.75 kW	1.0 HP - 0.75 kW	1.0 HP - 0.75 kW
Displacement	21.7 cm ³	21.7 cm ³	21.7 cm ³
Type/Blade	double	double	single
Length/Blade	600 mm	750 mm	750 mm
Pitch/Blade	35 mm	35 mm	35 mm
Sound pressure/power level	98.8/108 dB(A)	98.8/108 dB(A)	98.8/108 dB(A)
Lh/rh vibration level	3.8/4.5 m/s ²	3.8/4.5 m/s ²	6.6/8.6 m/s ²
Weight	5.2 kg	5.4 kg	5.2 kg

Petrol engine shaft Hedgetrimmers

Uneven or steeply sloping terrain and hard-to reach vegetation are no longer a problem for pruning work thanks to the shaft hedgetrimmers. The ergonomic and comfortable handles are equipped with safety switches designed to stop the tool if the operator releases it. High cutting quality is achieved thanks to the double-edge blade, adjustable through 180° with 12 intermediate positions.



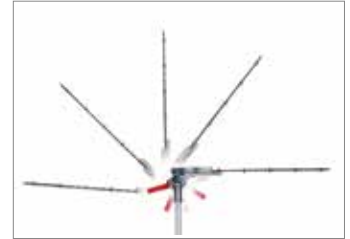
Piston with 2 rings, nickel-plated diecast cylinder, forged connecting rod and crankshaft: all features guaranteed to make the engine extremely rugged and durable.



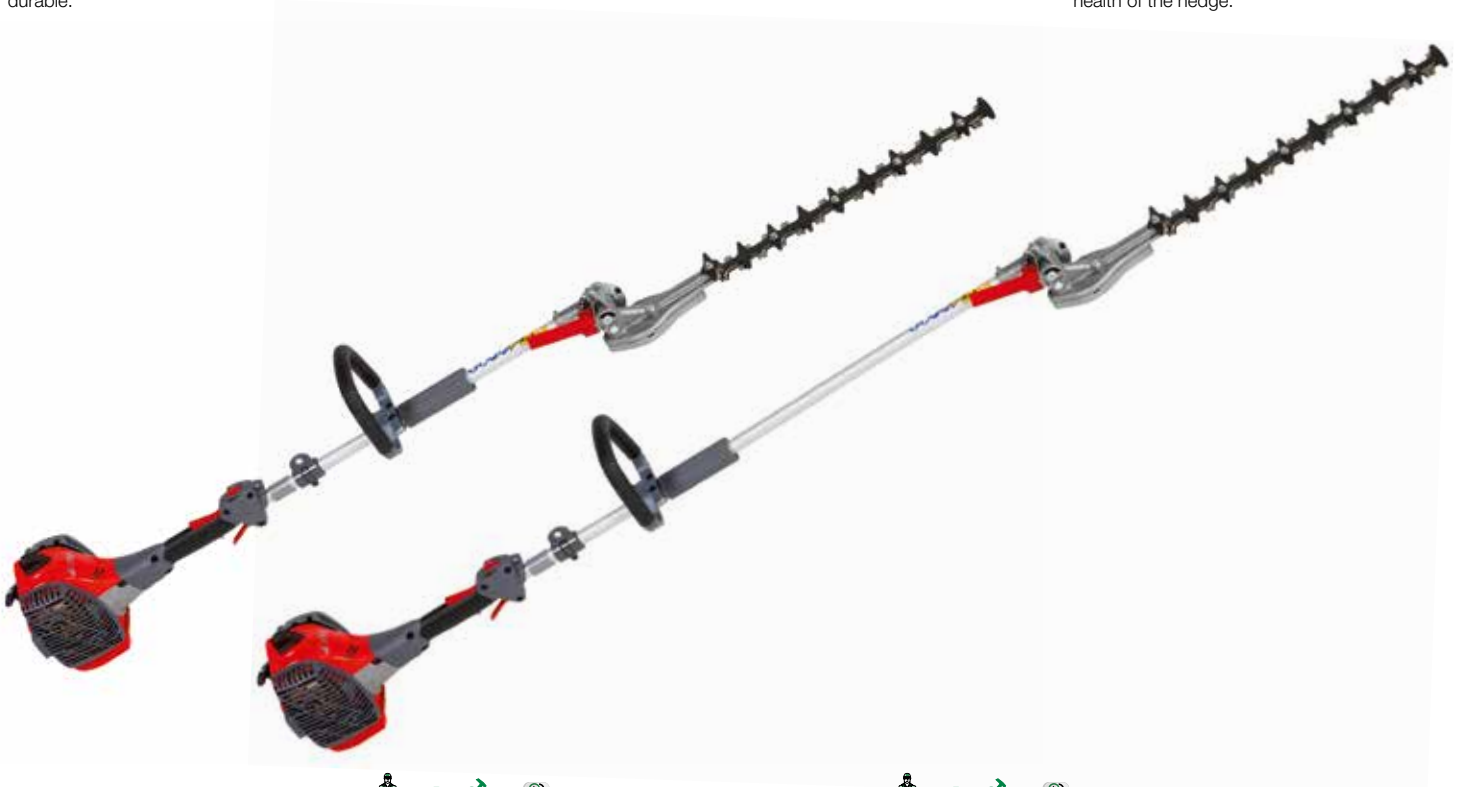
EasyOn starting system: reduces kick-back when starting.



AlwaysOn switch: rapid engine stopping and, thanks to the autoreset function, always ready to restart.



High quality steel blades, rotatable through 12 different positions from 0° to 180°: the blades provide clean and accurate cutting action to safeguard the health of the hedge.



DS 2410 H

DS 2410 HL

Power	1.2 HP - 0.9 kW	1.2 HP - 0.9 kW
Displacement	21.7 cm ³	21.7 cm ³
Type/Blade	double blade, rotatable through 12 positions from 0° to 180°	double blade, rotatable through 12 positions from 0° to 180°
Length/Blade	500 mm	500 mm
Machine overall length	1.8 m	2.4 m
Pitch/Blade	35 mm	35 mm
Sound pressure/power level	93.4/104.7 dB(A)	93.4/104.7 dB(A)
Lh/rh vibration level	8.0/6.5 m/s ²	8.0/6.5 m/s ²
Weight	6.8 kg	7.1 kg

Lawns, ditches, undergrowth:
a perfect cut knows
no obstacles.



Technology and comfort

Efco has designed a brushcutter for all types of cutting and finishing work. **Efco** models are equipped with engines that deliver a high torque even at low speed. The many features of these models, including the self-lubricating bushes and ergonomic handles, ensure the maximum user comfort when working with these tools. Other aspects, such as the generous size of the clutch, the steel composition of the crankshaft or the two piston rings, make our brushcutters safe and reliable workmates that are guaranteed to endure through time. The safety devices provided make **Efco** tools suitable for both professional and home use.



Forged steel crankshaft and piston with two rings: guarantees longer working life.



Ergonomic loop and handles: clad in soft rubber to provide an anatomic and comfortable grip of the tool in all operating conditions.



AlwaysOn on/off system: returns automatically to the start position after each stop, avoiding flooding of the engine.



Filter support with anti-backflow element (Emak patent): prevents the filter from becoming fouled by fuel and guarantees longer operation between filter maintenance procedures.



User-friendly starting EasyOn system that ensures smooth engine pick-up with no kickback and a limited number of pulls.



Large size paper air filter for higher filtration capacity, guaranteeing excellent protection of the engine also in very dusty conditions.



Brushcutters

Guide to selection

		HOME	COUNTRYSIDE	WOODLAND	URBAN
FINISHING OFF THE LAWN ON SMALL AND FLAT GROUND	Electric	8061 8091			
	Battery-powered	DSi 30			
	H series lightweight	DSH 250 / DSH 2500			DSH 250 / DSH 2500
	H series lightweight multifunction	DSH 250 D / DSH 2500 D			DSH 250 D DSH 2500 D
	STARK series lightweight	STARK 25 / STARK 2500			
	DS series lightweight	DS 2410			DS 2410
	DS series lightweight multifunction	DS 2410 D			DS 2410 D
	H series 4-stroke	DSH 3100			DSH 3100
FINISHING OFF THE LAWN ON LARGE TRACTS OF LAND	H series medium power	DSH 400 / DSH 4000 DSH 500 / DSH 5000			DSH 400 / DSH 4000 DSH 500 / DSH 5000
	STARK series medium power	STARK 3810 STARK 4410			
	DS series medium power	DS 2700 DS 3000 DS 3500			DS 2700 DS 3000 DS 3500
	DS series medium power multifunction	DS 3000 D			
FINISHING OFF THE LAWN ON WIDE AND DISCORDANT TERRAIN	Professional	DS 4000 8410 / 8460 / 8530 / 8550 BOSS DS 5300 / DS 5400 DS 5400 BOSS / DS 5500 BOSS			
CUTTING RUSHES, CLEANING THE UNDERGROWTH	Backpack	STARK 4410 8535 DSF 5400 DSF 5500			

Electric Trimmers

Electric trimmers are the perfect tool for clearing small plots of land, combining high performance with easy use. Ranging in power from 600 to 850 W, these tools are particularly indicated for occasional jobs at home, such as tidying the lawn and finishing the edges.



8061



8091

	8061	8091
Power	600 W	850 W
Voltage/Frequency	120-230 V/50-60 Hz	120-230 V/50-60 Hz
Tube diameter	22 mm	22 mm
Grip	single	single
Cutting components	105 mm dia. Tap&Go head with 1.65 mm dia. line	109 mm dia. Tap&Go head with 1.60 mm dia. line
Harness	optional	single
Sound pressure/power level	86/95 dB(A)	87/95 dB(A)
Lh/rh vibration level	5.4/3.1 m/s ²	6.4/6.0 m/s ²
Dry weight without cutting tools	3.7 kg	4.0 kg

Battery-powered Brushcutters

The **DSi 30** is an irreplaceable tool for working around the garden. Combines the low weight and ease of use typical of battery powered tools with the practicality of a Load&Go line head, easily refillable without the use of tools. Performance is fully comparable with that of a medium power petrol engine brushcutter, with 30 cm cutting diameter and 2 mm diameter “Pro-Silent” line.



Rugged and well-balanced handle.



30 cm cutting diameter.



Load&Go head.



DSi 30

Motor type	Brushed
Voltage	40 V
Operating batteries	Bi 2,0 EF / Bi 5,0 EF
Cutting diameter	30 cm
Cutting equipment	103 mm dia. Load&Go line head with 2 mm dia. nylon line
Handle	single, adjustable
Sound pressure/power level	76/87 dB(A)
Lh/rh vibration level	< 2.5 m/s ²
Running time, light use (*)	24' (2.0 Ah) / 60' (5.0 Ah)
Running time, intensive use (*)	16' (2.0 Ah) / 40' (5.0 Ah)
Weight without battery	2.9 kg
Charging time with CRG	88' (2.0 Ah) / 220' (5.0 Ah)
Charging time with FAST CRG	40' (2.0 Ah) / 90' (5.0 Ah)

(*) Indicative data which may vary depending on working conditions and the type of vegetation cut

H series petrol engine Brushcutters

Lightweight

“H” series brushcutters are at the entry level of the **Efco** range. These brushcutters are designed to guarantee the ideal combination of performance and economy, for jobs in home gardens and on smallholdings. Specifically, these compact and lightweight models are perfect for tidying and edging lawns.



Piston with 2 rings, forged and machined steel crankshaft and connecting rod, needle roller bearings, nickel plated cylinder: constant high efficiency guaranteed over time, even when undertaking heavy work schedules.



Exceptional reliability thanks to the Ø 8 mm rigid drive shaft running in 6 self-lubricating plain bearings.



AlwaysOn switch: rapid engine stopping, and thanks to the autoreset function, always ready to restart.



Ø 110 mm Tap&Go EVO line head, Ø 2.4 mm line, Tap&Go operation.



Home Plus Easy AlwaysOn

DSH 250 S



Home Plus Easy AlwaysOn

DSH 250 T

DSH 2500 S

DSH 2500 T

Power/Displacement	1.2 HP - 0.9 kW/25.4 cm ³	1.2 HP - 0.9 kW/25.4 cm ³
Tube diameter	26 mm	26 mm
Grip	single	handlebar
Cutting components	110 mm dia. Tap&Go EVO line head with 2.40 mm line	110 mm dia. Tap&Go EVO line head with 2.40 mm line 255 mm dia. disc with 3 blades
Harness	single	single
Fuel tank capacity	0.64 L	0.64 L
Sound pressure/power level	98/114 dB(A)	98/114 dB(A)
Lh/rh vibration level	5.3/5.5 m/s ²	3.5/4.7 m/s ²
Dry weight without cutting tools	5.8 kg	6.4 kg

H series petrol engine Brushcutters

4-stroke

H-series 4-stroke brushcutters have been designed for cleaning lawns and finishing edges while respecting the environment and keeping noise to a minimum. The 4-stroke engine reduces both fuel consumption and noise emissions compared to 2-stroke models with the same displacement. **DSH** models are available in different configurations: single handgrip, double handgrip and backpack.



Engine with 4-stroke technology and overhead valves (OHV).



Large paper filter with excellent filtration capacity even in dusty environments.



AlwaysOn switch: rapid engine stopping, and thanks to the auto reset function, always ready to restart.



Tap&Go EVO head Ø 130 mm head, 2.4 mm line, Tap & Go operation.



DSH 3100 S

DSH 3100 T

DSH 3100 BP

	DSH 3100 S	DSH 3100 T	DSH 3100 BP
Power/Displacement	1.0 HP - 0.75 kW/31 cm ³	1.0 HP - 0.75 kW/31 cm ³	1.0 HP - 0.75 kW/31 cm ³
Tube diameter	26 mm	26 mm	26 mm
Grip	single	handlebar	single
Cutting components	110 mm dia. Tap&Go EVO line head with 2.40 mm line 255 mm dia. disc with 3 blades	110 mm dia. Tap&Go EVO line head with 2.40 mm line 255 mm dia. disc with 3 blades	110 mm dia. Tap&Go EVO line head with 2.40 mm line 255 mm dia. disc with 3 blades
Harness	single	single	double integrated with backpack
Fuel tank capacity	0.8 L	0.8 L	0.8 L
Sound pressure/power level	93.9/111 dB(A)	93.9/111 dB(A)	94/109 dB(A)
Lh/rh vibration level	4.5/6.1 m/s ²	3.9/3.5 m/s ²	2.8/2.1 m/s ²
Dry weight without cutting tools	7.7 kg	8.0 kg	11.2 kg

H series petrol engine Brushcutters

Medium power

At the entry level of the **Efco** range, “**H**” series brushcutters are designed to provide the perfect compromise of performance and economy for jobs in home gardens and on smallholdings. These models deliver constant torque and power even at low speeds, making them suitable for the most demanding jobs.



Piston with 2 rings, forged and machined steel crankshaft and connecting rod, needle roller bearings, nickel plated cylinder: constant high efficiency guaranteed over time, even when undertaking heavy work schedules.



Exceptional reliability thanks to the Ø 8 mm rigid drive shaft running in 6 self-lubricating plain bearings.



AlwaysOn switch: rapid engine stopping, and thanks to the autoreset function, always ready to restart.



Ø 130 mm Tap&Go EVO line head, Ø 2.4 mm, Tap&Go operation.



EasyStart **AlwaysOn**



EasyStart **AlwaysOn**



EasyStart **AlwaysOn**

DSH 400 T

DSH 400 BP

DSH 4000 S

DSH 4000 T

DSH 4000 BP

Power/Displacement	2.0 HP - 1.5 kW/40.2 cm ³	2.0 HP - 1.5 kW/40.2 cm ³	2.0 HP - 1.5 kW/40.2 cm ³
Tube diameter	26 mm	28 mm	26 mm
Grip	single	handlebar	single
Cutting components	130 mm dia. Tap&Go EVO line head with 2.40 mm line	130 mm dia. Tap&Go EVO line head with 2.40 mm line 255 mm dia. disc with 3 blades	130 mm dia. Tap&Go EVO line head with 2.40 mm line 255 mm dia. disc with 3 blades
Harness	single	double	double
Fuel tank capacity	0.86 L	0.86 L	0.86 L
Sound pressure/power level	95.4/113 dB(A)	95.4/113 dB(A)	95.4/113 dB(A)
Lh/rh vibration level	7.0/5.8 m/s ²	4.5/5.7 m/s ²	4.6/3.3 m/s ²
Dry weight without cutting tools	7.3 kg	8.1 kg (400 T) 8.2 kg (4000 T)	9.9 kg (400 BP) 10.3 kg (4000 BP)

H series petrol engine Brushcutters

Medium power

The top-of-the-range brushcutters in the “H” line are the 50.9 cm³ **DSH** models. Offering a high level of power and linear engine torque even at low revs, they are the go-to choice for the most demanding jobs, such as clearing agricultural land, dense grass, brushwood or shrubs. The technical solutions adopted ensure consistent, long-term quality; **DSH 5000** models are available in three different configurations—single handgrip, handlebar and backpack—to meet the widest variety of user needs.



Piston with 2 rings, forged and machined steel crankshaft and con rod, needle roller bearings, chrome plated cylinder: guaranteed constant efficiency through time, even in the most demanding working conditions.



Rigid drive shaft, Ø 8 mm: exceptional reliability thanks to the rigid drive shaft that runs in 6 self-lubricating bearings.



AlwaysOn system: the ON/OFF switch automatically returns to the ON position after each stop, avoiding the risk of engine flooding.



Tap&Go EVO head: ø 130 mm head equipped with 3.0 mm line, Tap&Go EVO operation.



DSH 500 T

DSH 5000 S

DSH 5000 T

DSH 5000 BP

	DSH 5000 S	DSH 5000 T	DSH 5000 BP
Power/Displacement	2.8 HP – 2.1 kW/50.9 cm ³	2.8 HP – 2.1 kW/50.9 cm ³	2.8 HP – 2.1 kW/50.9 cm ³
Tube diameter	28 mm	32 mm	26 mm
Grip	single	handlebar	single
Cutting components	130 mm dia. Tap&Go EVO line head with 3.00 mm line 255 mm dia. disc with 3 blades	130 mm dia. Tap&Go EVO line head with 3.00 mm line 255 mm dia. disc with 3 blades	130 mm dia. Tap&Go EVO line head with 3.00 mm line 255 mm dia. disc with 3 blades
Harness	single	double professional	double integrated with backpack
Fuel tank capacity	1.10 L	1.10 L	1.10 L
Sound pressure/power level	101.5/116 dB(A)	101.5/116 dB(A)	104.9/115 dB(A)
Lh/rh vibration level	5.3/4.8 m/s ²	7.0/5.7 m/s ²	6.4/4.5 m/s ²
Dry weight without cutting tools	7.9 kg	8.3 kg (500 T) 8.3 kg (5000 T)	11.0 kg

H series petrol engine Brushcutters

Multifunction

As the name suggests, “H” series multifunction brushcutters have multiple uses. Designed to meet the needs of those who occasionally need extra equipment, it combines several high-performance tools in a single machine. As well as pruning bushes, it is very useful for cutting the lawn and trimming hedges. Thanks to the separately purchasable applications and the no-tools quick coupling system, changing activities in the same work session can be done simply and rapidly.



Piston with 2 elastic rings, forged and machined steel crankshaft and connecting rod, needle roller bearings, nickel plated cylinder: constant high efficiency guaranteed over time, even when undertaking heavy work schedules.



Exceptional reliability thanks to the Ø 8mm rigid drive shaft running on 6 self-lubricating plain bearings.



AlwaysOn switch: rapid engine stopping, and thanks to the autoreset function, always ready to restart.



DSH 250 D

DSH 2500 D

Power/Displacement	1.2 HP – 0.9 kW/25.4 cm ³
Shaft arm diameter	26 mm
Handle	single
Tank capacity	0.64 L
Weight of engine unit	4.9 kg

H series petrol engine Brushcutters

Multifunction

Pruner



Machine overall length	2.0 m
Bar length	25 cm/10"
Chain (pitch x gauge)	3/8"x .050"
Oil tank capacity	0.13 L
Shaft arm diameter	26 mm
Sound pressure/power level	96.0/110.7 dB(A)
Lh/rh vibration level	1.4/1.4 m/s ²
Weight of application	1.7 kg



Hedgetrimmer



Machine overall length	2.2 m
Blade length	400 mm
Blades	adjustable through 12 positions from 0° to 180°
Blade pitch	30 mm
Shaft arm diameter	26 mm
Sound pressure/power level	96.5/108.0 dB(A)
Lh/rh vibration level	4.9/5.8 m/s ²
Weight of application	2.2 kg



Brushcutter



Cutting components	110 mm dia. Tap&Go EVO head with 2.40 mm dia. line
Shaft arm diameter	26 mm
Sound pressure/power level	98.0/114.0 dB(A)
Lh/rh vibration level	5.3/5.5 m/s ²
Application weight without cutting tools	1.5 kg



Shaft extension



Weight	0.9 kg
Shaft arm diameter	26 mm
Length	1000 mm



STARK series petrol engine Brushcutters

Lightweight

STARK lightweight brushcutters are recommended for tidying and edging lawns in the garden for home users and in larger open spaces. The robust technological solutions adopted guarantee consistently high quality over time. These brushcutters are available with either a rigid drive shaft or with a curved shaft arm to adapt easily to suit all styles of use.



STARK 25 TR	STARK 2500 TR	STARK 2500 S	STARK 25
STARK 2500 TR	STARK 2500 S	STARK 2500 T	STARK 2500 T

Power/Displacement	1.0 HP - 0.8 kW/25.4 cm ³	1.0 HP - 0.8 kW/25.4 cm ³	1.0 HP - 0.8 kW/25.4 cm ³
Tube diameter	22 mm	26 mm	26 mm
Grip	single	single	handlebar
Cutting components	105 mm dia. Tap&Go head with 2.00 mm dia. line	130 mm dia. Tap&Go head with 2.40 mm dia. line	130 mm dia. Tap&Go head with 2.40 mm dia. line 255 mm dia. disc with 3 blades
Harness	optional	single	single
Fuel tank capacity	0.75 L	0.75 L	0.75 L
Sound pressure/power level	94/107 dB(A)	97/109 dB(A)	97/109 dB(A)
Lh/rh vibration level	7.1/10.1 m/s ²	8.4/8.1 m/s ²	3.7/4.5 m/s ²
Dry weight without cutting tools	4.5 kg	5.6 kg	6.2 kg

STARK series petrol engine Brushcutters

Medium power

Medium power brushcutters are reliable and can handle the tasks of higher power machines on an occasional basis. The **STARK** models are designed to guarantee high efficiency even when used continuously and in difficult environments. The robust technological solutions adopted guarantee consistently high quality over time.



Piston with 2 rings, forged and machined steel crankshaft and connecting rod, needle roller bearings: guaranteed constant efficiency through time, even when undertaking heavy work schedules.



Large size paper air cleaner for enhanced filtration capacity; equipped also with fuel anti-backflow system.



Exceptional reliability thanks to the Ø 8mm rigid drive shaft running in 6 self-lubricating plain bearings.



AlwaysOn switch: rapid engine stopping and, thanks to the autoreset function, always ready to restart.



	STARK 3810 S	STARK 3810 T	STARK 4410 S	STARK 4410 T
--	--------------	--------------	--------------	--------------

Power/Displacement	1.8 HP – 1.3 kW/36.2 cm ³	1.8 HP – 1.3 kW/36.2 cm ³	2.1 HP – 1.6 kW/40.2 cm ³	2.1 HP – 1.6 kW/40.2 cm ³
Tube diameter	28 mm	28 mm	28 mm	28 mm
Grip	single	handlebar	single	handlebar
Cutting components	130 mm dia. Load&Go head with 3.00 mm dia. line	130 mm dia. Load&Go head with 3.00 mm dia. line 255 mm dia. disc with 3 blades	130 mm dia. Load&Go head with 3.00 mm dia. line	130 mm dia. Load&Go head with 3.00 mm dia. line 255 mm dia. disc with 3 blades
Harness	single	double	single	double
Fuel tank capacity	0.87 L	0.87 L	0.87 L	0.87 L
Sound pressure/power level	99/112 dB(A)	99/112 dB(A)	98/107 dB(A)	98/107 dB(A)
Lh/rh vibration level	5.7/6.2 m/s ²	3.7/5.4 m/s ²	6.0/5.5 m/s ²	5.1/5.8 m/s ²
Dry weight without cutting tools	7.2 kg	7.9 kg	7.3 kg	8.0 kg

DS series petrol engine Brushcutters

Lightweight

The lightweight brushcutters are recommended for tending the lawn and finishing the edges, both in home gardens and in larger open spaces. The engine of **DS 2410** models has been upgraded in terms of performance: constant torque and power output also at low speeds for improved working capacity.



Piston with 2 rings, nickel-plated diecast cylinder, forged connecting rod and crankshaft: all features guaranteed to make the engine extremely rugged and durable.



WALBRO digital coil with electronic control and revs limiter: for easier starting, enhanced performance thanks to uniform combustion, and reduced fuel consumption.



The illustrated step-by-step start-up instructions ensure quick and safe starting, even for less expert users (**DS 2410** models).



Home Plus Easy On Always On



Home Plus Easy On Always On

DS 2410 S

DS 2410 T

	DS 2410 S	DS 2410 T
Power/Displacement	1.2 HP - 0.9 kW/21.7 cm ³	1.2 HP - 0.9 kW/21.7 cm ³
Tube diameter	24 mm	24 mm
Grip	single	handlebar
Cutting components	130 mm dia. Load&Go head with 2.40 mm dia. line 255 mm dia. disc with 3 blades	130 mm dia. Load&Go head with 2.40 mm dia. line 255 mm dia. disc with 3 blades
Harness	single	single with cushion
Fuel tank capacity	0.40 L	0.40 L
Sound pressure/power level	91.5/106 dB(A)	91.5/106 dB(A)
Lh/rh vibration level	4.8/4.6 m/s ²	1.5/2.5 m/s ²
Dry weight without cutting tools	4.5 kg	5.2 kg

DS series petrol engine Brushcutters

Medium power

DS 2700, DS 3000 and DS 3500 models are recommended for use by experts engaged in intensive and continuous work, such as gardeners carrying out finishing operations or small grass cutting jobs. High efficiency even under strain, but never impairing the high level of operator comfort and easy handling.



Piston with 2 rings, nickel-plated diecast cylinder, forged connecting rod and crankshaft: all features guaranteed to make the engine extremely rugged and durable.



The EasyLift mixture cap is the most practical solution for fast fluid top-up. The conveniently folding rear handgrip is ergonomic and ensures easy use of the filler caps without the need for tools.



Aluminium clutch housing and cover: optimised and reduced weight of the machine while imparting high strength and lasting reliability.



Ø 130 mm Load&Go head: assures quick and straightforward line replacement – just 20 seconds to rewind the line and resume work.



DS 2700 S	DS 2700 T	DS 3000 S	DS 3000 T	DS 3500 S	DS 3500 T
1.3 HP - 1.0 kW/27 cm ³	1.3 HP - 1.0 kW/27 cm ³	1.5 HP - 1.1 kW/30 cm ³	1.5 HP - 1.1 kW/30 cm ³	1.9 HP - 1.4 kW/36.3 cm ³	1.9 HP - 1.4 kW/36.3 cm ³
26 mm	26 mm	26 mm	26 mm	26 mm	28 mm
single	handlebar	single	handlebar	single	handlebar
130 mm dia. Load&Go line head with 2.40 mm line 255 mm dia. disc with 3 blades	130 mm dia. Load&Go line head with 2.40 mm line 255 mm dia. disc with 3 blades	130 mm dia. Load&Go line head with 2.40 mm line 255 mm dia. disc with 3 blades	130 mm dia. Load&Go line head with 2.40 mm line 255 mm dia. disc with 3 blades	130 mm dia. Load&Go line head with 3.00 mm dia. line 255 mm dia. disc with 3 blades	130 mm dia. Load&Go line head with 3.00 mm dia. line 255 mm dia. disc with 3 blades
single	single with cushion	single	single with cushion	single	double with quick release
0.69 L	0.69 L	0.69 L	0.69 L	0.6 L	0.6 L
93.5/102.8 dB(A)	93.5/102.8 dB(A)	97.7/111.2 dB(A)	97.7/111.2 dB(A)	91.5/106 dB(A)	91.5/106 dB(A)
5.9/5.9 m/s ²	3.1/4.5 m/s ²	6.3/5.4 m/s ²	4.1/4.1 m/s ²	5.2/4.6 m/s ²	4.4/4.4 m/s ²
5.7 kg	6.0 kg	6.0 kg	6.3 kg	6.9 kg	7.6 kg

DS series petrol engine Brushcutters

Multifunction

As the name suggests, multifunction brushcutters have multiple uses. Designed to satisfy the demands of both private and professional users, they combine the performance of different machines in a single tool. As well as pruning bushes, they are very useful for cutting the lawn, trimming hedges and blowing away leaves or debris. Thanks to the separately purchasable applications and the no-tools quick coupling system, changing the activity in the same work session can be done simply and rapidly. The models in the catalogue are available with two engine displacements, both compatible with the same applications.



Piston with 2 rings, nickel-plated diecast cylinder, forged connecting rod and crankshaft: all features guaranteed to make the engine extremely rugged and durable.



WALBRO digital coil with electronic control and revs limiter: for easier starting, enhanced performance thanks to uniform combustion, and reduced fuel consumption.



The EasyLift mixture cap is the most practical solution for fast fluid top-up. The conveniently folding rear handgrip is ergonomic and ensures easy use of the filler caps without the need for tools (**DS 3000 D**).



The "no tools" quick fit system makes it possible to switch between applications easily and without using tools.



DS 2410 D

DS 3000 D

Power/Displacement	1.2 HP – 0.9 kW/21.7 cm ³	1.5 HP – 1.1 kW/30 cm ³
Shaft arm diameter	24 mm (26 mm application side)	26 mm
Handle	single	single
Tank capacity	0.40 L	0.69 L
Weight of engine unit	4.2 kg	4.8 kg

DS series petrol engine Brushcutters

Multifunction

Pruner



Machine overall length	2.0 m
Bar length	25 cm/10"
Chain (pitch x gauge)	3/8"x .043"
Oil tank capacity	0.18 L
Shaft arm diameter	26 mm
Sound pressure/power level	91/102.5 dB(A)
Lh/rh vibration level	7.3/6.6 m/s ²
Weight of application	2.0 kg



Hedgetrimmer



Machine overall length	1.8 m
Blade length	500 mm
Blades	adjustable through 12 positions from 0° to 180°
Blade pitch	35 mm
Shaft arm diameter	26 mm
Sound pressure/power level	93.4/104.7 dB(A)
Lh/rh vibration level	6.2/9.0 m/s ²
Weight of application	2.7 kg



Brushcutter



Cutting components	130 mm dia. Load&Go head with 2.40 mm dia. line 255 mm dia. disc with 3 blades
Shaft arm diameter	26 mm
Sound pressure/power level	91.5/106 dB(A)
Lh/rh vibration level	5.4/5.4 m/s ²
Application weight without cutting tools	1.1 kg



Blower



Air flow rate	600 m ³ /h
Air velocity	60 m/s
Shaft arm diameter	26 mm
Sound pressure/power level	93.4/102 dB(A)
Lh/rh vibration level	3.0/2.9 m/s ²
Weight of application	1.5 kg



Shaft extension



Weight	0.7 kg
Shaft arm diameter	26 mm
Length	750 mm



Professional petrol engine Brushcutters

These tools are ideal for professionals and groundcare operators, also when working on large surface areas. Strong and sturdy, these brushcutters are designed to handle intensive and continuous jobs, such as clearing thick grass, brushwood and shrubs, guaranteeing absolutely consistent quality over time. All models are equipped with a professional 3-tooth blade designed specifically for cutting back undergrowth. The technical features of our models ensure efficiency, high performance and maximum operator comfort in action.



Piston with 2 rings, nickel-plated diecast cylinder, forged connecting rod and crankshaft: all features guaranteed to make the engine extremely rugged and durable.



WALBRO digital coil with electronic control and revs limiter: for easier starting, enhanced performance thanks to uniform combustion, and reduced fuel consumption.



Large size paper air cleaner for enhanced filtration capacity and long working times.



Ø 130 mm Load&Go head: assures quick and straightforward line replacement – just 20 seconds to rewind the line and resume work.



DS 4000 S DS 4000 T 8410 8460

	DS 4000 S	DS 4000 T	8410	8460
Power/Displacement	2.5 HP – 1.83 kW/44 cm ³	2.5 HP – 1.83 kW/44 cm ³	2.1 HP – 1.6 kW/40.2 cm ³	2.5 HP - 1.8 kW/45.7 cm ³
Tube diameter	28 mm	28 mm	28 mm	32 mm
Grip	single	handlebar	handlebar	handlebar
Cutting components	130 mm dia. Load&Go line head with 3.00 mm line 255 mm dia. disc with 3 blades	130 mm dia. Load&Go line head with 3.00 mm line 255 mm dia. disc with 3 blades	130 mm dia. Load&Go line head with 3.00 mm line 255 mm dia. disc with 3 blades	130 mm dia. Load&Go head with 3.00 mm dia. line 305 mm dia. disc with 3 blades
Harness	single	double professional	double	double professional
Fuel tank capacity	0.75 L	0.75 L	0.87 L	1.50 L
Sound pressure/power level	102/108 dB(A)	102/108 dB(A)	98/107 dB(A)	91/104 dB(A)
Lh/rh vibration level	6.0/6.3 m/s ²	5.1/3.4 m/s ²	3.7/5.4 m/s ²	3.7/5.4 m/s ²
Dry weight without cutting tools	7.4 kg	8.3 kg	7.9 kg	8.1 kg

Professional petrol engine Brushcutters

Designed to meet the needs of ground care professionals accustomed to tackling the toughest maintenance schedules in terms of both intensity and duration: clearing of extensive areas, both on flat ground and in hard to access locations, maintenance of green assets in rural areas and, more generally, clearing agricultural land.



AlwaysOn switch: rapid engine stopping and, thanks to the autoreset function, always ready to restart (**DS 5300, DS 5500**).



Aluminium clutch housing and cover: combines strength with lightweight construction, guaranteeing lasting reliability.



Innovative Load&Go ExtraLife head with reinforced knob: ensures extremely quick and simple reload, with just 20 seconds needed to rewind the line and resume cutting operations (**DS 5300, DS 5500**).



DS 5500 BOSS version: features an advanced anti-vibration system anchored with 2 steel springs to reduce the level of vibration transmitted to the operator.



8530	8550 BOSS	DS 5300 S	DS 5300 T	DS 5500 BOSS
2.8 HP - 2.1 kW/52.5 cm ³	2.8 HP - 2.1 kW/52.5 cm ³	3.3 HP - 2.4 kW/51.7 cm ³	3.3 HP - 2.4 kW/51.7 cm ³	3.3 HP - 2.4 kW/51.7 cm ³
32 mm	32 mm	28 mm	32 mm	32 mm
handlebar	handlebar	single	handlebar	handlebar
130 mm dia. Load&Go head with 3.00 mm dia. line 305 mm dia. disc with 3 blades	160 mm dia. Tap&Go head with 3.50 mm dia. line 305 mm dia. disc with 3 blades	130 mm dia. Load&Go ExtraLife head (with metal reinforcement) with 3.00 mm dia. line 300 mm dia. disc with 3 blades	130 mm dia. Load&Go ExtraLife head (with metal reinforcement) with 3.00 mm dia. line 300 mm dia. disc with 3 blades	130 mm dia. Load&Go ExtraLife head (with metal reinforcement) with 3.00 mm dia. line 300 mm dia. disc with 3 blades
double professional	double professional	single	double professional	double professional
1.50 L	1.50 L	1.20 L	1.20 L	1.20 L
93/105 dB(A)	93/105 dB(A)	103.5/113.6 dB(A)	103.5/113.6 dB(A)	103.5/113.6 dB(A)
2.6/3.7 m/s ²	3.7/4.0 m/s ²	6.0/7.1 m/s ²	2.9/5.9 m/s ²	3.5/5.8 m/s ²
8.2 kg	8.5 kg	8.5 kg	9.4 kg	9.9 kg

Professional petrol engine Brushcutters

These are top-of-the-range models because they are designed using the most innovative technical solutions, which ensure high performance, long-lasting durability and maximum operator comfort. They perfectly meet the needs of professional groundskeepers and gardeners engaged in intensive and continuous work, such as cutting thick grass, brushwood and shrubs, or tidying roadside verges. All models are equipped with the professional 3-tooth disc designed specifically for cutting back undergrowth.



EasyStart system: ensures greater comfort and reduces kickback thanks to a double spring inside the starter case.



Hollow drive shaft and magnesium crankcase: lightweight components to improve performance by reducing the overall weight of the machine.



Large-sized air filter in paper and sponge for enhanced filtration capacity and long working times.



Stone guard with a modern, no-frills design, lightened at the front, ensures high visibility and smooth running whether over bumpy terrain or dense undergrowth.



DS 5400 S



DS 5400 T



DS 5400 BOSS

Power/Displacement	3.3 HP - 2.4 kW/51.7 cm ³	3.3 HP - 2.4 kW/51.7 cm ³	3.3 HP - 2.4 kW/51.7 cm ³
Tube diameter	28 mm	32 mm	32 mm
Grip	single	handlebar	handlebar
Cutting components	130 mm dia. Load&Go ExtraLife head (with metal reinforcement) with 3.00 mm dia. line 300 mm dia. disc with 3 blades	130 mm dia. Load&Go ExtraLife head (with metal reinforcement) with 3.00 mm dia. line 300 mm dia. disc with 3 blades	130 mm dia. Load&Go ExtraLife head (with metal reinforcement) with 3.00 mm dia. line 300 mm dia. disc with 3 blades
Harness	single	double professional	double professional
Fuel tank capacity	1.20 L	1.20 L	1.20 L
Sound pressure/power level	ND	ND	ND
Lh/rh vibration level	ND	ND	ND
Dry weight without cutting tools	ND	ND	ND

Available from autumn 2024

Available from autumn 2024

Available from autumn 2024

Backpack petrol engine Brushcutters

The backpack brushcutters are designed to be carried on the shoulders like a backpack, to distribute the weight evenly. They are the ideal tool for professionals seeking a working machine that combines high performance with maximum comfort. These models use an engine housed in a frame and have a longer shaft than the other brushcutters, allowing them to be used even on terrain that is particularly inaccessible or difficult to reach. Thanks to the ergonomic backpack with height-adjustable shoulder straps and lumbar support in breathable material, the operator can enjoy unparalleled freedom for working near ditches, escarpments and undergrowth.



Piston with 2 rings, nickel-plated diecast cylinder, forged connecting rod and crankshaft: all features guaranteed to make the engine extremely rugged and durable.



Innovative Load&Go ExtraLife head with reinforced knob: ensures extremely quick and simple reload, with just 20 seconds needed to rewind the line and resume cutting operations (DSF 5500).



Model DSF 5500 equipped with an ergonomic metal backpack, designed for enhanced comfort. The integral utility tote can accommodate a line head.



Large-sized paper air cleaner for enhanced filtration capacity and long working times.



Only available
in certain markets

STARK 4410 BP

8535 ERGO

DSF 5500

DSF 5400

Power/Displacement	2.1 HP - 1.6 kW/40.2 cm ³	2.8 HP - 2.1 kW/52.5 cm ³	3.3 HP - 2.4 kW/51.7 cm ³	3.3 HP - 2.4 kW/51.7 cm ³
Tube diameter	26 mm	26 mm	26 mm	26 mm
Grip	single	single	single	single
Cutting components	130 mm dia. Load&Go head with 3.00 mm dia. line 255 mm dia. disc with 3 blades	130 mm dia. Load&Go head with 3.00 mm dia. line 255 mm dia. disc with 3 blades	130 mm dia. Load&Go ExtraLife head (with metal reinforcement) with 3.00 mm dia. line 255 mm dia. disc with 3 blades	130 mm dia. Load&Go ExtraLife head (with metal reinforcement) with 3.00 mm dia. line 255 mm dia. disc with 3 blades
Harness	double integrated with backpack	double professional integrated with backpack	double professional integrated with backpack	double professional integrated with backpack
Fuel tank capacity	0.75 L	1.50 L	1.20 L	1.20 L
Sound pressure/power level	96.5/107 dB(A)	93/105 dB(A)	103.4/113.1 dB(A)	ND
Lh/rh vibration level	1.7/2.1 m/s ²	2.5/3.1 m/s ²	2.1/3.4 m/s ²	ND
Dry weight without cutting tools	9.5 kg	12.3 kg	12.5 kg	ND

Available from autumn 2024

Additional tools for Brushcutters - Pruner / Adjustable hedgetrimmers

Pruner PH 30

Model for home gardens, available with 10" guide bar and chain, adaptable to **DSH 250** and **DSH 2500** brushcutters.

Product number **61469208**

PH 30



Pruner EP 120 *

Professional model for intensive use, available with 10" guide bar and chain, adaptable to brushcutters with shaft arm diameter of 26 mm (except for models **STARK 25**, **STARK 2500**, **DSH**).

Product number for version with 10" bar **63090033B**

EP 120



Pruner EP 125 **

Professional model for intensive use, available with 1 1/4" guide bar and 12" chain, adaptable to brushcutters with shaft arm diameter of 26 mm (excluding **STARK 25**, **STARK 2500** and **DSH** models).

Part number for version with 12" guide bar **63090077**

EP 125



Swivel hedgetrimmers HH 30

For use in home gardens, compatible with **DSH 250** and **DSH 2500** brushcutters and **PTH 2500** pruner.

Product number **61469209**

HH 30



Swivel hedgetrimmers EH 48 - EH 50

Compatible with rigid and backpack brushcutters with shaft arm diameter 26 mm (excluding models **STARK 25**, **STARK 2500**, **DSH**).

Model EH 50 (48 cm blade) is particularly suitable for hedge maintenance and can rotate through 270° with numerous fixed positions in between.

Model EH 48 is applicable to brushcutter **DS 2410**.

EH 48 - EH 50



Swivel hedgetrimmers EHC 52

Professional model for intensive use, with 50 cm blade, compatible with rigid and backpack brushcutters with shaft arm diameter of 26 mm (excluding **STARK 25**, **STARK 2500** and **DSH** models) and 24 mm. It is particularly suitable for hedge maintenance and can rotate through 270° with numerous fixed positions in between.

EHC 52



Additional tools for Brushcutters - Pruner / Adjustable hedgetrimmers

Machines	Shaft arm outer Ø	Bevel gear Ø	Pruner			Swivel hedgetrimmers			
			PH 30	EP 120	EP 125	HH 30	EH 48	EH 50	EHC 52
Part number			61469208	63090033B	63090077	61469209	58059012A	58059001B	58059013
8061	22	M8 male							
8091	22	M8 male							
DSi 30	—	—							
DSH 250 S / DSH 2500 S	26	M10 male	○			○			
DSH 250 T / DSH 2500 T	26	M10 male							
DSH 250 D / DSH 2500 D	26	M10 male	○			○			
DSH 3100 S	26	M10 male	○			○			
DSH 3100 T	26	M10 male	○			○			
DSH 3100 BP	26	M10 male	○			○			
DSH 4000 S	26	M10 male							
DSH 400 T / DSH 4000 T	28	M10 male							
DSH 400 BP / DSH 4000 BP	26	M10 male							
DSH 5000 S	28	M10 male							
DSH 500 T / DSH 5000 T	32	M10 male							
DSH 5000 BP	26	M10 male							
STARK 25 TR / STARK 2500 TR	22	M8 male							
STARK 2500 S	26	M8 female							
STARK 25 / STARK 2500 T	26	M8 female							
STARK 3810 S	28	M10 male							
STARK 3810 T	28	M10 male							
STARK 4410 S	28	M10 male							
STARK 4410 T	28	M10 male							
STARK 4410 BP	26	M10 male		○	○			○	○
DS 2410 S	24	M10 male					○		○
DS 2410 T	24	M10 male					○		○
DS 2700 S	26	M10 male		○	○			○	○
DS 2700 T	26	M10 male		○	○			○	○
DS 3000 S	26	M10 male		○	○			○	○
DS 3000 T	26	M10 male		○	○			○	○
DS 2410 D	24	M10 male					○		○
DS 3000 D	26	M10 male		○	○			○	○
DS 3500 S	26	M10 male		○	○			○	○
DS 3500 T	28	M10 male							
DS 4000 S	28	M10 male							
DS 4000 T	28	M10 male							
8410	28	M10 male							
8460 IC	28	M10 male							
8460	32	M10 male							
8530	32	M10 male							
8550 BOSS	32	M10 male							
DS 5300 S / DS 5400 S	28	M10 male							
DS 5300 T / DS 5400 T	32	M10 male							
DS 5500 BOSS / DS 5400 BOSS	32	M10 male							
DSF 4300	26	M10 male		○	○			○	○
8465 ERGO	26	M10 male		○	○			○	○
8535 ERGO	26	M10 male		○	○			○	○
DSF 5500 / DSF 5400	26	M10 male		○	○			○	○

○ compatible tools

Accessories for Brushcutters - Line heads



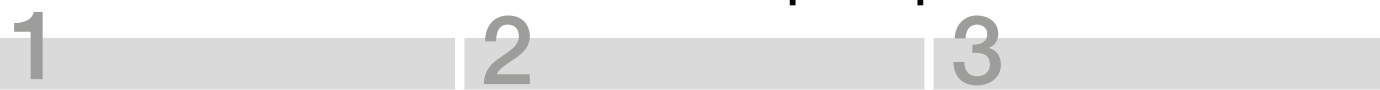
The smart line head: **twenty** seconds to refill,
zero tools required, **zero** difficulties encountered.

Extra life available with the optional metal reinforced cap.

The pack contains	Ø 103 mm	Ø 110 mm	Ø 130 mm	Ø 130 mm	Technical specifications:
Load&Go head	•	•	•	•	- Load&Go easy line refilling system - Tap&Go line feed system - Interchangeable reinforced aluminium eyelets - Reinforced cap with hex socket* - Reinforced plastic body
2.0 mm line	Pro-Silent	-	-	-	
2.4 mm line	-	Greenline	Greenline	o	
3.0 mm line	-	-	Greenline	First	
M10x1.25 adapter, lh female thread	•	•	•	•	
Plastic knob	•	•	•	o	
Metal knob	-	-	o	•	

• standard equipment o compatible tools

Just 20 seconds and 3 simple steps to refill



Load....

align the eyelets. Insert the line in the head through one eyelet and feed it out through the opposite one until obtaining two tails of identical length.



&...

turn the profiled knob counter-clockwise.



Go!

the head is now ready for use.



* When line thickness and length call for more effort to rewind the line.

Insert the spark plug wrench into the corresponding hex socket.

Turn clockwise.

Ø 103 mm	Knob	Code	Line	Standard adapters	Minimum quantity	Engine
	Plastic	63149002	Ø 2.0 mm	M8x1.25 lh female thread	20	20 – 25 cc
Spare parts available						
	Knob	63140005R	-	-	5	
	Reel without line	63140008R	-	-	1	
Ø 110 mm	Knob	Code	Line	Standard adapters	Minimum quantity	Engine
	Plastic	63109001	Ø 2.4 mm	M10x1.25 lh female thread	20	20 – 30 cc
Spare parts available						
	Knob	63100007R	-	-	5	
	Reel without line	63100020R	-	-	1	
Ø 130 mm	Knob	Code	Line	Standard adapters	Minimum quantity	Engine
	Plastic	63129007	Ø 2.4 mm + Ø 3.0 mm	M10x1.25 lh female thread	20	20 – 55 cc
	Metal	63129014	Ø 3.0 mm	M10x1.25 lh female thread	20	30 – 55 cc
Spare parts available						
	Knob	63120007AR	-	-	5	
	Reel without line	63120020AR	-	-	1	
	Reinforced knob	63120030AR	-	-	5	

Accessories for Brushcutters - Line heads

Adapters kit for Tap&Go EVO and Load&Go line heads

The case contains 120 adapters (12 type of insert, different in terms of drive pin characteristics and thread pitch). The compatibility table allows fast identification of the type of line head adapter required in accordance with the make and model of brushcutter, guaranteeing total compatibility with the majority of models produced by the various makers and present on the world market. Dealers can re-order the most popular part codes with a minimum quantity of 10 items.

Universal with 12-adapter kit case				
Tap&Go EVO	Load&Go with plastic cap, metal knob and rapid line refill system			

	Adapters kit	Part code
	Complete kit of 12 adapters compatible with our competitors' models	63120021B







Spare parts available			
	Standard adapters	Part code	Minimum quantity
	M8x1.25LHF	63120046	10
	M10x1LHF	63120047	10
	M10x1.5LHF	63120050	10
	M12x1.25LHF	63120051	10
	M12x1.5LHF	63120052	10
	M10x1.25LHM	63120048	10
	M10x1.5LHM	63120049	10
	M7x1LHM	63120045	10
	3/8-24FLHF	63120054	10
	M12x1.75LHF	63120053	10
	M14x1.5LHF	63120055	10
	M8x1.25LHM	63120042R	10

Available without case in 10-piece kits:

	M10x1.25LHF	63120041R	10
	M8x1.25LHF	63120057	10

Accessories for Brushcutters - Line heads









Tap&Go with 2 nylon lines					
					
	Ø 105 mm, M8x1.25 left hand female shaft thread, anti-clockwise rotation	Ø 105 mm, M8x1.25 left hand female shaft thread, anti-clockwise rotation	Ø 105 mm, M8x1.25 left hand male shaft thread, anti-clockwise rotation	Ø 109 mm, M8x1.25 left hand female shaft thread, anti-clockwise rotation	Ø 130 mm, M8x1.25 left hand female shaft thread, anti-clockwise rotation
Part number	60012020A	61062023A	63029008A	63080011A	4199040CR
				Reel and line	Reel and line
Part number				63080012R	4199045R
line diameter	1.65 mm	2.00 mm	2.00 mm	1.60 mm	2.00 mm
8061	●				
8091	○				
DSi 30					
DSH 250 S / DSH 2500 S					
DSH 250 T / DSH 2500 T					
DSH 250 D / DSH 2500 D					
DSH 3100 S					
DSH 3100 T					
DSH 3100 BP					
DSH 4000 S					
DSH 400 T / DSH 4000 T					
DSH 400 BP / DSH 4000 BP					
DSH 5000 S					
DSH 500 T / DSH 5000 T					
DSH 5000 BP					
STARK 25 TR / STARK 2500 TR		●			
STARK 2500 S			○		
STARK 25 / STARK 2500 T			○		
STARK 3810 S					
STARK 3810 T					
STARK 4410 S					
STARK 4410 T					
STARK 4410 BP					
DS 2410 S					
DS 2410 T					
DS 2700 S					
DS 2700 T					
DS 3000 S					
DS 3000 T					
DS 2410 D					
DS 3000 D					
DS 3500 S					
DS 3500 T					
DS 4000 S					
DS 4000 T					
8410					
8460 IC					
8460					
8530					
8550 BOSS					
DS 5300 S / DS 5400 S					
DS 5300 T / DS 5400 T					
DS 5500 BOSS / DS 5400 BOSS					
DSF 4300					
8465 ERGO					
8535 ERGO					
DSF 5500 / DSF 5400					

● standard equipment ○ compatible tools



Accessories for Brushcutters - Line heads

	Tap&Go EVO			Tap&Go with 2 nylon lines
				
	Ø 110 mm, M8x1.25 left hand male shaft thread, + M10x1.25 left hand female shaft thread, anti-clockwise rotation	Ø 130 mm, M8x1.25 left hand male shaft thread, + M10x1.25 left hand female shaft thread, anti-clockwise rotation	Ø 130 mm, M10x1.25 left hand female shaft thread, anti-clockwise rotation	Ø 160 mm, M10x1.25 left hand female shaft thread, anti-clockwise rotation
Part number	61469101	61459101	61459103	61112061A
				
Part number	Reel without line 61460023	Reel without line 63120010R	Reel without line 63120010R	
				
Part number	Plastic knob 61460022	Plastic knob 63120011R	Plastic knob 63120011R	Reel and line 63032003BR
line diameter	2.40 mm	2.40 mm	3.00 mm	3.50 mm
8061				
8091				
DSi 30				
DSH 250 S / DSH 2500 S	●			
DSH 250 T / DSH 2500 T	●			
DSH 250 D / DSH 2500 D	●			
DSH 3100 S	●			
DSH 3100 T	●			
DSH 3100 BP	●			
DSH 4000 S		●	○	
DSH 400 T / DSH 4000 T		●	○	
DSH 400 BP / DSH 4000 BP		●	○	
DSH 5000 S		○	●	
DSH 500 T / DSH 5000 T		○	●	
DSH 5000 BP		○	●	
STARK 25 TR / STARK 2500 TR				
STARK 2500 S		○		
STARK 25 / STARK 2500 T		○		
STARK 3810 S		○	○	
STARK 3810 T		○	○	
STARK 4410 S		○	○	
STARK 4410 T		○	○	
STARK 4410 BP		○	○	
DS 2410 S		○		
DS 2410 T		○		
DS 2700 S		○		
DS 2700 T		○		
DS 3000 S		○		
DS 3000 T		○		
DS 2410 D		○		
DS 3000 D		○		
DS 3500 S		○	○	
DS 3500 T		○	○	
DS 4000 S		○	○	○
DS 4000 T		○	○	○
8410		○	○	○
8460 IC		○	○	○
8460		○	○	○
8530		○	○	○
8550 BOSS		○	○	●
DS 5300 S / DS 5400 S		○	○	○
DS 5300 T / DS 5400 T		○	○	○
DS 5500 BOSS / DS 5400 BOSS		○	○	●
DSF 4300		○	○	
8465 ERGO		○	○	
8535 ERGO		○	○	
DSF 5500 / DSF 5400		○	○	

● standard equipment ○ compatible tools

Accessories for Brushcutters - Line heads



Universal multi-line with 4 and 8 lines		
	 Ø 4.7"/120 mm, 4 lines Platin-Cut, 20-25.4 mm bore "MultiLine Pro Head" in aluminium 63119003	 Ø 3.15"/80 mm, 8 four-lobed trimmer lines 20-25.4 mm hole "superpro" aluminium 4180057
Part number	63119003	4180057
 Part number	 Set of 50 lines, four-lobed section, 3.5 mm dia., length 300 mm	
 Part number	4180965C	
line diameter	3.50 mm	3.50 mm
8061		
8091		
DSi 30		
DSH 250 S / DSH 2500 S		
DSH 250 T / DSH 2500 T		
DSH 250 D / DSH 2500 D		
DSH 3100 S		
DSH 3100 T		
DSH 3100 BP		
DSH 4000 S	○	○
DSH 400 T / DSH 4000 T	○	○
DSH 400 BP / DSH 4000 BP	○	○
DSH 5000 S	○	○
DSH 500 T / DSH 5000 T	○	○
DSH 5000 BP	○	○
STARK 25 TR / STARK 2500 TR		
STARK 2500 S		
STARK 25 / STARK 2500 T		
STARK 3810 S	○	○
STARK 3810 T	○	○
STARK 4410 S	○	○
STARK 4410 T	○	○
STARK 4410 BP	○	○
DS 2410 S		
DS 2410 T		
DS 2700 S		
DS 2700 T		
DS 3000 S		
DS 3000 T		
DS 2410 D		
DS 3000 D		
DS 3500 S	○	○
DS 3500 T	○	○
DS 4000 S	○	○
DS 4000 T	○	○
8410	○	○
8460 IC	○	○
8460	○	○
8530	○	○
8550 BOSS	○	○
DS 5300 S / DS 5400 S	○	○
DS 5300 T / DS 5400 T	○	○
DS 5500 BOSS / DS 5400 BOSS	○	○
DSF 4300	○	○
8465 ERGO	○	○
8535 ERGO	○	○
DSF 5500 / DSF 5400	○	○

● standard equipment ○ compatible tools





Accessories for Brushcutters - Line heads

Load&Go with plastic cap, metal knob and rapid line refill system					
	Ø 103 mm, M8x1.25 left hand female shaft thread, anti-clockwise rotation	Ø 110 mm, M10x1.25 left hand female shaft thread, anti-clockwise rotation	Ø 130 mm, plastic knob, 1 insert M10x1.25 left hand female shaft thread, line Ø 2.40 and 3.00 mm, anti-clockwise rotation	Ø 130 mm, metal knob, 1 left hand female shaft thread M10x1.25 insert, Ø 3.00 mm line, anti-clockwise rotation	
Part number	63149002	63109001	63129007	63129014	
Part number	Reel without line 63100020R	Reel without line 63100020R	Reel without line 63120020AR	Reel without line 63120020AR	
Part number	Plastic knob 63140005R	Plastic knob 63100007R	Plastic knob 63120007AR	Plastic knob 63120007AR	
Part number			Optional metal knob 63120030AR	Standard metal knob 63120030AR	
line diameter	2.00 mm	2.40 mm	2.40 mm	3.00 mm	3.00 mm
8061					
8091	○ + 63120057				
DSi 30	●				
DSH 250 S / DSH 2500 S		○			
DSH 250 T / DSH 2500 T		○			
DSH 250 D / DSH 2500 D		○			
DSH 3100 S		○			
DSH 3100 T		○			
DSH 3100 BP		○			
DSH 4000 S			○	○	
DSH 400 T - DSH 4000 T			○	○	
DSH 400 BP - DSH 4000 BP			○	○	
DSH 5000 S			○	○	
DSH 500 T / DSH 5000 T			○	○	
DSH 5000 BP			○	○	
STARK 25 TR / STARK 2500 TR					
STARK 2500 S			○		
STARK 25 / STARK 2500 T			○		
STARK 3810 S				●	○
STARK 3810 T				●	○
STARK 4410 S				●	○
STARK 4410 T				●	○
STARK 4410 BP				●	○
DS 2410 S	○	○	●		
DS 2410 T	○	○	●		
DS 2700 S		○	●		
DS 2700 T		○	●		
DS 3000 S		○	●		
DS 3000 T		○	●		
DS 2410 D	○	○	●		
DS 3000 D		○	●		
DS 3500 S			○	●	○
DS 3500 T			○	●	○
DS 4000 S				●	
DS 4000 T				●	
8410			○	●	○
8460 IC				●	○
8460				●	○
8530				●	○
8550 BOSS				○	○
DS 5300 S / DS 5400 S				○	●
DS 5300 T / DS 5400 T				○	●
DS 5500 BOSS / DS 5400 BOSS				○	○
DSF 4300			○	●	○
8465 ERGO				●	○
8535 ERGO				●	○
DSF 5500 / DSF 5400				●	○

● standard equipment ○ compatible tools






Accessories for Brushcutters - Blades



Part number	Special steel blades for grass cutting		3-tooth blades in special steel	
				
	4095567BR	4095675BR	4095637BR	4095638BR
	Ø 10"/255 mm, thickness 1.6 mm, bore 25.4 mm	Ø 12"/305 mm, thickness 2.5 mm, bore 25.4 mm	Ø 9"/230 mm, thickness 1.4 mm, bore 25.4 mm	Ø 10"/255 mm, thickness 1.4 mm, bore 25.4 mm
8061				
8091				
DSi 30				
DSH 250 S / DSH 2500 S			○	○
DSH 250 T / DSH 2500 T			○	○
DSH 250 D / DSH 2500 D			○	○
DSH 3100 S			○	○
DSH 3100 T			○	○
DSH 3100 BP			○	○
DSH 4000 S	○	○	○	○
DSH 400 T / DSH 4000 T	○	○	○	○
DSH 400 BP / DSH 4000 BP	○	○	○	○
DSH 5000 S	○	○	○	○
DSH 500 T / DSH 5000 T	○	○	○	○
DSH 5000 BP	○	○	○	○
STARK 25 TR / STARK 2500 TR				
STARK 2500 S			○	○
STARK 25 / STARK 2500 T			○	○
STARK 3810 S				
STARK 3810 T				
STARK 4410 S				
STARK 4410 T		○		○
STARK 4410 BP	○			○
DS 2410 S			○	○
DS 2410 T			○	○
DS 2700 S			○	○
DS 2700 T			○	○
DS 3000 S	○			○
DS 3000 T	○			○
DS 2410 D				
DS 3000 D	○			○
DS 3500 S	○			○
DS 3500 T	○			○
DS 4000 S				○
DS 4000 T		○		○
8410		○		○
8460 IC		○		○
8460		○		○
8530		○		○
8550 BOSS		○		○
DS 5300 S / DS 5400 S		○		○
DS 5300 T / DS 5400 T		○		○
DS 5500 BOSS / DS 5400 BOSS		○		○
DSF 4300		○		○
8465 ERGO		○		○
8535 ERGO		○		○
DSF 5500 / DSF 5400		○		○

● standard equipment ○ compatible tools

Accessories for Brushcutters - Blades

Part number	3-tooth blades in tempered steel		4-tooth blades in tempered steel		
					
	4095673BR	4095674BR	4095681AR	4095568BR	4095563BR
	Ø 10"/255 mm, thickness 1.8 mm, bore 25.4 mm	Ø 12"/305 mm, thickness 2.4 mm, bore 25.4 mm	8"/200 mm dia., thickness 2.0 mm, bore 25.4 mm	Ø 9"/230 mm, thickness 1.4 mm, bore 25.4 mm	Ø 10"/255 mm, thickness 1.4 mm, bore 25.4 mm
8061					
8091					
DSi 30					
DSH 250 S / DSH 2500 S	○		○	○	○
DSH 250 T / DSH 2500 T	●		○	○	○
DSH 250 D / DSH 2500 D	○		○	○	○
DSH 3100 S					
DSH 3100 T					
DSH 3100 BP					
DSH 4000 S	○	○	○		○
DSH 400 T / DSH 4000 T	●	○	○		○
DSH 400 BP / DSH 4000 BP	○		○		○
DSH 5000 S	●	○	○		○
DSH 500 T / DSH 5000 T	●	○	○		○
DSH 5000 BP	●		○		○
STARK 25 TR / STARK 2500 TR					
STARK 2500 S	○		○	○	○
STARK 25 / STARK 2500 T	●		○	○	○
STARK 3810 S	○				
STARK 3810 T	●				
STARK 4410 S	●	○			
STARK 4410 T	●	○			○
STARK 4410 BP	●				○
DS 2410 S	●		○	○	○
DS 2410 T	●		○	○	○
DS 2700 S	●			○	○
DS 2700 T	●			○	○
DS 3000 S	●			○	○
DS 3000 T	●			○	○
DS 2410 D	●				
DS 3000 D	●			○	○
DS 3500 S	●				○
DS 3500 T	●				○
DS 4000 S	●	○			○
DS 4000 T	●	○			○
8410	●	○			○
8460 IC	○	○			○
8460	○	○			○
8530	○	○			○
8550 BOSS	○	○			○
DS 5300 S / DS 5400 S	○	○			○
DS 5300 T / DS 5400 T	○	○			○
DS 5500 BOSS / DS 5400 BOSS	○	○			○
DSF 4300	●	○			○
8465 ERGO	●	○			○
8535 ERGO	●	○			○
DSF 5500 / DSF 5400	●	○			○

● standard equipment ○ compatible tools

Accessories for Brushcutters - Blades








Part number	8-tooth blades in tempered steel		22-tooth blades in tempered steel	60-tooth blades in tempered steel	
	4095565BR	4095065BR	4095666BR	4095636BR	4095635BR
	Ø 9"/230 mm, thickness 1.4 mm, bore 25.4 mm	Ø 10"/255 mm, thickness 1.4 mm, bore 25.4 mm	Ø 8"/200 mm, thickness 1.6 mm, bore 25.4 mm	Ø 9"/230 mm, thickness 1.4 mm, bore 25.4 mm	Ø 10"/255 mm, thickness 1.4 mm, bore 25.4 mm
8061					
8091					
DSi 30					
DSH 250 S / DSH 2500 S	○				
DSH 250 T / DSH 2500 T	○				
DSH 250 D / DSH 2500 D	○				
DSH 3100 S					
DSH 3100 T					
DSH 3100 BP					
DSH 4000 S					
DSH 400 T / DSH 4000 T					
DSH 400 BP / DSH 4000 BP					
DSH 5000 S					
DSH 500 T / DSH 5000 T					
DSH 5000 BP					
STARK 25 TR / STARK 2500 TR					
STARK 2500 S	○				
STARK 25 / STARK 2500 T	○				
STARK 3810 S					
STARK 3810 T					
STARK 4410 S					
STARK 4410 T	○	○	○	○	○
STARK 4410 BP				○	○
DS 2410 S	○	○			
DS 2410 T	○	○			
DS 2700 S	○				
DS 2700 T	○				
DS 3000 S	○	○			
DS 3000 T	○	○			
DS 2410 D					
DS 3000 D	○	○			
DS 3500 S	○	○		○	○
DS 3500 T	○	○		○	○
DS 4000 S	○	○	○	○	○
DS 4000 T	○	○	○	○	○
8410	○	○	○	○	○
8460 IC		○	○		○
8460		○	○		○
8530		○	○		○
8550 BOSS		○	○		○
DS 5300 S / DS 5400 S		○	○		○
DS 5300 T / DS 5400 T		○	○		○
DS 5500 BOSS / DS 5400 BOSS		○	○		○
DSF 4300		○			○
8465 ERGO		○	○		○
8535 ERGO		○			○
DSF 5500 / DSF 5400		○			○

● standard equipment ○ compatible tools



Accessories for Brushcutters - Blades

Part number	80-tooth blades in tempered steel		3-tooth brush blades in tempered steel		Shredder blades with 2 curved teeth in special steel
					
	4095564BR	4095066BR	4095641BR	4095665BR	4095677BR
	Ø 9"/230 mm, thickness 1.4 mm, bore 25.4 mm	Ø 10"/255 mm, thickness 1.4 mm, bore 25.4 mm	Ø 10"/255 mm, thickness 3.0 mm, bore 25.4 mm	Ø 12"/305 mm, thickness 3.0 mm, bore 25.4 mm	Ø 12"/305 mm, thickness 3.0 mm, bore 25.4 mm
8061					
8091					
DSi 30					
DSH 250 S / DSH 2500 S					
DSH 250 T / DSH 2500 T					
DSH 250 D / DSH 2500 D					
DSH 3100 S					
DSH 3100 T					
DSH 3100 BP					
DSH 4000 S			○	○	
DSH 400 T / DSH 4000 T			○	○	
DSH 400 BP / DSH 4000 BP			○		
DSH 5000 S			○	○	
DSH 500 T / DSH 5000 T			○	○	
DSH 5000 BP			○		
STARK 25 TR / STARK 2500 TR					
STARK 2500 S					
STARK 25 / STARK 2500 T					
STARK 3810 S					
STARK 3810 T					
STARK 4410 S			○		
STARK 4410 T	○	○	○		
STARK 4410 BP	○	○	○		
DS 2410 S					
DS 2410 T					
DS 2700 S					
DS 2700 T					
DS 3000 S					
DS 3000 T					
DS 2410 D					
DS 3000 D					
DS 3500 S	○	○			
DS 3500 T	○	○			
DS 4000 S	○	○	○		
DS 4000 T	○	○	○	○	○
8410	○	○	○	○	○
8460 IC		○	○	●	○
8460		○	○	●	○
8530		○	○	●	○
8550 BOSS		○	○	●	○
DS 5300 S / DS 5400 S		○	○	●	○
DS 5300 T / DS 5400 T		○	○	●	○
DS 5500 BOSS / DS 5400 BOSS		○	○	●	○
DSF 4300		○	○	○	○
8465 ERGO		○	○	○	○
8535 ERGO		○	○	○	○
DSF 5500 / DSF 5400		○	○	○	○

● standard equipment ○ compatible tools

Accessories for Brushcutters - Guards



Part number	Plastic guards									Metal guards		
	For 600 W electric trimmer	For DSI battery-powered brushcutters	For 850 W/1000 W electric trimmer	For petrol engine trimmer STARK TR	For DS 2200/2400 brushcutters	For 8250 ERGO brushcutters	For STARK brushcutters	For DSH-D brushcutters 25/40 cc	For 38/46/53 cc brushcutters	For 25/30/34/38 cc brushcutters	Ø 200 metal guard for 22-tooth blade	Ø 255 metal guard for 60/80-tooth blade
8061	•											
8091			•									
DSi 30		•										
DSH 250 S / DSH 2500 S								•				
DSH 250 T / DSH 2500 T								•				
DSH 250 D / DSH 2500 D								•				
DSH 3100 S								•				
DSH 3100 T								•				
DSH 3100 BP								•				
DSH 4000 S								•				
DSH 400 T / DSH 4000 T								•				
DSH 400 BP / DSH 4000 BP								•				
DSH 5000 S								•				
DSH 500 T / DSH 5000 T								•				
DSH 5000 BP								•				
STARK 25 TR / STARK 2500 TR				•								
STARK 2500 S							•					
STARK 25 / STARK 2500 T							•					
STARK 3810 S									○	•		○
STARK 3810 T									○	•		○
STARK 4410 S									○	•		○
STARK 4410 T									○	•		○
STARK 4410 BP										•		○
DS 2410 S					•							
DS 2410 T					•							
DS 2700 S					○	•						
DS 2700 T					○	•						
DS 3000 S										•		
DS 3000 T										•		
DS 2410 D					•							
DS 3000 D					•					•		
DS 3500 S									•			○
DS 3500 T									•			○
DS 4000 S									•		○	○
DS 4000 T									•		○	○
8410									•		○	○
8460 IC									•		○	○
8460									•		○	○
8530									•		○	○
8550 BOSS									•		○	○
DS 5300 S / DS 5400 S									•		○	○
DS 5300 T / DS 5400 T									•		○	○
DS 5500 BOSS / DS 5400 BOSS									•		○	○
DSF 4300										•		○
8465 ERGO										•		○
8535 ERGO										•		○
DSF 5500 / DSF 5400										•		○

• standard equipment ○ compatible tools



Accessories for Brushcutters - Harnesses

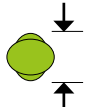
Part number	Single harness		Harness with cushion		Double harness		Professional harness
	4160463AR	60010143R	4179164R	4179172R	61200106R	63050018AR	63070002AR
	with snap hook	without snap hook	with cushion	with "comfort" cushion	double	double with quick release	professional
8061		○	○	○			
8091		●	○	○			
DSi 30	○	○	○	○			
DSH 250 S / DSH 2500 S	●	○	○	○			
DSH 250 T / DSH 2500 T	●	○	○	○	○	○	
DSH 250 D / DSH 2500 D	●	○	○	○			
DSH 3100 S	●	○	○	○			
DSH 3100 T	●	○	○	○	○	○	
DSH 3100 BP							
DSH 4000 S	●	○	○	○			
DSH 400 T / DSH 4000 T			○	○	● BF000020R	○	○
DSH 400 BP / DSH 4000 BP							
DSH 5000 S	●	○	○	○			
DSH 500 T / DSH 5000 T			○	○	○	○	●
DSH 5000 BP							
STARK 25 TR / STARK 2500 TR	○	○	○	○			
STARK 2500 S	●	○	○	○			
STARK 25 / STARK 2500 T	●	○	○	○	○	○	
STARK 3810 S	●	○	○	○			
STARK 3810 T					●	○	○
STARK 4410 S	●	○	○	○			
STARK 4410 T					●	○	○
STARK 4410 BP							
DS 2410 S	●	○	○	○			
DS 2410 T	○	○	●	○	○	○	○
DS 2700 S	●	○	○	○			
DS 2700 T	○	○	●	○	○	○	○
DS 3000 S	●	○	○	○			
DS 3000 T			●	○	○	○	○
DS 2410 D	●	○	○	○			
DS 3000 D	●	○	○	○			
DS 3500 S	●	○	○	○			
DS 3500 T			○	○	○	○	●
DS 4000 S	●	○	○	○			
DS 4000 T			○	○	○	○	●
8410			○	○	●	○	○
8460 IC	●	○	○	○			
8460							●
8530							●
8550 BOSS							●
DS 5300 S / DS 5400 S	●	○	○	○			
DS 5300 T / DS 5400 T							●
DS 5500 BOSS / DS 5400 BOSS							●
DSF 4300							
8465 ERGO							
8535 ERGO							
DSF 5500 / DSF 5400							

● standard equipment ○ compatible tools

Accessories for Brushcutters - Strimmer lines



Line	Type	Diameter		Length (m)	Mini blister	Length (m)	Blister pack 1 lb-0.450 kg	Length (m)	Spool 4 lbs-1.8 kg	Length (m)	Spool 17.64 lbs-8 kg
		mm	inches		Code		Code		Code		Code



High quality line composed of a blend of patented raw materials, with aerodynamic spiral cross-section. Slices through the air with minimal resistance, leading to reduced noise and lower vibration levels. Especially suitable for battery-powered or mains machines, this line reduces power absorption whilst ensuring high cutting speed and long life of both the motor and battery.

Technical specifications: ideal for grass and weeds.

Pro-Silent	spiral	1.6	.065"	15	63040314						
		2.0	.080"	15	63040315	123	63040317				



Top quality line made of co-polymers that assure the maximum resistance to wear and breakage.

Technical specifications: clean and precise cut; ideal for grass, weeds and scrub; high cutting speed.

Greenline	round	1.6	.065"	15	63040219A						
		2.0	.080"	15	63040220A						
		2.4	.095"	15	63040221A	87	63040057B	349	63040060A	1560	63042013A
		2.7	.106"	15	63040183A	72	63040180A	280	63040239	1232	63042006A
		3.0	.119"	15	63040222A	56	63040058C	223	63040061A	1000	63042008A
		3.5	.139"	12	63040223A	41	63040171B	164	63040172A	736	63042001A
		4.0	.157"			31	63040255A				



Greenline	square	2.4	.095"	15	63040230A	69	63040236A				
		2.7	.106"	15	63040282A	56	63040284A	217	63040285	968	63042007A
		3.0	.119"	15	63040283A	44	63040199B	175	63040202A	784	63042009A
		3.5	.139"			32	63040200B	129	63040272	576	63042016A



Professional line composed of two materials that provide high flexibility elevated breaking strength and optimal toughness for high abrasion resistance. More than 30% longer-lasting than conventional lines.

Technical specifications: ideal for grass, weeds, scrub and brushwood, even in the vicinity of stones and walls; high cutting speed.

First	round	2.4	.095"	15	63040232A	87	63040237A				
		3.0	.119"	15	63040281A	56	63040091B	223	63040270	1000	63042012A
		3.5	.139"	12	63040294A	41	63040093B	164	63040265	736	63042015A
		4.0	.157"			31	63040257A	123	63040259	560	63042010A



Professional line that guarantees the maximum performance in terms of resistant to abrasion, breakage and sticking; the line has a double layer cross section: the core assures exceptionally high breaking resistance, while the outer sheaf provides wear resistance.

Technical specifications: ideal for grass, weeds, scrub and brushwood, even in the vicinity of stones and walls; high cutting speed.

Titanium	round	3.0	.119"			56	63040214B	168	63040210A*	1000	63042003A
		3.5	.139"			41	63040207B	123	63040211A*	736	63042004A

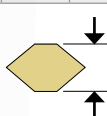
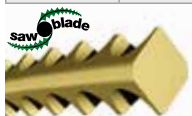


Professional line with an innovative profile that ensures the maximum cutting performance and top-of-the-range durability of up to 40% longer than conventional lines. Double layer cross section: the core provides very high breakage resistance, while the outer sheaf imparts very high wear resistance. Excellent weld resistance to temperatures of up to 280°C.

Technical specifications: ideal for grass, weeds, scrub and brushwood, even in the vicinity of stones and walls; high cutting speed.

* Titanium packaging in rolls, weighs 3 lbs – 1.35 kg

Platin-Cut	serrated square	2.7	.106"	15	63040233A	57	63040241A				
		3.0	.119"			44	63040243A	175	63040245		
		3.5	.139"			32	63040250A	128	63040251	632	63042002A
		4.0	.157"			25	63040261A	99	63040263		



Innovative professional line that guarantees the utmost flexibility and abrasion resistance. Reinforced sawtooth profile for the maximum cutting performance.

Technical specifications: clean and precise cut; ideal for scrub, brushwood and undergrowth with diameters up to 12 mm; high cutting speed; quieter than conventional line and safer and more practical than a conventional steel blade.

Saw-Blade Gold	sawtooth	3.0	.139"			37	63040247B				
		3.5	.157"			27	63040253B	143	63040274		

Lawnmowers for any grassed area, plus bespoke solutions.

Technology and comfort

Efco offers a range of machines for mowing different types of grassed areas. The push-type lawnmower was developed for use in confined spaces, where the agility of the machine is more important; in contrast propulsion-type lawnmowers are more suitable for the maintenance of larger size lawns. Our models are diversified also in terms of their technical features so they can meet all possible requirements: cutting height can be independently adjusted on each wheel or adjusted via a centralised control, starting can be manual or electric, and motive power can be provided by a battery, petrol engine or mains power cable. The professional lawnmowers are distinguished by their superior productivity on larger size areas, including irregular terrain, thanks to the steel transmission and front bumper, aluminium wheels, and reinforced deck.



Practical, lever-operated cutting height adjustment system.



Large-size wheels, ideal for even the roughest terrain.



4-cutting device: cutting system that includes mulching, collection and side discharge as standard with deflector for rear discharge.



Metal wheels: maximum strength, even when tackling the most demanding jobs.



Professional grade 3-speed transmission to modulate the ground speed to suit the type of work and the terrain.



The full bag indicator alerts the operator when the grass catcher needs emptying, thus eliminating constant stops to check the level and preventing spillage caused by overfilling.



Lawnmowers

Guide to selection

		HOME	COUNTRYSIDE	URBAN
CUTTING THE GARDEN LAWN	Electric	PR 35 PR 40 LR 44 LR 48		
	Battery-powered	LRI 40 LRI 44 LRI 48		
	COMFORT push-type and self-propelled		LR 44 LR 48	
	COMFORT PLUS push-type		LR 44 LR 48	
	COMFORT PLUS self-propelled		LR 44 LR 48 LR 53	
	ALLROAD PLUS 4 self-propelled		LR 48 LR 53	
	ALLROAD ALUMINIUM self-propelled			AR 48 AR 53
	ALUMINIUM PRO self-propelled			AR 53
	MR 55 self-propelled professional			MR 55

Electric Lawnmowers

Maintenance of the open spaces around your home calls for versatile and practical tools, able to provide durable service and withstand prolonged use over time. The electric lawnmowers are ideal for looking after small and medium size areas. These mowers work efficiently in gardens and grassed areas, allowing simple, functional and low noise grass cutting. Unlike petrol engine models, electric lawnmowers provide a threefold advantage: no need for top-ups, zero pollutant emissions and major reduction in noise levels.



Independent cutting height adjustment on each wheel.



Blade operated by a practical lever on the handlebars.



The aluminium deck imparts greater strength and ruggedness to this model.



300 m²



550 m²



600-800 m²



700-800 m²

PR 35 S

PR 40 S

LR 44 PE COMFORT PLUS LR 48 PE COMFORT PLUS

Deck	ABS	ABS	steel	steel
Electric motor power	1.1 kW	1.3 kW	1.5 kW	1.6 kW
Cutting width	33 cm	38 cm	41 cm	46 cm
Propulsion	push-type	push-type	push-type	push-type
Cutting adjustment	independent	independent	independent	independent
Cutting height	20-36-52 mm	28-44-60 mm	from 28 to 75 mm	from 28 to 75 mm
Grass box capacity	25 L	40 L	60 L	60 L
Mulching/Side discharge	not available/not available	not available/not available	not available/not available	not available/not available
Weight	12.2 kg	15.0 kg	21.0 kg	24.0 kg

Battery-powered Lawnmowers

The transition to battery power offers significant benefits even for lawnmowers, including results that rival classic petrol engine machines. With these machines (of which **LRI 44** and **LRI 48** are also available in a self-propelled version), mowing duties benefit from ease of use, reduced noise levels and the complete elimination of exhaust gas. Forget about having to empty the fuel tank to prepare for winter storage, replace the spark plug, clean the air filter, or worry about stored fuel-oil mixture deteriorating: all this is no more than a distant memory with battery-powered motors, without any compromise in performance. The **LRI 44** and **LRI 48** are both equipped with a double battery housing, making it possible to extend running time with up to two 5 Ah batteries, sufficient for mowing larger areas. Both machines feature a steel deck, centralised cutting height adjustment controls, generously sized grass catcher and, for **LRI 48** models, a 4-in-1 cutting function, allowing for cutting without grass collection, with mulching system or side discharge. Model **LRI 40 P** is suitable for small gardens thanks to its compact plastic deck and maneuverability.



LRI 40 P LRI 44 P LRI 44 T LRI 48 P LRI 48 T

Motor type	Brushless	Brushless	Brushless	Brushless	Brushless
Voltage	40 V	40 V	40 V	40 V	40 V
Max no. of batteries	up to 1	up to 2	up to 2	up to 2	up to 2
Operating batteries	Bi 2,0 EF / Bi 5,0 EF	Bi 2,0 EF / Bi 5,0 EF	Bi 5,0 EF	Bi 5,0 EF	Bi 5,0 EF
Deck material	polypropylene	steel	steel	steel	steel
Propulsion	push-type	push-type	self-propelled	push-type	self-propelled
Cutting diameter	37 cm	41 cm	41 cm	46 cm	46 cm
Cutting height	from 18 to 60 mm	from 28 to 75 mm	from 28 to 75 mm	from 28 to 75 mm	from 28 to 75 mm
Grass catcher capacity	40 L	70 L	70 L	70 L	70 L
Mulching/Side-discharge	not available/not available	not available/not available	not available/not available	standard/standard	standard/standard
Mowing surface area up to (*)	120 m ² (1x2.0 Ah) 300 m ² (1x5.0 Ah)	140 m ² (1x2.0 Ah) 280 m ² (2x2.0 Ah) 350 m ² (1x5.0 Ah) 700 m ² (2x5.0 Ah)	250 m ² (1x5.0 Ah) 500 m ² (2x5.0 Ah)	250 m ² (1x5.0 Ah) 500 m ² (2x5.0 Ah)	250 m ² (1x5.0 Ah) 500 m ² (2x5.0 Ah)
Weight without batteries	13 kg	23 kg	25 kg	27 kg	29 kg
Charging time with CRG	88' (2.0 Ah) / 220' (5.0 Ah)	88' (2.0 Ah) / 220' (5.0 Ah)	220' (5.0 Ah)	220' (5.0 Ah)	220' (5.0 Ah)
Charging time with FAST CRG	40' (2.0 Ah) / 90' (5.0 Ah)	40' (2.0 Ah) / 90' (5.0 Ah)	90' (5.0 Ah)	90' (5.0 Ah)	90' (5.0 Ah)

(*) Cutting performance depends on several factors including: garden shape, surface characteristics (length, grass moisture), ground speed, type of cut (collection, mulching or side discharge)

COMFORT push-type and self-propelled lawnmowers

COMFORT series lawnmowers are an effective solution for home users who need to keep small areas in trim and are looking for petrol engine models that are manoeuvrable and easy to use.



The steel deck imparts greater strength and ruggedness to this model.



EMAK 4-stroke engines, designed using advanced technology that guarantees easy starting and optimum performance, reliability and durability.



Rugged and ergonomic plastic levers completely embracing the handlebar ensure a comfortable and positive grip.



Innovative design wheels mounted on bearings ensure smooth movement of the machine.



Home Plus 800-1000 m²

Home Plus 800-1000 m²

Home Plus 1000-1400 m²

LR 44 PK COMFORT LR 44 TK COMFORT LR 48 PK COMFORT

Deck	steel	steel	steel
Displacement	123 cm ³	123 cm ³	123 cm ³
Engine make/model	Emak K 450 OHV	Emak K 450 OHV	Emak K 450 OHV
Cutting width	41 cm	41 cm	41 cm
Propulsion	push-type	self-propelled (3.6 km/h)	push-type
Cutting adjustment	independent	central	independent
Cutting height	from 28 to 75 mm	from 28 to 75 mm	from 28 to 75 mm
Grass box capacity	60 L	60 L	60 L
Mulching/Side discharge	not available/not available	not available/not available	optional/not available
Weight	24.0 kg	27.4 kg	31.5 kg

COMFORT PLUS push-type Lawnmowers

Push-type lawnmowers are an excellent solution for home users dealing with maintenance of grassed areas no larger than 1,400 m² in size. The **COMFORT PLUS** series of lawnmowers was developed with special attention focused on ergonomics and functional styling. The steel deck imparts greater strength and ruggedness to this model.



Strong and versatile 70 L capacity plastic and fabric grass catcher (assembled without tools) with full-bag indicator.



Innovative design wheels mounted on bearings ensure smooth movement of the machine.



Independent cutting height adjustment on each wheel.



Optional mulching kit: the grass clippings are broken down into fine particles and released back onto the turf to keep the lawn clean and uniform after each cut.

LR 48/66110828R



LR 44 PB COMFORT PLUS

LR 44 PK COMFORT PLUS

LR 48 PK COMFORT PLUS

LR 48 PBQ COMFORT PLUS

	LR 44 PB COMFORT PLUS	LR 44 PK COMFORT PLUS	LR 48 PK COMFORT PLUS	LR 48 PBQ COMFORT PLUS
Deck	steel	steel	steel	steel
Displacement	125 cm ³	139 cm ³	139 cm ³	140 cm ³
Engine make/model	Briggs & Stratton 450E OHV series	Emak K 605 OHV	Emak K 605 OHV	Briggs & Stratton 550E OHV series
Cutting width	41 cm	41 cm	46 cm	46 cm
Propulsion	push-type	push-type	push-type	push-type
Cutting adjustment	independent	independent	independent	independent
Cutting height	from 28 to 75 mm	from 28 to 75 mm	from 28 to 75 mm	from 28 to 75 mm
Grass box capacity	70 L	70 L	70 L	70 L
Mulching/Side discharge	not available/not available	not available/not available	optional/not available	optional/not available
Weight	23.4 kg	24.0 kg	25.4 kg	24.4 kg

Available while stocks last

COMFORT PLUS self-propelled Lawnmowers

Self-propelled lawnmowers are the most suitable option for working on sloping lawns with overgrown areas. The main characteristic of self-propelled lawnmowers is the coupling between the wheels and the engine or motor. Thanks to this solution, the machine is accompanied rather than pushed and cutting performance is optimised. The **COMFORT PLUS** series, with single speed propulsion system, is the ideal solution for larger areas and for uneven or gently sloping ground. Also available: **TKE** models with battery starting for smooth and effortless start-up.



The steel deck imparts greater strength and ruggedness to this model.



Rugged and ergonomic plastic levers completely embracing the handlebar ensure a comfortable and positive grip.



The mulching blade supplied as standard and the streamlined deck ensure optimal cutting efficiency and perfect feed to the grass catcher.



Strong and versatile 70 L capacity plastic and fabric grass catcher (assembled without tools) with full-bag indicator.



Home Plus 1000-1200 m²



Home Plus 1400-1800 m²

LR 44 TK COMFORT PLUS

LR 48 TK COMFORT PLUS

Deck	steel	steel
Displacement	139 cm ³	139 cm ³
Engine make/model	Emak K 605 OHV	Emak K 605 OHV
Cutting width	41 cm	46 cm
Propulsion (speed)	self-propelled (3.6 km/h)	self-propelled (3.6 km/h)
Cutting adjustment	central	central
Cutting height	from 28 to 75 mm	from 28 to 75 mm
Grass box capacity	70 L	70 L
Mulching/Side discharge	not available/not available	optional/not available
Weight	28.3 kg	30.4 kg

COMFORT PLUS self-propelled Lawnmowers



Practical, lever-operated cutting height adjustment system.



Innovative design wheels mounted on bearings ensure smooth movement of the machine.



Optional mulching kit: the grass clippings are broken down into fine particles and released back onto the turf to keep the lawn clean and uniform after each cut.

LR 48/66110828R



1400-1800 m²

1400-1800 m²

1400-1800 m²

LR 48 TKE COMFORT PLUS LR 48 TBQ COMFORT PLUS LR 48 TBX COMFORT PLUS

Deck	steel	steel	steel
Displacement	166 cm ³	140 cm ³	150 cm ³
Engine make/model	Emak K 655i OHV battery powered electric starting	Briggs & Stratton 550E OHV series	Briggs & Stratton 625EXi OHV series
Cutting width	46 cm	46 cm	46 cm
Propulsion (speed)	self-propelled (3.6 km/h)	self-propelled (3.6 km/h)	self-propelled (3.6 km/h)
Cutting adjustment	central	central	central
Cutting height	from 28 to 75 mm	from 28 to 75 mm	from 28 to 75 mm
Grass box capacity	70 L	70 L	70 L
Mulching/Side discharge	optional/not available	optional/not available	optional/not available
Weight	31.5 kg	28.4 kg	30.6 kg

Available while stocks last

COMFORT PLUS self-propelled Lawnmowers



TKE models with Emak engine and rechargeable battery-powered electric starting ensure effortless starting every time. The engine is also equipped with recoil starter.



Optional mulching kit: the grass clippings are broken down into fine particles and released back onto the turf to keep the lawn clean and uniform after each cut.

LR 53/66071059R



LR 53 TK COMFORT PLUS	LR 53 TKE COMFORT PLUS	LR 53 TBX COMFORT PLUS
-----------------------	------------------------	------------------------

Deck	steel	steel	steel
Displacement	166 cm ³	166 cm ³	150 cm ³
Engine make/model	Emak K 655 OHV	Emak K 655i OHV battery powered electric starting	Briggs & Stratton 625EXi OHV series
Cutting width	51 cm	51 cm	51 cm
Propulsion (speed)	self-propelled (3.6 km/h)	self-propelled (3.6 km/h)	self-propelled (3.6 km/h)
Cutting adjustment	central	central	central
Cutting height	from 28 to 75 mm	from 28 to 75 mm	from 28 to 75 mm
Grass box capacity	70 L	70 L	70 L
Mulching/Side discharge	optional/not available	optional/not available	optional/not available
Weight	31.8 kg	32.9 kg	31.6 kg

ALLROAD PLUS 4 self-propelled Lawnmowers

In addition to rear pick-up mode, the **ALLROAD PLUS 4** series includes mulching operation and side discharge as part of the standard package. The single-speed propulsion system or propulsion with variable speed drive (model **VK**) combined with the large size of the wheels, make for smoother progress, even over uneven ground. Also available: **TBXE** and **TKE** models with battery starting for smooth and effortless start-up.



The steel deck imparts greater strength and ruggedness to this model.



Large size wheels (280 mm rear and 200 mm front) with ball bearings for smoother movement and optimal traction on all types of terrain.

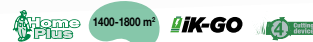


"4-cutting device": cutting system that includes mulching, collection and side discharge as standard, with deflector for rear discharge.



Mulching kit as standard: the grass clippings are broken down into fine particles and released back onto the turf to keep the lawn clean and uniform after each cut.

LR 48/66110828R



LR 48 TK ALLROAD PLUS 4

LR 48 TKE ALLROAD PLUS 4

Deck	steel	steel
Displacement	166 cm ³	166 cm ³
Engine make/model	Emak K 655 OHV	Emak K 655i OHV battery powered electric starting
Cutting width	46 cm	46 cm
Propulsion (speed)	self-propelled (3.6 km/h)	self-propelled (3.6 km/h)
Cutting adjustment	central	central
Cutting height	from 28 to 75 mm	from 28 to 75 mm
Grass box capacity	70 L	70 L
Mulching/Side discharge	standard/standard	standard/standard
Weight	36.0 kg	36.0 kg

ALLROAD PLUS 4 self-propelled Lawnmowers



Mulching kit as standard: the grass clippings are broken down into fine particles and released back onto the turf to keep the lawn clean and uniform after each cut.

LR 48/66110828R

LR 53/66071059R



LR 53 TK ALLROAD PLUS 4 LR 53 TKE ALLROAD PLUS 4 LR 53 TBX ALLROAD PLUS 4

Deck	steel	steel	steel
Displacement	196 cm ³	166 cm ³	150 cm ³
Engine make/model	Emak K 805 OHV	Emak K 655i OHV series battery powered electric starting	Briggs & Stratton 625EXi OHV series
Cutting width	51 cm	51 cm	51 cm
Propulsion (speed)	self-propelled (3.6 km/h)	self-propelled (3.6 km/h)	self-propelled (3.6 km/h)
Cutting adjustment	central	central	central
Cutting height	from 28 to 75 mm	from 28 to 75 mm	from 28 to 75 mm
Grass box capacity	70 L	70 L	70 L
Mulching/Side discharge	standard/standard	standard/standard	standard/standard
Weight	37.4 kg	39.5 kg	34.4 kg

ALLROAD PLUS 4 self-propelled Lawnmowers



TBXE models with Briggs & Stratton engine and rechargeable battery-powered electric starting ensure effortless starting every time.



Model **VK** is equipped with stepless traction control so that ground speed can be adapted continuously to match the needs of the job.



A front bumper with integrated carry handle increases the level of protection against accidental impact.



LR 53 TBXE ALLROAD PLUS 4 LR 53 THX ALLROAD PLUS 4 LR 53 VK ALLROAD PLUS 4

Deck	steel	steel	steel
Displacement	163 cm ³	166 cm ³	196 cm ³
Engine make/model	Briggs & Stratton 675 iS OHV series battery powered electric starting	Honda GCVx 170 OHV	Emak K 805 OHV
Cutting width	51 cm	51 cm	51 cm
Propulsion (speed)	self-propelled (3.6 km/h)	self-propelled (3.6 km/h)	propulsion with variable speed control (from 2.5 to 4.5 km/h)
Cutting adjustment	central	central	central
Cutting height	from 28 to 75 mm	from 28 to 75 mm	from 28 to 75 mm
Grass box capacity	70 L	70 L	70 L
Mulching/Side discharge	standard/standard	standard/standard	standard/standard
Weight	37.0 kg	34.0 kg	38.6 kg

ALLROAD ALUMINIUM self-propelled Lawnmowers

The **ALLROAD ALUMINIUM** models are a paradigm of ruggedness: with their 46 or 51 cm deck in 4 mm gauge diecast aluminium, the structure is designed to withstand impact and corrosion. The high capacity mulching blade and the streamlined shape of the deck assure optimal cutting performance and perfect bag filling, while the wheels with shielded ball bearings allow the machine to progress smoothly over all types of terrain.



4 mm gauge diecast aluminium deck: ensures low weight with high strength and excellent corrosion resistance.



Large size IMPACT series wheels (Ø 280 mm rear and Ø 200 mm front) with shielded ball bearings: guarantee of smoother movement and optimal traction on all types of terrain.



Mulching kit as standard: the grass clippings are broken down into fine particles and released back onto the turf to keep the lawn clean and uniform after each cut.

AR 48/66090147R

AR 53/66060372R



AR 48 TK ALLROAD ALUMINIUM AR 53 TK ALLROAD ALUMINIUM AR 53 TBX ALLROAD ALUMINIUM

Deck	aluminium	aluminium	aluminium
Displacement	166 cm ³	196 cm ³	163 cm ³
Engine make/model	Emak K 655 OHV	Emak K 805 OHV	Briggs & Stratton 675EXi OHV series
Cutting width	46 cm	51 cm	51 cm
Propulsion (speed)	self-propelled (3.6 km/h)	self-propelled (3.6 km/h)	self-propelled (3.6 km/h)
Cutting adjustment	central	central	central
Cutting height	from 28 to 75 mm	from 28 to 75 mm	from 28 to 75 mm
Grass box capacity	80 L	80 L	80 L
Mulching/Side discharge	standard/not available	standard/not available	standard/not available
Weight	41.5 kg	42.6 kg	40.9 kg

ALLROAD ALUMINIUM self-propelled Lawnmowers



Model **VBD** is equipped with stepless traction control so that ground speed can be adapted continuously to match the needs of the job.



Centralised cutting height adjustment device controlled by a rugged and ergonomic handle: offers 5 different height positions that can be selected easily and effortlessly from a minimum of 28 mm to a maximum of 75 mm.



INSTANT START



AR 53 VBD ALLROAD ALUMINIUM AR 53 THX ALLROAD ALUMINIUM

Deck	aluminium	aluminium
Displacement	161 cm ³	166 cm ³
Engine make/model	Briggs & Stratton 750EX OHV series	Honda GCVx 170 OHV
Cutting width	51 cm	51 cm
Propulsion (speed)	self-propelled, variable speed drive (from 2.5 to 4.5 km/h)	self-propelled (3.6 km/h)
Cutting adjustment	central	central
Cutting height	from 28 to 75 mm	from 28 to 75 mm
Grass box capacity	80 L	80 L
Mulching/Side discharge	standard/not available	standard/not available
Weight	45.5 kg	41.6 kg

ALUMINIUM PRO self-propelled Lawnmowers

These machines are ideal for large size spaces of more than 2,000 m², also for continuous use; they ensure unvarying quality standards through time thanks to their technical solutions including the steel transmission, aluminium wheels and reinforced deck. The ergonomic two-piece handlebar allows easy manoeuvring of the mower. The cutting height adjustment system (handy knob in an easily accessible central position) and the plastic and fabric grass catcher (with full bag indicator) are just two of the solutions adopted for the maximum operator comfort.



4 mm gauge diecast aluminium deck: ensures low weight with high strength and excellent corrosion resistance.



Front bumper with integrated carry handle: increases the level of protection against accidental impact.

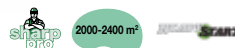


Metal wheels: maximum strength, even when tackling the most demanding jobs.



Mulching kit as standard: the grass clippings are broken down into fine particles and released back onto the turf to keep the lawn clean and uniform after each cut.

AR 53/66060372R



AR 53 TK ALUMINIUM PRO

AR 53 VBD ALUMINIUM PRO

Deck	aluminium	aluminium
Displacement	196 cm ³	161 cm ³
Engine make/model	Emak K 805 OHV	Briggs & Stratton 750EX OHV series
Cutting width	51 cm	51 cm
Propulsion (speed)	self-propelled (3.4 km/h)	self-propelled, variable speed drive (from 2.5 to 4.5 km/h)
Cutting adjustment	central	central
Cutting height	from 30 to 70 mm	from 30 to 70 mm
Grass box capacity	80 L	80 L
Mulching/Side discharge	standard/not available	standard/not available
Weight	50.1 kg	49.4 kg

MR 55 self-propelled professional Lawnmowers

Extremely rugged and with high load capacity, even on wet grass, these models offer all the features required by groundcare professionals (professional-grade aluminium transmission, 80 l grass catcher and large diameter aluminium wheels). Ideal for large areas (exceeding 2,300 m²) and continuous or intensive use, these models offer exceptional reliability and consistently first-rate performance over time.



Generously sized protections at the front and sides of the aluminium deck.



Centralised cutting height adjustment by means of a practical lever with preset positions.



Optional mulching kit: the grass clippings are broken down into fine particles and released back onto the turf to keep the lawn clean and uniform after each cut (bade + blade hub + plug).

MR 55/8203502AR



	MR 55 TBD	MR 55 TBI	MR 55 HXF
Deck	aluminium	aluminium	aluminium
Displacement	161 cm ³	190 cm ³	163 cm ³
Engine make/model	Briggs & Stratton 750EX OHV series	Briggs & Stratton 850PXi OHV series	Honda GXV 160 OHV
Cutting width	53 cm	53 cm	53 cm
Propulsion (speed)	self-propelled (3.6 km/h)	3 speeds (1 ^a : 2.2 – 2 ^a : 3.6 – 3 ^a : 4.5 km/h)	3 speeds (1 ^a : 2.2 – 2 ^a : 3.6 – 3 ^a : 4.5 km/h)
Cutting adjustment	central	central	central
Cutting height	from 20 to 75 mm	from 20 to 75 mm	from 20 to 75 mm
Grass box capacity	80 L	80 L	80 L
Mulching/Side discharge	optional/not available	optional/not available	optional/not available
Weight	53.3 kg	51.3 kg	63.3 kg

Healthy soil that breathes and is nourished: for the flourishing development of our lawns.

Technology and comfort

Designed and engineered for demanding home users, as well as professional gardeners and groundskeepers, these are the ideal machines for freeing turf of moss and thatch. Lawns should be scarified at least twice during the season, as this will allow the soil to breathe and enable moisture, air and nutrients to reach the roots of the grass, favouring steady and healthy growth.



Sturdy hardened steel spikes (floating on the **SCA 50 H** model), ideal even for the hardest terrain.



Glides perfectly over any surface thanks to the sturdy wheels mounted on bearings (metal bearings on the **SCA 50 H** model).



Reinforced steel deck, designed to withstand even the harshest of conditions.



Height adjustment system with memory enables the machine to be set down quickly at the same height when repositioned.



Fold-down handlebar released by a handy lever, designed to save space during storage.



EURO 5 engines with low environmental impact: compliant with the most stringent anti-pollution regulations.



Scarifiers

Guide to selection

		HOME	COUNTRYSIDE	URBAN
SCARIFYING THE LAWN	For home use	SCA 38 R		
	Professional		SCA 50 H	

Scarifiers for home use

Practical and manoeuvrable scarifier for home use in gardens of up to 1000 m²; the ideal tool for use with lawnmowers for turf scarification in preparation for early-season grass cutting, it gets rid of weed, moss and thatch and provides better aeration of the lawn. Also useful prior to grass seeding and fertilisation, enabling better penetration of the soil.



Foldable handlebar to reduce footprint during storage.



Practical working depth adjustment lever. Located on the side of the handlebar, it enables quick and easy adjustment while using the machine.



Rotor comprising 15 fixed blades.



With the optional 40-litre collection bag, fewer stops are needed to empty the contents, and the time and effort expended typically on manual collection can be avoided.

68212000



**Only available
in certain markets**

SCA 38 R

Deck	steel
Displacement	179 cm ³ (4.7 HP)
Engine	Rato R 180
Working width	38 cm
Blades	15, fixed
Wheels	diameter 200 mm, plastic
Working depth	0-22 mm, adjustable with memory
Dimensions	130x59x109 cm
Weight	35 kg

Professional scarifiers

Lawn scarifiers of rugged construction equipped with powerful engines, designed to tackle even the most stubborn of soils with complete confidence. Regular scarifying and mowing will ensure lawns stay lush, green and healthy.



Working depth adjustment spring. Always maintains the preset position.



Metal wheels with ball bearings.



Rotor with 28 floating blades mounted on ball bearings and grease nipple system.



Simplified handlebar fold-down system: when released by a lever located conveniently on one side, the handlebar tilts forward over the deck to save space during storage.



**Only available
in certain markets**

SCA 50 H

Deck	steel
Displacement	163 cm ³ (5.0 HP)
Engine	Honda GP 160 OHV
Working width	50 cm
Blades	28, floating
Wheels	diameter 210-250 mm, metal with bearings
Working depth	0-15 mm, adjustable with memory
Dimensions	120x82x102 cm
Weight	65 kg

All the power you need to tackle overgrown areas and woodland undergrowth, powerful cutting with no half measures.

Technology and comfort

Efco wheeled brushcutters and Flail mowers guarantee exceptional cutting quality, including when tackling dense and thick-stemmed vegetation or medium diameter brushwood. Typified by high strength and cutting power, as well as superior operator comfort, these machines ensure that professional jobs of this kind can be completed swiftly and efficiently.



The cutting unit rotor, mounted on reinforced and shielded bearings, ensures the entire assembly is balanced and resistant to impact.



Ergonomic control levers (wheel lock release, brakes and gears) neatly arranged within easy reach.



Reinforced steel cutting decks, with large discharge area for release of cut material.



Large size rear wheels ensure smooth progress even in the presence of depressions and irregularities in the terrain.



Reinforced blade for effective cutting action even on thicker vegetation, brambles or undergrowth.



Easy cutting height adjustment by means of a worm screw lever.



Wheeled brushcutters/Flail mowers

Guide to selection

		HOME	COUNTRYSIDE	WOODLAND	URBAN
TRIMMING AND MOWING GRASS, WEEDS, INVASIVE VEGETATION	Wheeled brushcutters	For home use	DEB 517		
		For intensive use		DEB 518	DEB 518
		Professional		DEB 5158 DEB 528	
	Flail mowers	For home use	DR 50		
		For intensive use		DR 65	
		Professional		DR 80 DR 100	

Wheeled brushcutters for home use

Compact and manoeuvrable, this model is the ideal workmate for demanding home users and smallholders who need to clear small to medium-sized areas infested with weeds, scrub or other types of invasive vegetation.



Large rear wheels with differential effect.



Sturdy side discharge in steel.



Removable and pivoting front wheel.



Only available
in certain markets

DEB 517

Deck	steel
Displacement	173 cm ³ (4.3 HP)
Engine	RATO RV 170
Gear speeds	1 forward speed
Speed	2.8 km/h
Cutting width	51 cm
Wheels	diameter 200-420 mm with single front wheel in plastic
Cutting height adjustment	centralised, 4 positions (adjustable from handgrip)
Cutting height	55-70-90-110 mm
Weight	52 kg

Wheeled brushcutters for intensive use

Characterised by high strength and, at the same time, compact and manoeuvrable, these models are the ideal workmates for smallholders who need to clear medium-sized areas infested with weeds, scrubs or other invasive vegetation.



Cutting height adjustment through 4 positions, quick and convenient thanks to its positioning.



High-performance cutting system, suitable for any type of grass or scrub.



Double lockable front wheel, offers stability and strength even on uneven surfaces.



Only available
in certain markets

DEB 518

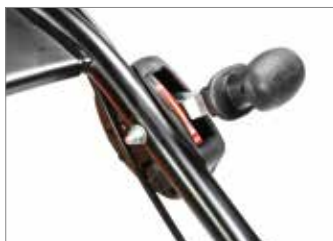
Deck	steel
Displacement	190 cm ³ (5.4 HP)
Engine	YAMAHA MA 190
Gear speeds	1 forward speed
Speed	2.8 km/h
Cutting width	51 cm
Wheels	diameter 200-420 mm with double front wheel in plastic
Cutting height adjustment	centralised, 4 positions (adjustable from handgrip)
Cutting height	55-70-90-110 mm
Weight	54 kg

Professional wheeled brushcutters

Powerful professional models, designed for produce growers with heavy and constant workloads to manage. These machines are also ideal for landscaping contractors working on dense vegetation, with release of green waste to the ground.



Handlebar with vertical and horizontal adjustment using the handlebar-mounted lever.



Variable gear shift system (**DEB 5158**).



Cutting deck with front opening to help tackle scrub and tall vegetation (**DEB 528**).



Only available
in certain markets

DEB 5158

DEB 528

	DEB 5158	DEB 528
Deck	steel	steel
Displacement	190 cm³ (5.4 HP)	225 cm³ (5.3 HP)
Engine	YAMAHA MA 190	RATO RV 225
Gear speeds	7 variable speeds	2 forward speeds – 1 reverse
Speed	2 – 4.2 km/h	2.6 – 3.3 km/h in forward drive
Cutting width	51 cm	52 cm
Wheels	diameter 200-370 mm with single front wheel in metal	3.50x6" tyred wheels with anti-puncture liquid
Cutting height adjustment	centralised, 4 positions (adjustable from handgrip)	2 positions, adjustable by means of spacers
Cutting height	55-70-90-110 mm	52-75 mm
Weight	62 kg	75 kg

Flail mower for home use

Compact and high-performance model, designed for home gardeners and grounds maintenance contractors. Grass, shoots, low vegetation and scrub are the ideal working environment. The compact dimensions of the rotor unit make this machine highly manoeuvrable in confined spaces and when moving between work areas. No terrain is off-limits thanks to the large tyred wheels. A versatile machine that easily adapts to different types of environments and shredding tasks.



Cutting unit rotor supported by reinforced bearings and shields, resulting in a machine that is perfectly balanced and resistant to accidental knocks.



Handlebars adjustable vertically and horizontally by means of a comfortable handgrip positioned at the end of the steering column.



Generously sized tyred wheels (4.00-8") to ensure excellent grip on the ground.



Cutting height adjustment by means of a worm screw lever. Finely adjustable from 20 to 80 mm.



**Only available
in certain markets**

DR 50 K800H

Displacement	182 cm ³
Engine make/model	Emak K 800 H
Cutting width	50 cm - 26 blades 'Y' shaped
Transmission	3 forward speeds + reverse
Cutting height adjustment	centralised (20 - 80 mm)
Handlebar adjustment	vertical and horizontal
Wheels	4.00x8" + 2 swivel with lock
Speed	1 st : 1.2 - 2 nd : 2.2 - 3 rd : 3.4 Rev: 1.4 km/h
Dimensions	1560x670x1185 mm
Weight	135 kg

Flail mowers for intensive use

Flail mowers for intensive jobs are designed for work on grass, shoots, branches, low vegetation, scrub and stubble. They respond effectively to demanding applications such as uncultivated scrubland, roadside verges, brambles and undergrowth. The professional cutting unit with 38 Y-shaped flail blades offers excellent cutting quality. The pivoting and lockable front wheels make it possible to maintain the required cutting trajectory even on irregular surfaces. Technology paired with ergonomics: these models have comfortable handlebars with height and width adjustment, and the wheel release, brakes and gear control levers are all grouped together and within easy reach.



Independent steering clutches on the driving wheels with wheel locking function, making the machine extremely easy to manoeuvre.



The handlebars have 4 vertical adjustment positions and 5 horizontal adjustment positions.



Rotor with powerful and sturdy 'Y' shaped knives to cut and shred grass and clippings efficiently with no risk of impact or damage.



The gear selection lever on the handlebar is simple to operate.



Only available
in certain markets

DR 65 K1100H

DR 65 HR11

Displacement	302 cm ³	389 cm ³
Engine make/model	Emak K 1100 H	Honda GX 340
Cutting width	65 cm - 38 blades	65 cm - 38 blades
Transmission	3 forward speeds + reverse	3 forward speeds + reverse
Cutting height adjustment	centralised (20 - 80 mm)	centralised (20 - 80 mm)
Handlebar adjustment	4 height settings + 5 width settings	4 height settings + 5 width settings
Wheels	2 + 2 pivoting with brake	2 + 2 pivoting with brake
Speed	1 st : 1.2 - 2 nd : 2.2 - 3 rd : 3.4 Rev: 1.4 km/h	1 st : 1.2 - 2 nd : 2.2 - 3 rd : 3.4 Rev: 1.4 km/h
Dimensions	1657x1092x814 mm	1657x1092x814 mm
Weight	160 kg	173.5 kg

Professional Flail mowers

Professional flail mowers are designed for professional and intensive work on grass, shoots, twigs and low vegetation, scrub and stubble. They respond effectively to heavy-duty applications that are beyond the reach of conventional mowers, such as clearing of overgrown areas, roadside verges, steep slopes, brambles and undergrowth. The professional cutting unit offers exceptional cutting quality, while the tracked propulsion system fitted on model **DR 100 TR**, together with the pivoting and lockable front wheels, help to maintain the desired cutting trajectory even on irregular surfaces.



Independent steering clutches on the driving wheels with wheel locking function, making the machine extremely easy to manoeuvre.



Pivoting front wheels, lockable from the driving position (model **100**, **100 TR**).



Rotor with powerful and sturdy "Y" shaped knives to cut and shred grass and clippings efficiently with no risk of impact or damage.



Tracked propulsion system, oscillating on the vertical plane (model **100 TR**).



DR 80 HR11

DR 100

DR 100 TR

	DR 80 HR11	DR 100	DR 100 TR
Displacement	389 cm ³	389 cm ³ (Honda) 429 cm ³ (Kohler)	389 cm ³ (Honda) 429 cm ³ (Kohler)
Engine make/model	Honda GX 340 Honda GX 340 ALPIN	Honda GX 390 Honda GX 390 ALPIN Kohler CH 440	Honda GX 390 ALPIN Kohler CH 440
Cutting width	80 cm - 46 blades	100 cm - 58 blades	100 cm - 58 blades
Transmission	3 forward speeds + reverse	3 forward speeds + reverse	3 forward speeds + reverse
Cutting height adjustment	centralised (20 - 80 mm)	centralised (20 - 80 mm)	centralised (20 - 80 mm)
Handlebar adjustment	4 height settings + 5 width settings	4 height settings + 5 width settings	4 height settings + 5 width settings
Wheels	2 + 2 pivoting with brake	2 wheels (18 - 9.50/8") + 2 swivel wheels lockable via handlebars + steering brakes + parking brake	tracks + 2 swivel wheels lockable via handlebars + steering brakes + parking brake
Speed	1 st : 1.2 - 2 nd : 2.2 - 3 rd : 3.4 Rev: 1.4 km/h	1 st : 1.4 - 2 nd : 2.5 - 3 rd : 3.9 Rev: 1.6 km/h	1 st : 1.2 - 2 nd : 2.2 - 3 rd : 3.4 Rev: 1.4 km/h
Dimensions	1657x1092x964 mm	1660x1220x1355 mm	1660x1220x1355 mm
Weight	175 kg	203 kg	245 kg

Tackle any lawn with comfort and power at the wheel of an **Efco** garden tractor.

Technology and comfort

A garden tractor is an invaluable helpmate for the management of large size gardens, grounds and public spaces. In situations of this type, the use of an agile and powerful garden tractor can make all the difference. Rugged and exceptionally manoeuvrable, **Efco** garden tractors are equipped with agile steering systems that allow them to negotiate even the tightest turns. The ease of manoeuvring in the proximity of trees and shrubs makes for greater precision and speed for lawn finishing operations. The **Efco** models are designed to adapt their progress to match the type of terrain. Equipped with hydrostatic transmission that enables the speed to be controlled by depressing a pedal, without having to stop the machine, or with mechanical lever transmission (model **EF 86 R/12,5 K M**). The different engine types, either single-cylinder or twin-cylinder, offer different power outputs depending on the model, to suit the surface area and the type of surface to be cut.



"4-cutting device": versatile cutting system that includes mulching, collection and side discharge as standard, with deflector for rear discharge.



The electromagnetic clutch engages quickly and quietly by way of a handy dash-mounted button.



The cruise control function allows you to set a constant ground speed and thereby get the job done more efficiently.



Practical cutting height adjustment with a conveniently positioned lever, with a graduated scale to show the cutting height at a glance.



Front axle cast in steel to withstand even the heaviest of duties and resist accidental impact.



Mulch/collect "Change over" system: using a handy lever, the operator can close off the collection duct and switch automatically to mulching mode, without stopping.



Garden Tractors

Guide to selection

		HOME	COUNTRYSIDE	WOODLAND	URBAN
CUTTING THE LAWN GRASS ON A LARGE SCALE	Garden Tractors	Rider	ZEPHYR		
		Side-discharge	EF 99 EF 109		EF 99 EF 109
		Rear-discharge	EF 86 EF 92 EF 95 EF 105 EF 106 EF 124 EF 125		EF 86 EF 92 EF 95 EF 105 EF 106 EF 124 EF 125
		Professional all-terrain		TUAREG 92 EVO TONKAWA 110 4x4	

Rider Mowers

Rider mowers are designed to manage small and medium sized lawns of up to 4,000 m². Small and compact, with engine power of up to 13 HP, the rider mowers are designed to move with ease and precision around gardens with a large number of trees, bushes and other obstacles. Several models are convertible for mulching operation, while the 4-cutting device model can be set up for side clippings discharge by fitting a deflector, supplied as standard. Rider mowers offer a comfortable and safe driving experience in all situations and on all types of terrain.



Practical cutting height adjustment with a conveniently positioned lever, with a graduated scale to show the cutting height at a glance.



The telescopic bag emptying lever positioned within easy reach of the driver's seat allows the operator to tip and empty the full bag effortlessly and without twisting the body.



The electromagnet clutch is engaged quickly and quietly by way of a handy dash-mounted button.



The garden tractor can be stored in a vertical position over winter to save space.



ZEPHYR 72/12,5 K H

ZEPHYR 72/13 H

Displacement	413 cm ³	344 cm ³
Engine make/model	Emak K 1250 AVD	B&S Powerbuilt 3125E AVS series
Cutting width/Number of blades	72 cm/1	72 cm/1
Cutting height	30-80 mm, 7 positions	30-80 mm, 7 positions
Propulsion	hydrostatic	hydrostatic
Speed	from 0 to 8.6 km/h in forward drive from 0 to 3.2 km/h in reverse	from 0 to 8.6 km/h in forward drive from 0 to 3.2 km/h in reverse
Turning radius	45 cm	45 cm
Bag capacity	180 L	180 L
Overall dimensions	198x73x110 cm	198x73x110 cm
Mulching/Side discharge	optional/optional	standard/standard
Weight	192 kg	192 kg

Side-discharge Garden Tractors

Side-discharge garden tractors are ideal for areas of up to 8,000 m². These models feature hydrostatic transmission for smooth travel and easily accessible controls conveniently located on the dashboard. Thanks to an easy-to-install kit, certain models can be converted for mulching mode operation: the mulching system keeps the clippings circulating under the deck for longer, reducing them to a fine particulate so they can be returned directly to the terrain where they constitute a valuable nutrient for the lawn.



Practical cutting height adjustment with a conveniently positioned lever, with a graduated scale to show the cutting height, selected from among 7 positions.



The electromagnetic clutch is engaged quickly and quietly by way of a handy dash-mounted button.



The quick-fit "Deck Wash System" connector on the mowing deck makes it possible to direct water inside the deck for quick and easy cleaning of the cutting mechanism.



Generously sized front bumper in steel for high strength and resistance in the case of accidental impact.



Only available
in certain markets

EF 99 L/14,5 K

EF 109 L/16 K

Displacement	432 cm ³	452 cm ³
Engine make/model	Emak K 1450 AVD	Emak K 1600 AVD
Cutting width/Number of blades	98 cm/2	108 cm/2
Cutting height	30-90 mm, 7 positions	30-90 mm
Propulsion	hydrostatic	hydrostatic
Speed	from 0 to 8.8 km/h in forward drive from 0 to 4.5 km/h in reverse	from 0 to 8.8 km/h in forward drive from 0 to 4.5 km/h in reverse
Turning radius	45 cm	45 cm
Overall dimensions	172x129x110 cm	172x139x110 cm
Mulching/Side discharge	standard/standard	standard/standard
Weight	169 kg	170 kg

Rear-discharge Garden Tractors

Rear-discharge garden tractors with cutting width of 86 cm combine strength, reliability and compactness with high load capacity. Designed for areas up to 4,000 m², they are equipped with an electromagnetic clutch for cutter blade engagement and a cutting width of 84 cm, making them ideal for mowing and collecting clippings in confined spaces. Available in two configurations: with mechanical gear transmission or pedal-operated hydrostatic transmission. They can be configured for grass cutting collection using the 300-litre grass catcher, for discharging from the rear, or for the mulching function. Battery charger and towing hitch are supplied as standard.



The quick-fit "Deck Wash System" connector on the mowing deck makes it possible to direct water inside the deck for quick and easy cleaning of the cutting attachment.



Generously sized front bumper in steel for high strength and resistance in the case of accidental impact.



LED headlights with daytime function ensure high visibility even in low light conditions.



Practical cutting height adjustment with a conveniently positioned lever, with a graduated scale to show the cutting height at a glance.



Only available
in certain markets

EF 86 R/12,5 K M

EF 86 R/14,5 K

Displacement	413 cm ³	432 cm ³
Engine make/model	Emak K 1250 AVD	Emak K 1450 AVD
Cutting width/Number of blades	86 cm/2	86 cm/2
Cutting height	30-90 mm, 7 positions	30-90 mm, 7 positions
Propulsion	mechanical (5 forward speeds + reverse)	hydrostatic
Speed	from 1.6 to 7.5 km/h in forward drive 2.5 km/h in reverse	from 0 to 8.8 km/h in forward drive from 0 to 4.5 km/h in reverse
Turning radius	45 cm	45 cm
Bag capacity	300 L	300 L
Overall dimensions	250x96x110 cm	250x96x110 cm
Mulching/Side discharge	standard/not available	standard/not available
Weight	190 kg	190 kg

Rear-discharge Garden Tractors

Rear-discharge garden tractors with cutting width of 92 and 95 cm combine compactness and reliability with high load capacity. Designed for areas up to 4000 m², they are equipped with hydrostatic transmission and electromagnetic clutch for cutter blades engagement, with mulch cutting option. They can be configured for grass cutting collection using the high-capacity grass catcher (up to 310 litres), for discharging to the rear, or for distributing the chopped cuttings (mulching function).



Practical cutting height adjustment with a conveniently positioned lever, with a graduated scale to show the cutting height at a glance.



Generously sized front bumper in steel for high strength and resistance in the case of accidental impact.



The cutting blades are activated simply by pushing the electromagnetic clutch control button located on the dashboard. This system engages the blade with no kickback.



Small turning radius for agile cornering around ornamental plants or shrubs without having to perform awkward reversing or repositioning manoeuvres.



< 4000 m²



< 5000 m²



< 4000 m²



Only available
in certain markets

EF 92 R/16 K

EF 92/16 K H

EF 95/16 K

Displacement	452 cm ³	452 cm ³	452 cm ³
Engine make/model	Emak K 1600 AVD	Emak K 1600 AVD	Emak K 1600 AVD
Cutting width/Number of blades	95 cm/2	92 cm/2	95 cm/2
Cutting height	30-90 mm, 7 positions	20-80 mm, 6 positions	30-90 mm, 7 positions
Propulsion	hydrostatic	hydrostatic	hydrostatic
Speed	from 0 to 8.8 km/h in forward drive from 0 to 4.5 km/h in reverse	from 0 to 9.0 km/h in forward drive from 0 to 7.0 km/h in reverse	from 0 to 9.0 km/h in forward drive from 0 to 4.0 km/h in reverse
Turning radius	45 cm	80 cm	75 cm
Bag capacity	300 L	300 L	310 L
Overall dimensions	250x99x110 cm	248x95x112 cm	251x117x100 cm
Mulching/Side discharge	standard/not available	optional/not available	standard/not available
Weight	192 kg	255 kg	230 kg

Rear-discharge Garden Tractors

Rear-discharge garden tractors with cutting width of 102 and 105 cm combine strength and reliability with high cutting and load capacity. Designed for areas up to 7000 m², they are equipped with hydrostatic transmission and electromagnetic clutch for cutter blades engagement, with mulch cutting option. They can be configured for grass cutting collection using the high-capacity grass catcher (up to 320 litres), for discharging to the rear, or for distributing the chopped cuttings (mulching function).



The quick-fit "Deck Wash System" connector on the mowing deck makes it possible to direct water inside the deck for quick and easy cleaning of the cutting mechanism (106).



Comfortable driving position thanks to the seat, which can be adjusted directly from the driver's seat to suit the operator's height.



The cutting blades are activated simply by pushing the electromagnetic clutch control button located on the dashboard. This system engages the blade with no kickback.



Generously sized front bumper in steel for high strength and resistance in the case of accidental impact.



Only available
in certain markets

EF 105/16 K

EF 106/16 K H

EF 106/22 H

Displacement	452 cm ³	452 cm ³	656 cm ³
Engine make/model	Emak K 1600 AVD	Emak K 1600 AVD	B&S Professional V-Twin 7220PXI series
Cutting width/Number of blades	105 cm/2	102 cm/2	102 cm/2
Cutting height	30-90 mm, 7 positions	30-95 mm, 7 positions	30-95 mm, 7 positions
Propulsion	hydrostatic	hydrostatic	hydrostatic
Speed	from 0 to 9.0 km/h in forward drive from 0 to 4.0 km/h in reverse	from 0 to 9.0 km/h in forward drive from 0 to 4.5 km/h in reverse	from 0 to 9.0 km/h in forward drive from 0 to 4.5 km/h in reverse
Turning radius	75 cm	40 cm	40 cm
Bag capacity	310 L	320 L	320 L
Overall dimensions	251x117x100 cm	242x106x116 cm	242x106x116 cm
Mulching/Side discharge	standard/not available	optional/not available	optional/not available
Weight	240 kg	272 kg	278 kg

Rear-discharge Garden Tractors

Rear-discharge garden tractors equipped with powerful twin-cylinder engines (Emak and B&S) and cutting width of 122 cm (models **124**) and 125 cm (model **125**) are particularly suited to areas up to 9,000 m². They are equipped with hydrostatic transmission, electromagnetic clutch for blade engagement and a large grass catcher with a capacity of over 300 litres. The mulching kit, which is a standard feature on the 125 model, chops up grass and deposits it on the ground to act as a fertiliser.



Practical cutting height adjustment with a conveniently positioned lever, with a graduated scale to show the cutting height at a glance.



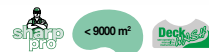
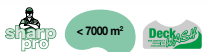
The towing hitch, fitted as standard, makes the machine even more versatile, allowing it to tow a trailer or lawn roller.



Generously sized front bumper in steel for high strength and resistance in the case of accidental impact.



The **125** model includes cruise control as standard, allowing you to set a constant ground speed and thereby get the job done more efficiently.



EF 106/24 K H	EF 124/22 H	EF 124/24 K H	EF 125/22 V
708 cm ³	724 cm ³	708 cm ³	586 cm ³
Emak K 2400 AVD V-Twin	B&S Professional V-Twin 7220PXI series	Emak K 2400 AVD V-Twin	B&S V-Twin Intek 7220 OHV series
102 cm/2	122 cm/2	122 cm/2	125 cm/2
30-95 mm, 7 positions	25-90 mm, 7 positions	25-90 mm, 7 positions	30-90 mm, 7 positions
hydrostatic	hydrostatic	hydrostatic	hydrostatic
from 0 to 9.0 km/h in forward drive from 0 to 4.5 km/h in reverse	from 0 to 9.0 km/h in forward drive from 0 to 4.5 km/h in reverse	from 0 to 9.0 km/h in forward drive from 0 to 4.5 km/h in reverse	from 0 to 9.0 km/h in forward drive from 0 to 4.0 km/h in reverse
40 cm	50 cm	50 cm	70 cm
320 L	380 L	380 L	310 L
242x106x116 cm	264x127x129 cm	264x127x129 cm	251x119x130 cm
optional/not available	optional/not available	optional/not available	standard/not available
278 kg	293 kg	298 kg	275 kg

Professional all-terrain Garden Tractors

Sturdy and reliable, professional all-terrain garden tractors are suitable for large areas up to 10,000 m². They are designed for clearing and tidying overgrown areas with thick vegetation and on uneven and sloping ground where pick-up is not required. These garden tractors are equipped with various devices to facilitate the work of the operator, such as the hydrostatic transmission controlled by a single pedal for travel direction and speed, the self-locking differential and the cutter drive electromagnetic clutch. Cruise Control is standard on all models, operated using a lever on the **TUAREG** and a button on the **TONKAWA**, and enables a constant travel speed to be maintained while working.



Self-locking differential for the maximum traction in all conditions of terrain and gradient.



The large tyre footprint and low centre of gravity combine to maximise stability of the machine, even on steeper gradients and when working alongside verges and ditches.



Equipped as standard with roll bar, front and rear bumpers, side guards and seat belt to ensure maximum safety, even when tackling the most complex situations (**TONKAWA**).



110 cm cutting deck with 3 rotors and 6 mulching blades for finely chopping all types of grass and shrubs (**TONKAWA**).



Only available
in certain markets

TUAREG 92 EVO

TUAREG 92 EVO 4x4

TONKAWA 110 4x4

Displacement	627 cm ³ 708 cm ³	627 cm ³ 708 cm ³	627 cm ³
Engine make/model	B&S Vanguard V-Twin Emak K 2400 AVD V-Twin	B&S Vanguard V-Twin Emak K 2400 AVD V-Twin	B&S Vanguard V-Twin
Cutting width/Number of blades	92 cm/1	92 cm/1	110 cm/3
Cutting height	50-120 mm, 6 positions	50-120 mm, 6 positions	40-120 mm, 4 positions
Propulsion	hydrostatic self-locking differential	hydrostatic 4 WD self-locking differential	hydrostatic 4 WD self-locking differential
Speed	from 0 to 8.5 km/h in forward drive from 0 to 4.5 km/h in reverse	from 0 to 9.0 km/h in forward drive from 0 to 5.0 km/h in reverse	from 0 to 9.0 km/h in forward drive from 0 to 5.0 km/h in reverse
Turning radius	65 cm	65 cm	73 cm
Overall dimensions	231x101x151 cm	231x101x151 cm	235x116x174 cm
Mulching/Side discharge	optional/not available	optional/not available	optional/not available
Weight	317 kg	350 kg	401 kg



Accessories for Garden Tractors

Part number	Machines													
	ZEPHYR 72/13 H	ZEPHYR 72/12,5 K H	99 L	109 L	86 R	92 R	92	106	124	95	105	125	TUAREG EVO 4x2 - 4x4	TONKAWA 110 4x4

Mulching kit

This kit serves to shred grass cuttings into very fine particles and distribute them around the base of the grass stems, leaving a perfectly clean lawn and ensuring a clean and uniform cut.

		68130438	●																
		68132062		○															
	Mulching kit	NA			●	●													
		NA					●	●											
		68120005A															○	○	
		68120025										○							
		68120008A											○						
	Mulching kit	68050012											●						
		68050013													●				
		68040001															●		

Discharge deflectors

To discharge the grass cuttings onto the lawn surface when working.

	Rear deflector	68130404	○	○															
		68120003								○	○	○							
		68050011											○	○	○				
	Side deflector	68130591	●																
	Side discharge conversion kit	68132044A		○															

Steering wheel knob

Increases ergonomic comfort while driving the tractor or emptying the grass catcher, allowing the operator to steer the vehicle with just one hand.

	Steering wheel knob	68130600	○															
--	---------------------	----------	---	--	--	--	--	--	--	--	--	--	--	--	--	--	--	--

● standard equipment ○ compatible tools

Accessories for Garden Tractors








	Part number	Machines															
		ZEPHYR 72/13 H	ZEPHYR 72/12,5 K H	99 L	109 L	86 R	92 R	92	106	124	95	105	125	TUAREG EVO 4x2 - 4x4	TONKAWA 110 4x4		
Battery charger To keep the battery in good working order during periods of disuse, ensuring the optimum charge level and longer lifetime.																	
	Battery charger	68130481	●	●	●	●	●	●	○	○	○	○	●	●	○	○	
Towing kit Makes it possible to tow a small trailer.																	
	Towing kit	68130458	●	○													
		NA			●	●											
		NA					●	●									
		68120007													○	○	
Snow blade Extremely robust metallic blades, ideal for clearing snow from steps and pedestrian access ways.																	
	Snow blade with rubber edge	68120009A								○					○		
		68120026							○								
	125 cm snow blade	68050015									○	○	○				
	Snow blade connection lunge	68050008									○	○	○				
		68120031							○								
		68120015													○		
		68120027							○								

● standard equipment ○ compatible tools



Accessories for Garden Tractors

	Part number	Machines															
		ZEPHYR 72/13 H	ZEPHYR 72/12,5 KH	99 L	109 L	86 R	92 R	92	106	124	95	105	125	TUAREG EVO 4x2 - 4x4	TONKAWA 110 4x4		
Snow chains For enhanced grip and traction when working on snow-covered terrain. Easy fitting and removal.																	
	Snow chains for 20 x 10-8 wheels	68120014											○	○	○	○	○
	Snow chains for 18 x 8.50-8 wheels	68050026			○	○	○	○									
Trailer Lightweight and durable, ideal for transporting grass cuttings, green waste or other material. Detachable steel frame with reinforced bar. Dimensions: 72 x 103 x 28 cm. Max load capacity approx. 230 kg.																	
	Trailer	68130005A	○	○	○	○	○	○	○	○	○	○	○	○	○	○	○
Lawn roller Lawn roller, perfect for soil compaction after sowing.																	
	Lawn roller Length 98 cm Diameter 90 cm Weight with water 140 kg Weight with sand 235 kg	68050010	○	○	○	○	○	○	○	○	○	○	○	○	○	○	○
Electric bag emptying kit																	
	Electric bag emptying kit	68050014												○	○	○	
Metal bumper kit																	
	Metal bumper kit	68050018												○	○	○	

● standard equipment ○ compatible tools

Efco water pumps: readily accessible water power to irrigate the soil.



Technology and comfort

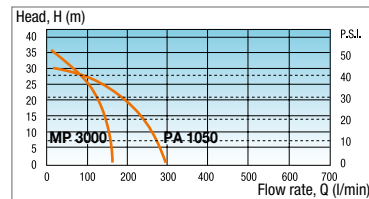
The complete range of **Efco** water pumps complies both with the needs of home users and with those of professionals, for use in agriculture and on building sites. Lightweight and practical but simultaneously rugged and exceptionally reliable through time, these units are designed for the irrigation of plants, vineyards and allotments or for emptying duties. **Efco** water pumps feature a high suction head to flow rate ratio for the utmost flexibility in all working conditions and optimal efficiency, also when located at a distance from water sources.



Thanks to its plastic body, the machine is extremely light.



Tough tubular steel frame facilitating transport of the machine and affording protection from accidental impact.



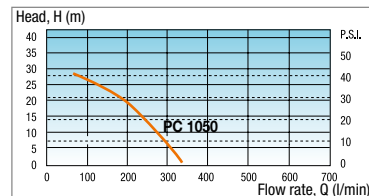
Self-priming water pumps: **Efco** models are characterised by an excellent Head/Flow Rate ratio.



Tough aluminium pump casing ensures maximum long-term durability.



Steel crankshaft and piston with 2 rings guarantee prolonged service life.



Non self-priming water pumps: **Efco** models are characterised by an excellent Head/Flow Rate ratio.



Water Pumps

Guide to selection

MP 3000

		Total head H (m)							
		1.5	3	5	10	15	20	25	30
Total length of pipeline Ø 25 mm	5	137	132	128	124	108	98	72	57
	20	108	104	100	89	76	63	57	41
	50	82	79	76	67	58	46	33	12
	100	62	60	57	50	43	34	25	10
	200	46	44	42	37	32	25	16	
	500	28	27	25	22	20	15		
L (m)		Flow rate Q (l/min)							

PA 1050


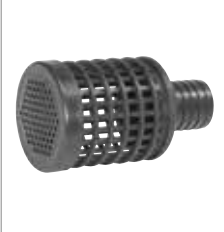




		Total head H (m)							
		1.5	3	5	10	15	20	25	30
Total length of pipeline Ø 40 mm	5	266	260	247	205	185	150	100	50
	20	240	230	220	195	167	132	85	45
	50	202	195	185	165	142	115	72	40
	100	170	162	157	140	118	98	70	37
	200	130	127	120	107	92	76	55	
	500	90	87	82	72	63	51	40	
L (m)		Flow rate Q (l/min)							

PC 1050

		Total head H (m)							
		1.5	3	5	10	15	20	25	30
Total length of pipeline Ø 40 mm	5	308	300	286	250	205	160	120	55
	20	270	260	250	220	185	150	100	53
	50	222	212	203	180	152	123	90	50
	100	177	171	165	148	125	102	78	40
	200	137	130	125	110	98	80	58	
	500	90	88	82	75	65	52	40	
L (m)		Flow rate Q (l/min)							

Self-priming Water Pumps

Self-priming water pumps are ideal for irrigation of gardens and small crop cultivation areas. Compact, extremely lightweight and reliable, these machines provide running time of one hour with a full tank. Model **MP 3000** features significantly reduced noise levels and vibration thanks to the new engine configuration, with its lower speed operating setting. Reducer fittings kit, complete with seals to ensure optimal watertightness and high performance. The fittings allow easy connection between the pump and the most commonly used rubber hoses.

					
1" fittings kit (as standard on MP 3000 , PA 1050).	Water filter with 1" fitting (as standard on MP 3000 , PA 1050).	Ø 1" spiral hose, length 4m (optional on MP 3000).	1" ½ fittings kit (standard on PA 1050).	Water filter with 1" ½ fitting (standard on PA 1050).	Optional curved fitting kit with 1" ½ to 1" reduction (standard on PA 1050).
340000002R	340000001R	340000031	341000016A	341000017	341000102



MP 3000



PA 1050

Power	1.3 HP – 1.0 kW	2.1 HP - 1.6 kW
Displacement	30 cm ³	50.2 cm ³
Max. flow rate/Max. head	150 L/min/36 m	270 L/min/30 m
Suction Ø/Delivery Ø/Suction head	1"/25.4 mm/7 m	1.5"/38.1 mm/7.3 m
Pump type	centrifugal	centrifugal
Fuel tank capacity	0.83 L	1.10 L
Sound pressure/power level	99.3/102 dB(A)	88/100.8 dB(A)
Total dry weight	5.5 kg	8.5 kg

Not self-priming Water Pumps

The non self-priming water pump is the optimal solution for handling high liquid flow rates, thanks also to its long operating time. This unit is equipped with a practical carry handle for easy transport and a solid tubular steel frame to protect it from accidental impact. The **PC 1050** non self-priming water pump is designed to provide lasting operation with reduced wear, thanks to the rugged pump body in aluminium and the ceramic mechanical seals. Reducer fittings kit, complete with seals to ensure optimal watertightness and high performance. The fittings allow easy connection between the pump and the most commonly used rubber hoses.



1" 1/2 fittings kit (as standard).

341000016A



Water filter with 1" 1/2 fitting and foot valve (as standard).

332000010R



PC 1050

Power	2.1 HP - 1.6 kW
Displacement	50.2 cm ³
Max. flow rate/Max. head	320 L/min/30 m
Suction Ø/Delivery Ø/Suction head	1.50"/38.1 mm/7.3 m
Pump type	centrifugal
Fuel tank capacity	1.10 L
Sound pressure/power level	88/100.8 dB(A)
Total dry weight	6.5 kg

Easy to handle, versatile and smart: high performance for your groundcare requirements.

Technology and comfort

The backpack mistblowers are a paradigm of ergonomics and efficiency, combining top performance and operator comfort. The controls located on the handle are perfectly accessible, the tanks are generously sized, and the aluminium fan is safe and efficient. The petrol engine guarantees reliability and a long working life, while the adjustable jet allows the machine to be adapted to suit the type of treatment to be performed and the type of vegetation involved.



The opening angle of the jet can be adjusted rapidly and conveniently without having to stop working, enabling treatment to be customised according to each individual type of vegetation.



The controls are readily accessible and the handle can be easily adjusted in accordance with the crops to be treated, also with a forward angle for the optimal wrist position when spraying with the tube positioned vertically.



The booster pump (supplied on request) increases the liquid throw to improve reach height.



The optional ULV kit allows optimal atomisation of the sprayed liquid to ensure targeted treatment, eliminating overspray and wastage of product.



Maximum user comfort thanks to the ergonomic harness and vibration-damping system of the frame.



Easy-to-install powder kit affords numerous options for selection of the quantity delivered.





Backpack Mistblowers

Guide to selection

		COUNTRYSIDE	URBAN
DISINFESTING PLANTS, VINEYARDS, ORCHARDS	Backpack		AT 800 / AT 8000 AT 2063

Backpack Mistblowers

For treatment and pest control of crops, small plantations and nurseries. These machines can deliver liquids (such as fungicides and pesticides) or powders. The mistblowers have an ergonomic harness and frame mounted on a vibration-damping system for the maximum user comfort.



The EasyLift mixture cap is the most practical solution for fast fluid top-up. The conveniently folding rear handgrip is ergonomic and ensures easy use of the filler caps without the need for tools.



The booster pump keeps the solution of liquids in the tank thoroughly mixed, increasing and stabilising the delivery flow rate of the product (supplied as standard on the **AT 2063** model).



In model **AT 2063**, the ULV kit provides optimal atomisation of the sprayed liquid to ensure targeted treatment, eliminating overspray and wastage of product.



In model **AT 2063**, the telescoping blower tube has been designed to ensure maximum comfort for the operator. The control handle is adjustable, allowing the longitudinal movement and rotation of the blower tube and handgrip.



AT 800



AT 2063

AT 8000

	AT 800	AT 2063
Power	5.0 HP - 3.7 kW (SAE)	4.4 HP - 3.3 kW
Displacement	72.4 cm ³	61.3 cm ³
Max. air flow	16.0 m ³ /min	20 m ³ /min
Air speed	120 m/sec	90 m/sec
Liquid delivery rate	0.5 ÷ 3 L/min	0.67 ÷ 5.15 L/min
Liquid tank capacity	14 L	16 L
Sound pressure/power level	95.7/109.6 dB(A)	102/112 dB(A)
Lh/rh vibration level	< 2.5 m/s ²	< 2.5 m/s ²
Weight	12.5 kg	11.5 kg

Accessories for backpack Mistblowers

	Part number	Machines		
		AT 800/AT 8000	AT 900/AT 9000	AT 2063
Dusting kit Conversion kit for treatment based on microgranule chemical powder. Rather than entering into contact with the fan, the powder/granules are conveyed directly into the blower tube.				
	365200114	<input type="radio"/>		
	56062004		<input type="radio"/>	
	56022027			<input type="radio"/>
Diffusers kit Allow the operator to direct or reduce the intensity of the liquid jet in accordance with application directions of the treatment liquids.				
	365100062A	<input type="radio"/>		
	56062003		<input type="radio"/>	
ULV kit Provides optimal atomization of the sprayed liquid to ensure targeted treatment eliminating overspray and wastage of product.				
	365200203A	<input type="radio"/>		
	56062005		<input type="radio"/>	
Booster pump The booster pump keeps the solution of liquids in the tank thoroughly mixed, increasing and stabilizing the delivery flow rate of the product. The booster and filler version allows the tank to be filled without obliging the operator to take off the backpack.				
	365200273CR	<input type="radio"/>		
	56062001		<input type="radio"/>	
	56062002		<input type="radio"/>	
Extension tubes kit Extension tubes make it possible to change the blower tube terminal angle to adapt the jet for different treatment types.				
	56062006		<input type="radio"/>	

o compatible tools

Rugged and reliable, **Efco** rotary tillers prepare the terrain for small and large-scale landscaping projects.

Technology and comfort

Efco rotary tillers are rugged and reliable, manoeuvrable and easy to use. Safe and made of materials capable of guaranteeing lasting strength, **Efco** rotary tillers are a valid aid for gardeners, smallholders and landscapers working on medium sized plots. For higher levels of comfort, certain models are equipped with handlebars with height adjustment to adapt to the operator's stature, and lateral adjustment for easier working alongside crop rows without having to walk over previously tilled ground. Several accessories can be fitted to the machine, including an adjustable furrower and steel or tyred wheels, making it a multipurpose tool for use in the allotment and in the garden.



The chain guard is reinforced to withstand flying stones and accidental impact.



The front wheel is included for transport purposes, and can be raised when the machine engages the soil.



External gear selector, ergonomically designed and easily accessible.



The handlebars are fully adjustable: up and down, to adapt to the user's height and build, and sideways (offset), allowing the operator to walk alongside crops without treading on the freshly turned soil.



Towing hitch.



Oil-bath gear drive for high mechanical strength and reduced maintenance.



Rotary Tillers

Guide to selection

		HOME	COUNTRYSIDE
SOWING AND CULTIVATING	Compact		MZ 2055
	Medium power		MZ 2075 MZ 2098

Compact Rotary Tillers

Ideal for home users who need to prepare vegetable gardens and flower beds for seeding, this model offers an excellent combination of manageability and user-friendliness.



Rear wheel for easy transportation of the machine.



Speed regulator with integrated on-off system and control lever located within easy reach.



46 cm rotor with three elements on each side, reducible to 32-22 cm.



Scarifier.

69209018



MZ 2055 K

Engine make/model	Emak K 300 H OHV
Displacement	80 cm ³
Gearbox	1 forward speed
Rotor	3+3 blades - 46 cm
Handlebars	with vertical adjustment
Transmission	in steel
Dimensions	115x110x46 cm
Weight	27 kg

Medium power Rotary Tillers

Compact and lightweight, medium power rotary tillers are designed for the care and maintenance of allotments, gardens and plots of medium size, and also smaller spaces and around low height plants. Manoeuvrable, lightweight, and easy to use. The handlebars are adjustable to all positions so they can be adapted to match the preferences of any user or working situation; for model **MZ 2098 RKS** adjustment is achieved with a practical lever on the handlebars.



Ideal for deep furrowing of hard and uncultivated terrain and to prepare the ground for tillage.

Lateral transport wheels to easily move the machine on hard surfaces in case of different activities on the soil.

Adjustable furrower.
Compatible
MZ 2075 RKS *
MZ 2098 RKS

Adjustable plough.
Compatible
MZ 2075 RKS *
MZ 2098 RKS

Potato digger.
Compatible
MZ 2075 RKS *
MZ 2098 RKS

Pair of tyred wheels
3.50-6".
Compatible
MZ 2098 RKS

Pair of tyred wheels
3.50-8".
Compatible

Pair of metal wheels.
Compatible

69209081

69209082

69209083

69209089

MZ 2075 RKS
69209131
MZ 2098 RKS
69209114

MZ 2075 RKS
69209084
MZ 2098 RKS
69209116

* requires tool holder **69209087**



Horse Plus

Tough Green

MZ 2075 RKS

MZ 2098 RKS

Engine make/model	Emak K 800 HT OHV	Emak K 800 HC OHV
Displacement	182 cm ³	182 cm ³
Gearbox	1 forward speed + 1 reverse	2 forward speed + 1 reverse
Rotor	3+3 blades – 82 cm reducible to 55-35 cm, with protection discs	3+3 blades – 85 cm reducible to 35 cm, with protection discs
Handlebars	fully adjustable	fully adjustable
Rear tool holder	optional (part number 69209087)	standard
Dimensions	140x80x82 cm	163x105x85 cm
Weight	57 kg	63 kg

Power, manoeuvrability and precision for drilling all types of terrain.



Technology and comfort

Efco earth augers are ideal for drilling holes for vines or trees, greenhouse poles, fence uprights and lamp posts. Our models offer high stress resistance under the most extreme conditions and in all working environments.



Ergonomic handle for exceptional comfort: equipped with throttle trigger lockout to prevent unintentional acceleration.



Diaphragm carburettor allows the machine to operate in any position without leakage of fuel.



Professional aluminium gearbox with gears running in ball bearings: guarantee of long life, quiet operation and reduced vibration.

Guide to selection

		HOME
DRILLING THE SOIL	Medium power	TR 1551



Earth Augers

Medium power Earth Augers

A medium-power earth auger is ideal for small drilling operations on rural terrain, such as for planting vines or trees, or for drilling holes for greenhouse poles or fence uprights. In this case the job can be done by just one operator. Model **TR 1551** is particularly safe and comfortable: all the controls are combined on the ergonomic handgrip, including a safety lever to protect against uncontrolled acceleration.



Single flight bits with single or double cutting edge (double cutting edges ensure more efficient penetration and facilitate the discharge of earth). With tip and cutting edge made of special steel to ensure top performance and excellent wear resistance.

Compatible

ø 8x100 cm	375100028A
ø 10x100 cm	375100029A
ø 15x100 cm	375100030A
ø 20x100 cm	375100031A



30 cm extension with cotter pin for increased boring depth. Compatible

375100115



TR 1551

Power	2.1 HP - 1.6 kW
Displacement	50.2 cm ³
Reduction ratio	40 : 1
Bit diameter	8-10-15-20 cm
Sound pressure/power level	100/108 dB(A)
Lh/rh vibration level	13.5/13.5 m/s ²
Weight without bit	9.1 kg



Air to keep your outdoor spaces clean, from the garden to the drive: a solution for home users and professionals alike.

Technology and comfort

Silent, lightweight and easy to use, **Efco** blowers and vacuum cleaners are valid, reliable work companions. Powerful and efficient tools designed to clear leaves, olives, hazelnuts and small debris from any surface: in private settings, to clear small areas (handheld blowers), and for professional use on farmland and in large urban spaces (backpack blowers).



"AlwaysOn" power switch: returns automatically to the ON position after each stop, thus eliminating the risk of flooding the carburettor.



Rubber covered handle ensures a firm and comfortable grip on the machine, while at the same time isolating the hands of the operator from vibrations.



Vacuumed material is chopped up by a rotor with 4 steel blades (standard feature) to reduce the volume when inside the bag, down to 1/12 of original size, so that more work can be done with fewer emptying stops.



Double bladed fan delivers high performance in terms of air flow and velocity, while increasing the cooling capacity of the engine.



Paper air filter with increased capacity and filtration surface area; allows efficient and quick maintenance and is more durable.



Digital coil with variable ignition advance and flywheel with new fin geometry: engine guaranteed to run more smoothly, and cooling rendered more efficient.



Blowers and Vacuum Cleaners

Guide to selection

		HOME	COUNTRYSIDE	WOODLAND	URBAN
BLOWING AND COLLECTING LEAVES	Battery-powered	SAi 60 BOOST			
	Handheld	SA 2500			
BLOWING OLIVES, LEAVES, HAZELNUTS	Backpack			SA 2063 SA 9010	

Battery-powered Blowers

With the leaf blower having become an essential piece of equipment for clearing work in the yard and garden, the **SAi 60 BOOST** is the most modern and practical version thanks to its battery operation, ideal power output for various duties, and air velocity control.



Outlet air speed regulator with BOOST function to further increase blowing force.



Constant performance irrespective of battery charge.



Well-balanced tool.



The coupling system with button makes the blower tube easier to assemble.



SAi 60 BOOST

Motor type	Brushless
Voltage	40 V
Operating batteries	Bi 2,0 EF / Bi 5,0 EF
Max outlet air velocity	40 m/s (BOOST 50 m/s)
Adjustable air velocity	yes, specific command (roller)
Sound pressure/power level	88.6/98 dB(A)
Vibration level	< 2.5 m/s ²
Running time, maximum speed	12' (2.0 Ah) / 25' (5.0 Ah)
Running time, minimum speed	32' (2.0 Ah) / 82' (5.0 Ah)
Weight without battery	2.8 kg
Charging time with CRG	88' (2.0 Ah) / 220' (5.0 Ah)
Charging time with FAST CRG	40' (2.0 Ah) / 90' (5.0 Ah)

Handheld Blowers and Vacuum Cleaners

Ideal for clearing the garden of leaves and other small debris or grass cuttings, the handheld blower is designed to get the job done quickly and efficiently. Model **SA 2500** combines high performance with perfect balance, while its light weight enables prolonged use without fatigue. The rubber-clad handgrip and professional anti-vibration system ensure maximum operator comfort at all times. Simple and practical to use, it enables even inexperienced users to operate the machine easily and in total safety.



Star-shaped metal shredder blade. Mounted on the standard fan, the shredder blade is invaluable when the tool is used with the vacuum cleaner kit (optional).



'S' style scroll assembly: eliminates twisting force, guaranteeing enhanced comfort during prolonged use of the machine.



Telescopic tube that allows the machine to be stored in confined spaces, without the use of tools.



Vacuum cleaner kit (optional): comprising a side handgrip with integrated anti-shock system, a suction tube, an elbow tube and a collection bag, it transforms the blower into a vacuum cleaner for collecting leaves, grass and small pruning debris.



SA 2500

Power	1.3 HP - 1.0 kW
Displacement	25.4 cm ³
Max air volume	720 m ³ /h
Max air speed	70 m/sec
Collection bag capacity	36 L
Sound pressure/power level	96.5/104 dB(A)
Vibration level	6.3 m/s ²
Dry weight, without blower tube	3.7 kg
Single harness with double snap hook	optional 61140011R
Conversion kit from blower to vacuum	optional 56602004
Blower tube with duckbill style nozzle	standard

Backpack Blowers

Backpack blowers are designed for use in rural areas, for clearing spaces such as farmyards and forecourts, and in the city, for clearing parks, sports grounds, flowerbeds and roads. They are also recommended for moving and compacting fruit and other produce as it falls from the tree. Low weight plus high air velocity and air delivery volume mean these tools can guarantee practicality, power and high performance.



Conversion kit from blower to mistblower (SA 2063).

56022030

Dusting kit for mistblower (SA 2063).

56022027



Two air delivery nozzles supplied as standard: rectangular/round section, both equipped with hemispherical support so the tube can rest on the ground on level terrain to reduce operator fatigue (SA 9010).



SA 2063

SA 9010

	SA 2063	SA 9010
Power	4.5 HP - 3.3 kW	5.0 HP - 3.6 kW
Displacement	61.3 cm ³	77 cm ³
Max. air volume	1200 m ³ /h	1645 m ³ /h
Max. air speed (with terminal)	90 m/sec	90 m/sec
Fuel tank capacity	2.1 L	2.3 L
Sound pressure/power level	101/109 dB(A)	103/105 dB(A)
Vibration level	< 3.3 m/s ²	< 2.5 m/s ²
Dry weight, without blower tube	9.4 kg	10.4 kg
Air delivery nozzle rectangular section	optional CFI2412201	standard
Air delivery nozzle circular section	optional CFI2412301	standard
Air delivery nozzle adapter	optional 56520188R	standard



Cleaning anywhere,
in all conditions:
cleanliness and hygiene take
centre stage with **Efco**
high-pressure washers.

Technology and comfort

Combining the power of water and pressure produces amazing results. **Efco** high-pressure washers are technologically advanced machines designed to clean and sanitise all types of surfaces. While the cold water high-pressure washers are perfect for cleaning duties around the home, the hot-water models are more suitable for use in industrial surroundings or for cleaning very large areas, including courtyards and covered walkways.



Axial 3-piston pump with thermal protection.



Water suction quick fitting.



Easy transport thanks to large sized wheels.



Practical handle for easier movement.



Removable detergent tank with externally visible liquid level.



Practical storage recesses to ensure accessories are always in easy reach.





High-pressure Washers

Guide selection

		HOME	COUNTRYSIDE	URBAN
WASHING THE CAR, WASHING THE OUTSIDE FLOORING	Cold water	IP 1150 IP 1250 IP 1400 IP 1500 IP 1750 IP 1900 IPX 2000		
	Hot water	IP 2500 IP 3000		

Cold water High-pressure Washers

The range of cold water high-pressure washers meets the needs of home users engaged in either occasional or intensive cleaning activities. These machines are designed to assist with cleaning of areas outside the home, in the garden, and of objects and vehicles. Packed with features for different types of use, these machines incorporate several devices aimed at maximising user comfort such as the large wheels for ease of transport and the generously sized recesses for stowing accessories and the power cable.



Easy transport thanks to large size wheels.



Practical handle for easier movement.



Removable detergent tank with externally visible liquid level.



Practical recesses to ensure accessories are always in easy reach.



Only available
in certain markets

IP 1150 S

IP 1250 S

Pressure	125 bar	150 bar
Flow rate	360 L/h	500 L/h
Rated power	1.75 kW (230 V/50 Hz)	2.35 kW (230 V/50 Hz)
Pump	aluminium	aluminium
Standard equipment	gun with protection lance with nozzle head fitting adjustable nozzle head rotary nozzle head detergent nozzle head hose reel 8 m, thermoplastic built-in detergent tank fixed brush	gun with protection lance with nozzle head fitting adjustable nozzle head rotary nozzle head detergent nozzle head hose reel 8 m, thermoplastic integral detergent tank fixed brush

Cold water High-pressure Washers



Easy transport thanks to large size wheels.



Practical handle for easier movement.



Easily removable integrated detergent tank.



Hose reel at top for practical hose management.



Only available
in certain markets

IP 1400 S

	IP 1400 S	IP 1500 S
Pressure	140 bar	150 bar
Flow rate	400 L/h	450 L/h
Rated power	2.1 kW (230 V/50 Hz)	2.2 kW (230 V/50 Hz)
Pump	aluminium	brass
Standard equipment	gun with protection lance with nozzle head fitting adjustable nozzle head rotary nozzle head detergent nozzle head hose reel 8 m, thermoplastic built-in detergent tank fixed brush	gun with protection lance with adjustable nozzle head (Securfix) lance with adjustable nozzle/foaming lance foaming lance hose reel 8 m thermoplastic hose fixed brush



IP 1500 S

Cold water High-pressure Washers



Triplex pump with axial pistons arranged vertically. Brass pump head.



Practical housing of lance gun.



Easy transport thanks to large size wheels (Ø 250 mm).



Self-priming pump and petrol engine, for jobs in places lacking an electrical power outlet (**IPX 2000 S**).



Only available
in certain markets

IP 1750 S

IP 1900 S

IPX 2000 S

Pressure	150 bar	160 bar	200 bar
Flow rate	510 L/h	600 L/h	720 L/h
Rated power	2.4 kW (230 V/50 Hz)	2.9 kW (230 V/50 Hz)	-
Rated power	-	-	6 HP
Pump	brass	brass	brass, self-priming with control valve
Standard equipment	gun with protection angled lance with adjustable nozzle 8 m rubber hose built-in detergent tank	gun with protection angled lance with adjustable nozzle angled lance with swivel nozzle hose reel 12 m rubber hose built-in detergent tank fixed brush	gun with protection lance with detergent head 8 m rubber hose

Hot water High-pressure Washers

Hot water high-pressure washer models are essential for cleaning activities on extensive areas such as courtyards and covered walkways. In industrial settings these machines are ideal for cleaning large areas of flooring and for all situations calling for the cleaning and sanitising power of hot water.



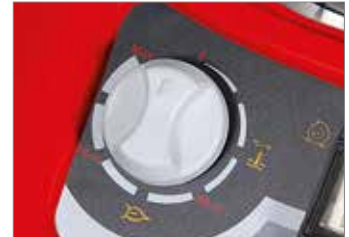
Triplex pump with axial pistons arranged horizontally with the pump at the bottom of the machine. Brass head.



Ergonomic handgrip for practical operation, with removable handle for easier transport (**IP 2500 HS**).



Double switch to select hot or cold water (**IP 2500 HS**).



Water temperature control thermostat (**IP 3000 HS**).



Only available
in certain markets








IP 2500 HS

IP 3000 HS









Pressure	150 bar	150 bar
Flow Rate	480 L/h	540 L/h
Engine power	2.3 kW (230 V/50 Hz)	2.7 kW (230 V/50 Hz)
Pump	brass	brass
Hot water temperature	60°C (max 90°C)	60°C (max 90°C)
Standard equipment	gun with protection angled lance with protection foaming lance 8m rubber hose built-in diesel tank hot/cold water selector	gun with protection lance with detergent head hose reel 10 m rubber hose built-in detergent tank built-in diesel tank temperature control thermostat

Accessories for High-pressure Washers



		Part number	Machines								
			IP 1150 S	IP 1250 S	IP 1400 S	IP 1500 S	IP 1750 S	IP 1900 S	IPX 2000 S	IP 2500 HS	IP 3000 HS
Gun Gun with protection.											
	Gun	68500059		•	•						
		68500029					•	•			
		68500030							•		
		68500031								•	•
		68500078				•					
Lance with nozzle head fitting Lance designed to accept adjustable or rotating nozzle heads.											
	Lance with nozzle head fitting	68500061	•	•	•						
		68500071							•		
Foaming lance Lance with integral detergent dispenser for more efficient washing.											
	Foaming lance	68500063	•	•	•						
		68500049					○	○		•	
		68500050							○		
		68500051									○
Floor wash lance This tool is specially designed for washing floors and surfaces on which projected spray must be avoided.											
	Floor wash lance	68500014A				○	○			○	
		68500004A					○	○			○
		68500070	○	○	○						
Rotojet lance Increases effectiveness thanks to the pressure-generated turbine effect.											
	Rotojet lance	68500046					○				
		68500047						•	○		
		68500013A									○
		68500080				•					
		68500073								○	
Lance with adjustable nozzle Allows the force of the water jet to be adjusted to match requirements.											
	Lance with adjustable nozzle	68500036					•				
		68500037						•			
		68500038							•		
		68500039								•	
		68500079				•					
Sandblast lance Highly practical and easy to use, the sandblast lance removes rust, old paint films, and accumulated deposits.											
	Sandblast lance	68500001A				○	○	○	○	○	
		68500009A									○

Accessories for High-pressure Washers

		Part number	Machines								
			IP 1150 S	IP 1250 S	IP 1400 S	IP 1500 S	IP 1750 S	IP 1900 S	IPX 2000 S	IP 2500 HS	IP 3000 HS
Adjustable nozzle head Allows the force of the water jet to be adjusted to match requirements.											
	Adjustable nozzle head	68500069	●								
		68500068		●							
		68500076			●						
Rotary nozzle head Increases effectiveness thanks to the pressure-generated turbine effect.											
	Rotary nozzle head	68500062	●	●							
		68500077			●						
Brush Driven by the pressure of the water jet. Made of natural bristles, the brushes are designed for cleaning delicate surfaces.											
	Rotary brush	68500065	○	○	○						
		68500002A				○	○	○		○	○
	Professional rotary brush	68500010A							○		○
	Fixed brush	68500064	●	●	●						
		68500003A				●	○	●	○		
High-pressure hose Flexible and strong, this hose connects the unit to the gun with protection.											
	High-pressure hose	68500023					●			●	
		68500024						●			
		68500025							●		
		68500026									
Extension hose A pressure hose for the maximum range of action.											
	6 m extension hose	68500067	○	○	○	○					
		68500060	●	●	●	●					
		68500012A					○				
	8 m extension hose	68500006A							○		
		68500052						○			○
		68500075							○		
Drain clearing attachment Unblocks drains and pipelines rapidly.											
	8 m drain clearing attachment	68500074				○				○	
	10 m drain clearing attachment	68500066	○	○	○						
	15 m drain clearing attachment	68500005A					○	○			○
	25 m drain clearing attachment	68500011A					○	○			○
Nozzle for drain clearing attachment Compatible with specific models based on flow rate in litres.											
	Drain clearing nozzle (6-9 L/min)	68500056					○	○		○	○
	Drain clearing nozzle (10-15 L/min)	68500057					○	○		○	○
Water filter kit Water filter for protecting the pump and nozzles from impurities in the water.											
	Water filter kit	68500016A					○	○	○		○

● standard equipment ○ compatible tools

The maximum loading performance and exceptional stability: **Efco** transporters fear no rivals.

Technology and comfort

Ideal for use in building construction and agriculture, **Efco** transporters are designed to carry bulky and heavy loads, also over steep and uneven terrain. Designed in compliance with the highest quality standards, these machines offer optimum performance in terms of load capacity, reliability through time, and safety. The load capacity ranges from 450 to 550 kg, allowing these machines to be used in rural surroundings, in the garden and around the farm or on building sites.



Telescoping flat body optimises transport operations, even with bulky loads.



Wide crawler tracks ensure solid grip on any type of terrain.



Tight turning radius for ease of manoeuvre on building sites or in greenhouses and vineyards.



Rugged undercarriage with track tensioner sprocket, perfectly balanced for correct weight distribution and excellent grip on all types of terrain.



Rear metal guard to maximize operator safety.



Rugged steel chassis. A low centre of gravity provides optimal stability during the job, also when working on steep gradients. The high position of the engine and transmission facilitates maintenance tasks.





Transporters

Guide to selection

		HOME	COUNTRYSIDE	WOODLAND
TRANSPORTING LOADS, WOOD, SOIL	Compact	TN 3400		
	Professional		TN 4500 TN 5600	

Compact Transporters

Compact and manoeuvrable, small transporters facilitate the transport of materials of various types, from firewood to fruit. Thanks to their features, these machines are perfect for use in rural areas for transporting loads in confined spaces and on sloping terrain. Their tight turning radius (700 mm), not only makes the transporters easier to manoeuvre, it also helps protect the surrounding vegetation during transit of the machine.



Handlebar-mounted gear lever.



Speed selection control lever.



Manual dump with automatic locking system.



High sides kit to facilitate transportation of bulky loads (compatible).

68722010



TN 3400 H

TN 3400 K

Displacement	166 cm ³	166 cm ³
Engine make/model	Honda GCVx 170 OHV	Emak K 655 OHV
Gearbox	2 + 2	2 + 2
Speed	1 st : 1.60 - 2 nd : 3.60 1 st Rev: 1.40 - 2 nd Rev: 3.40	1 st : 1.60 - 2 nd : 3.60 1 st Rev: 1.40 - 2 nd Rev: 3.40
Lift/dump	manual	manual
Minimum turning radius	700 mm	700 mm
Dump angle	45°	45°
Loading deck/Payload	telescoping/350 kg	telescoping/350 kg
Body length	93 - 106 cm	93 - 106 cm
Body width	52 - 90 cm	52 - 90 cm
Overall dimensions	153x60x90 cm	153x60x90 cm
Weight	140 kg	140 kg

Professional Transporters

The professional transporters are designed in compliance with stringent quality standards to provide elevated performance in terms of load capacity and the maximum reliability through time. These machines are ideal for easy manoeuvring around building sites or in greenhouses and vineyards. Thanks to the wide tracks on these machines, the operator can travel in safety also on the steepest slopes, with perfect grip of the machine on all types of terrain.



Independent 2100 rpm PTO.



Steering with independently controlled release and brakes.



Expandable loading deck for transporting even very bulky loads.



High sides kit to facilitate transportation of bulky loads (compatible).

CR 450/68722003

CR 560/68722004



TN 450

TN 560

	TN 450	TN 560
Displacement	163 cm ³ 182 cm ³	163 cm ³ 182 cm ³
Engine make/model	Honda GX 160 OHV Emak K 800 H	Honda GX 160 OHV Emak K 800 H
Gearbox	3 + 1R	4 + 2R
Speed	1 st : 1.88 - 2 nd : 4.13 - 3 rd : 7.00 Rev: 1.86	1 st : 1.88 - 2 nd : 3.16 - 3 rd : 4.13 - 4 th : 7.00 1 st Rev: 1.86 - 2 nd Rev: 3.13
Lift/dump	manual	manual
Minimum turning radius	700 mm	700 mm
Dump angle	50°	50°
Loading deck/Payload	telescoping/450 kg	telescoping/550 kg
Body length	93 - 106 cm	100 - 118 cm
Body width	56 - 94 cm	65 - 110 cm
Overall dimensions	167x65x102 cm	175x73x102 cm
Weight	180 kg	200 kg

Power generators, always ready for any eventuality.

Technology and comfort

Power generators consist of an internal combustion engine combined with an electric generator and produce AC or DC power independently. They can be used in the event of mains grid outages, disruptions or blackouts, and are useful for providing power where none is available. They are handy devices for outdoor leisure activities, for those who work in the commercial sector (i.e. stand construction and events) or for users who need to power electrical appliances such as high-pressure washers, electric saws or trimmers in isolated environments far from mains outlets. Choose between open set generators, available with power ratings up to 6 kW, or silent inverter generators, i.e. with an enclosed and soundproofed engine, which are particularly suitable for public places, outdoor activities near to people or for use with boats, motorhomes or on campsites.



AVR (Automatic Voltage Regulator) device supplied as standard, which maintains a constant voltage level to the connected equipment, thereby preventing damage from power surges.



Muffler sound insulation to reduce noise, waterproof design and robust, robotically welded frame ensure high performance.



Emak OHV engines offer reduced fuel consumption, for long running times between fuel refills.



Engine with electric starter, available for the **PGE 65E DCS**, **PGE 48i S** and **PGE 80E-3 DCS** models, which ensures effortless starting.



The fuel level gauge is located in a prominent position, for quick reading of the petrol level in the tank.



Handles and wheels, supplied as standard on the **PGE 65 DCS**, **PGE 65E DCS**, **PGE 80E-3 DCS** and **PGE 48i S** models, make it easy to transport.



Power generators

Guide to selection

			HOME	COUNTRYSIDE	WOODLAND	URBAN
GENERATE POWER FOR HOUSEHOLD TOOLS AND LEISURE EQUIPMENT	Power generators	Up to 3 kW	PGE 25 DCS PGE 35 DCS			
		Up to 6 kW			PGE 65 DCS PGE 65E DCS PGE 80E-3 DCS	
		Inverter			PGE 23i S PGE 48i S	

Power generators up to 3 kW

The **PGE 25 DCS** and **PGE 35 DCS** generators ensure independence from the mains grid in all sorts of situations, such as emergencies, blackouts, working out in the open in natural areas, or holidaying in isolated locations. They can handle loads up to 2.8 kW and are therefore the ideal tool if you want to become independent from stationary power sources: ideal for work equipment or leisure pursuits, they have a large fuel tank that ensures a running time of up to 15 hours.



Equipped with a double AC 220V AC outlet and one DC 12V outlet.



The fuel level gauge is located in a prominent position, for quick reading of the petrol level in the tank.



Sturdy steel frame to ensure maximum strength and protection when on the move.



Engine positioned on rubber anti-vibration mounts to minimise vibrations during operation.



Only available
in certain markets

PGE 25 DCS

PGE 35 DCS

Effective/maximum power	2.0 kW/2.2 kW	2.8 kW/3.1 kW
Engine model	K 825 HG OHV	K 850 HG OHV
Engine displacement	196 cm ³	212 cm ³
Fuel tank capacity	15 L	15 L
Oil reservoir capacity	0.6 L	0.6 L
Runtime (50% power)	15 hours	15 hours
Frequency	50 Hz	50 Hz
Voltage	230 V	230 V
AC power quality (THD)	G1	G1
Power factor	1	1
DC voltage	12 V	12 V
DC current	8.3 A	8.3 A
Starting	manual	manual
Noise emissions	< 72 db(A)	< 74 db(A)
Weight	42 kg	47 kg
Dimensions (LxWxH)	605x490x495 mm	605x490x495 mm

Power generators up to 6 kW

These models are designed for more intensive use, where the power drawn by connected loads exceeds 5 kW. Models **PGE 65 DCE** and **PGE 65E DCS** are equipped with three 220V AC (alternating current) sockets and one 12V DC (direct current) socket. They have 25 L fuel tanks to cope with continuous use over a period of up to 8 hours. Model **PGE 80-E DCS** can also supply three-phase current at 400V, making it suitable for industrial or craft business applications that require high power, such as powering machine tools, logsplitters or welding machines.



Emak OHV engines offer reduced fuel consumption, for long running times between fuel refills.



The fuel level gauge is located in a prominent position, for quick reading of the petrol level in the tank.



Carry handles and sturdy wheels make it easy to transport.



Only available
in certain markets

PGE 65 DCS

PGE 65E DCS

PGE 80E-3 DCS

Effective/maximum power	5.0 kW/5.5 kW	5.0 kW/5.5 kW	6.0 kW/6.5 kW
Engine model	K 1200 HG OHV	K 1200 HG OHV	K 1250 HG OHV
Engine displacement	389 cm ³	389 cm ³	420 cm ³
Fuel tank capacity	25 L	25 L	25 L
Oil reservoir capacity	1.1 L	1.1 L	1,1 L
Runtime (50% power)	9 hours	9 hours	8 hours
Frequency	50 Hz	50 Hz	50 Hz
Voltage	230 V	230 V	230 V (single phase) 400 V (three-phase)
AC power quality (THD)	G1	G1	G1
Power factor	1	1	1/0.8
DC voltage	12 V	12 V	12 V
DC current	8.3 A	8.3 A	8.3 A
Starting	manuale	manual/electric	manual/electric
Noise emissions	< 76 db(A)	< 76 db(A)	< 78 db(A)
Weight	80.5 kg	82.5 kg	85 kg
Dimensions (LxWxH)	790x560x585 mm	790x560x585 mm	790x560x585 mm

Inverter power generators

Inverter technology makes these models particularly suitable for use with delicate electronic equipment containing microprocessors, such as computers, televisions, digital devices, and devices that require a stable, high-quality power supply. The soundproofed structure considerably reduces noise emissions, making them ideal for use on campsites and in open areas near to people.



Output with USB socket for charging electronic devices.



Low-consumption OHV engines with an insulated muffler that considerably reduces perceived noise.



Model **PGE48i S** equipped with 2 large 140 mm wheels and foldable handle, which make it easy to transport.



Possibility of connecting a second generator to double the maximum output power (cable supplied as standard).



Only available in certain markets

PGE 23i S

PGE 48i S

Effective/maximum power	1.8 kW/2.3 kW	3.5 kW/4.8 kW
Engine model	K 300 HG OHV	K 875 HG OHV
Engine displacement	79 cm ³	224 cm ³
Fuel tank capacity	3.7 L	9.5 L
Oil reservoir capacity	0.4 L	0.6 L
Runtime (50% power)	6.3 hours	6.5 hours
Frequency	50/60 Hz	50/60 Hz
Voltage	220/230/240 V	220/230/240 V
AC power quality (THD)	< 1.5%	< 1.5%
Power factor	1	1
DC voltage	12 V	12 V
DC current	8.3 A	8.3 A
Starting	manual	manual/electric
Noise emissions	< 60 db(A)	< 57 db(A)
Weight	17 kg	38 kg
Dimensions (LxWxH)	430x285x455 mm	520x380x510 mm



Working calmly and efficiently:
the peace of mind that comes from safety.

Size guide

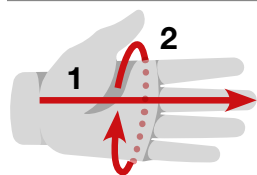
Clothing sizes conversion table

INTERNATIONAL	XS		S		M		L		XL		XXL		3XL	
ITALY	38	40	42	44	46	48	50	52	54	56	58	60	62	64
FRANCE	34	36	38	40	42	44	46	48	50	52	54	56	58	60
GERMANY	42	44	46	48	50	52	54	56	58	60	62	64	66	68
SPAIN	34	36	38	40	42	44	46	48	50	52	54	56	58	60
U.K.	24	26	28	30	32	34	36	38	40	42	44	46	48	50
U.S.A.	24	26	28	30	32	34	36	38	40	42	44	46	48	50

Lengths in centimetres for each size (chain-resistant jackets and trousers)

INTERNATIONAL	XS	S	M	L	XL	XXL	3XL						
1	84-88	95-96	100-104	108-112	116-120	124-128	132-136						
4	152-168	156-174	164-182	174-190	180-196	184-200	188-204						
2	68-72	76-80	84-88	92-96	100-104	108-112	116-120						
3	78	80	82	84	86	86	86						
4	152/168	156/172	160/174	164/178	170/182	174/186	178/190	180/192	182/196	184/198	186/200	188/200	190/204

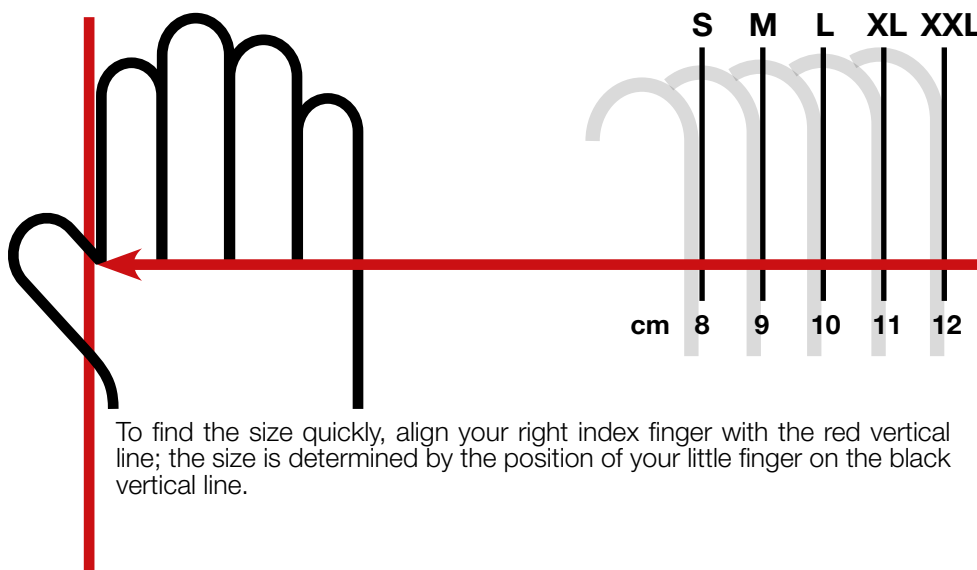
Glove sizes table



SIZE	1	2
XS	17 cm	17.5-19 cm
S	18 cm	18.5-20 cm
M	19 cm	19.5-21 cm
L	20 cm	20.5-22 cm
XL	21 cm	21-22.5 cm
XXL	22 cm	22-23.5 cm

Use a tape measure to measure the length of the red line and the circumference around the knuckles then find the corresponding glove size in the table.

Easily find your size



To find the size quickly, align your right index finger with the red vertical line; the size is determined by the position of your little finger on the black vertical line.

Boots size table

	Forms	40	41	42	43	44	45	46	47
1	Length cm	26.8	27.5	28.2	28.9	29.6	30.3	31	31.7
2	Width cm	9.6	9.8	10	10.2	10.4	10.6	10.8	11

Protective Clothing



Protective Clothing

Description	Ultra-strong fabric	Standard anti-cut protection	Ultralight anti-cut protection	Performance fabric	Water-repellent	Breathable	Bi-stretch fabric	Multi-stretch fabric	Ventilation zips	Type approval	Cut-resistance class	Anti-cut protective zone
 Professional jacket with anti-cut protection	-	-	●	-	●	●	-	-	●	CE	1	
 Professional Tree Climbing trousers	-	-	●	●	●	●	●	●	-	CE	1	
 Professional chain-resistant gloves	●	●	-	-	●	●	●	-	-	CE	1	
 Air-light 3 professional chain-resistant trousers	-	-	●	-	●	●	●	-	●	CE	3	
 Air-light professional chain-resistant trousers	-	-	●	-	●	●	●	-	●	CE	1	
 Oversleeves with anti-cut protection	-	●	-	-	●	●	-	-	-	CE	1	
 Energy dungarees with anti-cut protection	-	●	-	-	●	●	-	-	-	CE 	1	
 Energy chain-resistant trousers	-	●	-	-	●	●	-	-	-	CE 	1	
 Energy leggings with anti-cut protection	-	●	-	-	●	●	-	-	-	CE 	1	
 Universal light jacket	-	-	-	-	●	●	●	-	-	CE	-	
 Professional high-visibility trousers for brushcutter operators	●	-	-	-	●	●	-	-	-	CE	-	
 Belt	-	-	-	-	-	-	-	-	-	CE	-	
 Shoulder Straps	-	-	-	-	-	-	●	-	-	CE	-	

Protective Clothing

Description	Ultra-strong fabric	Standard anti-cut protection	Ultralight anti-cut protection	Performance fabric	Water-repellent	Breathable	Bi-stretch fabric	Multi-stretch fabric	Ventilation zips	Type approval	Cut-resistance class	Anti-cut protective zone
Chain resistant forestry boots	●	●	-	-	●	●	-	-	-	CE	2	Sharp pro
H ₂ OUT chain resistant forestry boots with impermeable membrane	●	●	-	-	Impermeable H ₂ O	-	-	-	-	CE	2	Sharp pro
Chain resistant forestry boots	-	●	-	-	●	-	-	-	-	CE KWF	3	Sharp pro
Universal utility gloves	●	-	-	-	●	●	-	-	-	CE	-	Tough Tech



Description	Material Shell structure	Face shield material	Noise protection	Frame material	Lenses	Type approval
Professional protective helmet	ABS	Nylon mesh	26 dB	-	-	CE Sharp pro
Protective helmet	ABS	Metal mesh	23 dB	-	-	CE Tough Tech
Professional protective and noise-filtering ear defenders	Plastic	-	33 dB	-	-	CE Sharp pro
Noise filtering ear defenders	Plastic	-	30 dB	-	-	CE Tough Tech
Noise filtering ear defenders	Plastic	-	27 dB	-	-	CE Tough Tech
Dark protective spectacles	-	-	-	Rigid plastic	Dark wrap-around, anti-scratch and anti-glare in sunlight	CE Tough Tech
Clear protective spectacles	-	-	-	Polycarbonate	Wrap-around, anti-scratch, clear	CE Tough Tech
Super-professional mesh face shield	Plastic	Metal mesh	-	-	-	CE Sharp pro
Super-professional polycarbonate face shield	Plastic	Polycarbonate	-	-	-	CE Sharp pro
"Plus" mesh face shield	Plastic	Metal mesh	-	-	-	CE Tough Tech
"Plus" polycarbonate face shield	Plastic	Polycarbonate	-	-	-	CE Tough Tech

Protective Clothing



Professional jacket with anti-cut protection

Extremely lightweight and breathable comfort model professional anti-cut safety jacket, reinforced with waterproof fabric with abrasion resistance in the areas most subject to wear. The jacket assures a comfortable fit and freedom of movement for safe use of all chainsaws with cutting speeds of up to **20 m/s**. Anti-cut protection with “Sofly” technology: 5 layers of high-strength anti-cut fabric, extremely light, flexible and breathable. Antibacterial treatment and fast drying performance help to banish odours while enhancing the sensation of freshness and comfort for the wearer. Slim fit.



Safety	<ul style="list-style-type: none"> • Approved to EN ISO 11393-2. • Category 3 PPE. • Class 1. 			
Visibility	<ul style="list-style-type: none"> • Large orange coloured trim for the maximum daytime and night-time visibility. 			
Fit	<ul style="list-style-type: none"> • Special 8-layer anti-cut protection (sofly). 			
Sizes	S	3255011A	XL	3255003A
	M	3255001A	XXL	3255004A
	L	3255002A	XXXL	3255054



Professional Tree Climbing trousers

Professional chain-resistant trousers specifically designed and made for tree climbing. Extremely lightweight with breathable fabric, these trousers assure a comfortable fit and freedom of movement for safe use of all chainsaws with cutting speeds of up to **20 m/s**. Anti-cut protection for the legs (180° front, 5 cm right inside leg, 5 cm left inside leg), with “Sofly” technology: 5 layers of high-strength anti-cut fabric, extremely light, flexible and breathable. Antibacterial treatment and fast drying performance help to banish odours while enhancing the sensation of freshness and comfort for the wearer. Slim fit.



Safety	<ul style="list-style-type: none"> • Approved to EN ISO 13688+A1. • Approved to EN ISO 11393-2. • Type A. • Category 3 PPE. • Class 1. 			
Fit	<ul style="list-style-type: none"> • Special 5-layer anti-cut protection (sofly). • Anti-rip protection - RIPSTOP. 			
Materials	<ul style="list-style-type: none"> • Water repellent with SOFIGUARD treatment. • 94% polyamide, 6% elastham (CORDURA - RIPSTOP). • Black reinforcement: 50% polyamide, 45% polyester, 5% elastham. 			
Sizes	42	3255041	50	3255045
	44	3255042	52	3255046
	46	3255043	54	3255047
	48	3255044	56	3255048



Chain-resistant gloves

Designed to protect the most exposed parts of the body from the risk of cuts when using a chainsaw, approved class 1 (**20 m/s**). Optimum fit around the fingers to facilitate control and movement. Suitable for use with other power tools (hedgetrimmers, pruners, pruning saws), thanks to thickness and materials that prevent the penetration of thorns, chips and oil.



Safety	<ul style="list-style-type: none"> • CE approved to EN 388:2016, EN 381-7/99. • Category 3 PPE. • Class 1 (20 m/sec.). 			
Materials	<ul style="list-style-type: none"> • Stretch polyester on the back and Duratexture on the palm. • Fingers with comfort stitching and stretch fabric. • Palm with antivibration insert. • Elasticized cuff with Velcro fastener. • Reinforcement on back for enhanced wear resistance. • High-strength fabric chain protection. 			
Sizes	S-8	3255056	XL-11	3255059
	M-9	3255057	XXL-12	3255060
	L-10	3255058		



Protective Clothing

Air-light 3 professional chain-resistant trousers

Professional chain-resistant trousers, guaranteeing the maximum level of protection, a comfortable fit and freedom of movement for safe use of all chainsaws with cutting speeds of up to **28 m/s**. Anti-cut protection with “Sofly” technology: 8 layers of high-strength anti-cut fabric, extremely light, flexible and breathable. Antibacterial treatment and fast drying performance help to banish odours while enhancing the sensation of freshness and comfort for the wearer. 2 ventilation zips at the rear. Leg protection (180° front, 5 cm right inside leg, 5 cm left inside leg). Slim fit.



Safety	<ul style="list-style-type: none"> • Approved to EN ISO 13688+A1. • Approved to EN ISO 11393-2. • Type A. • Category 3 PPE. • Class 3. 			
Fit	<ul style="list-style-type: none"> • Excellent fit thanks to the use of bi-stretch fabric. • Special 8-layer anti-cut protection (sofly). 			
Materials	<ul style="list-style-type: none"> • Water repellent with SOFIGUARD treatment. • 94% polyamide, 6% elastham. 			
Sizes	S	3255090	XL	3255093
	M	3255091	XXL	3255094
	L	3255092		



Air-light professional chain-resistant trousers

Professional model protective chain-resistant trousers, exceptionally light and breathable, guaranteeing a comfortable fit and freedom of movement for safe use of all chainsaws with cutting speeds of up to **20 m/s**. Anti-cut protection with “Sofly” technology: 5 layers of high-strength anti-cut fabric, extremely light, flexible and breathable. Antibacterial treatment and fast drying performance help to banish odours while enhancing the sensation of freshness and comfort for the wearer. 2 ventilation zips at the rear. Leg protection (180° front, 5 cm right inside leg, 5 cm left inside leg). Slim fit.



Safety	<ul style="list-style-type: none"> • Approved to EN ISO 13688+A1. • Approved to EN ISO 11393-2. • Type A. • Category 3 PPE. • Class 1. 			
Fit	<ul style="list-style-type: none"> • Excellent fit thanks to the use of bi-stretch fabric. • Special 5-layer anti-cut protection (sofly). 			
Materials	<ul style="list-style-type: none"> • Water repellent with SOFIGUARD treatment. • 94% polyamide, 6% elastham. 			
Sizes	S	3255082	XL	3255085
	M	3255083	XXL	3255086
	L	3255084		



Oversleeves with anti-cut protection

Chain-resistant oversleeves designed for amateur users and for occasional chainsaw duties. The oversleeves can be donned with ease and they are adjusted by means of ties. Designed to withstand chain speeds of **20 m/s**, orange colour for high visibility and featuring anti-intrusion cuffs.



Safety	<ul style="list-style-type: none"> • CE approved to EN ISO 11393-6. • Category 3 PPE. • Class 1. 			
Visibility	<ul style="list-style-type: none"> • Orange coloured fabric. 			
Materials	<ul style="list-style-type: none"> • Breathable. • 33% cotton, 67% polyester. • 245 g/m². 			
Sizes	Universal	3255081		



Protective Clothing

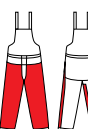


Energy dungarees with anti-cut protection

Dungarees with anti-cut protection, with classic workwear style and shape and 8-layer anti-cut protection for safe use of all chainsaws with cutting speeds of up to **20 m/s**. The practical bib incorporates a pocket to carry small objects and tools. Adjustable shoulder straps and side pockets.



Safety	<ul style="list-style-type: none"> • Approved to EN ISO 13688. • Approved to EN ISO 11393-2. • Type A. • Category 3 PPE. • Class 1. 			
Visibility	<ul style="list-style-type: none"> • Orange coloured bib. • Detail of pockets. • Special 8-layer anti-cut protection. 			
Materials	<ul style="list-style-type: none"> • Breathable, water repellent. • 30% cotton, 70% polyester. 			
Sizes	S	3255070	XL	3255073
	M	3255071	XXL	3255074
	L	3255072	XXXL	3255075



Energy chain-resistant trousers

Chain-resistant trousers with 8-layer anti-cut protection for safe use of all chainsaws with cutting speeds of up to **20 m/s**. Comfortable fit. Leg protection (180° front, 5 cm right inside leg, 5 cm left inside leg). Side pockets, ruler pocket and spark plug wrench pocket.



Safety	<ul style="list-style-type: none"> • Approved to EN ISO 13688. • Approved to EN ISO 11393-2. • Type A. • Category 3 PPE. • Class 1. 			
Visibility	<ul style="list-style-type: none"> • Orange abdominal part. • Side pockets, ruler pocket and spark plug wrench pocket, lumbar support. • Special 8-layer anti-cut protection. 			
Materials	<ul style="list-style-type: none"> • Breathable and water repellent. • 30% cotton, 70% polyester. • Certificate KWF STANDARD. 			
Sizes	S	3255062		
	M	3255063		
	L	3255064		
	XL	3255065		
	XXL	3255066		



Energy leggings with anti-cut protection

Anti-cut protective leggings designed for amateur users and for occasional chainsaw duties. Easy-fit, the waistband is adjusted by means of an elasticated strip and the legs are fastened with zips at the rear. 8-layer anti-cut protection for the legs for safe use of all chainsaws with cutting speeds of up to **20 m/s**. (180° front, 5 cm right inside leg, 5 cm left inside leg).



Safety	<ul style="list-style-type: none"> • Approved to EN ISO 13688. • Approved to EN ISO 11393-2. • Type A. • Category 3 PPE. • Class 1. 			
Visibility	<ul style="list-style-type: none"> • Orange abdominal part. • Detail of pocket. • Special 8-layer anti-cut protection. 			
Materials	<ul style="list-style-type: none"> • Breathable. • 33% cotton, 67% polyester. • 245 g/m². 			
Sizes	Universal	001001360B		



Protective Clothing

Universal light jacket

Extremely lightweight, breathable universal light jacket with large orange-coloured panels for optimal visibility. Excellent fit thanks to the use of bi-stretch fabric. Comfortable fit. Removable sleeves.



Safety	• Category 1 PPE.			
Visibility	• Large front and rear orange coloured trim for the maximum daytime and night-time visibility.			
Materials	<ul style="list-style-type: none"> • Water-repellent, wind-proof, breathable. • 46% polyester, 37% polyamide, 15% polyurethane, 2% elastham. • 2D fabric, removable sleeves, 2 pockets. 			
Sizes	S	3255028A	XL	3255031A
	M	3255029A	XXL	3255032A
	L	3255030A		



Professional high-visibility trousers for brushcutter operators

Protective trousers for brushcutter operators, with reflective inserts, high-strength waterproof outer fabric and frontal protection against accidental impact. Comfortable for prolonged use thanks to the two rear ventilation zips and practical storage pocket on the side for keeping valuables safe.



Safety	<ul style="list-style-type: none"> • Approved to EN ISO 13688. • Approved to EN ISO 20471+A1. • Category 1 PPE. 			
Visibility	<ul style="list-style-type: none"> • Reflective inserts • Orange coloured trims • Rear ventilation zips • Closed pocket for valuables 			
Materials	<ul style="list-style-type: none"> • Waterproofed fabric 240 gr/m². • High strength protection at the front of the leg. • Leg protection 30% cotton, 70% polyester. 			
Sizes	S	3255012A	XL	3255015A
	M	3255013A	XXL	3255016A
	L	3255014A	XXXL	3255061A



Belt and Shoulder Straps

Belt in woven cotton fabric, of variable length. A very useful accessory when used in combination with work trousers. The metal buckle with quick release and fastening offers extreme usability in a compact design.

Elastic shoulder straps with wide band, adjustable in length and specifically for clothing with buttons, in fluorescent orange colour for greater visibility. Excellent fit and comfort due to the Y-shape design.



Characteristics	<ul style="list-style-type: none"> • Metal buckle with quick release/fastening. • Width 30 mm. • Length 120 mm. • Black colour. 		
Size	One size	3255095R	



Characteristics	<ul style="list-style-type: none"> • 35 mm wide elastic band in fluorescent orange. • Sliding adjustment system. • 6 connection loops. • Braided straps for attaching to buttons. 		
Size	One size	3655016	



Protective Clothing

Chain resistant forestry boots

Combining the characteristics of trekking boots with the safety features required by specific PPE regulations. Chain resistant certified to EN ISO 17249 Class 2 (Category 3 PPE, able to resist chain speeds of up to **24 m/s**). Flexible and comfortable, these boots assure a high level of comfort during work activities, maximising control and mobility. The boots offer excellent grip thanks to the deep channel tread pattern of the sole in anti-oil, antistatic, non-slip nitrile rubber with heat resistance up to 300°C.



Safety	<ul style="list-style-type: none"> CE approval, standards EN ISO 17249:2013, EN ISO 20345:2011, CL2 S3-CI-HI-HRO-SRC, Class 2. Category 3 PPE. Certified to EU 2016/425. 			
Materials	<ul style="list-style-type: none"> Water-repellent leather upper. Breathable nonwoven fabric lining. High-strength fabric anti-piercing sole plate. 8-layer chain protection from top of foot up to the shin and on the sides. 			
Sizes	35 3655011	39 3655015	43 001000977C	47 001001421A
	36 3655012	40 001001419A	44 001000978C	
	37 3655013	41 001000975C	45 001000979C	
	38 3655014	42 001000976C	46 001001420A	



H₂OUT chain resistant forestry boots

Combining the characteristics of trekking boots with the safety features required by specific PPE regulations. Chain resistant certified to EN ISO 17249 Class 2 (Category 3 PPE, able to resist chain speeds of up to **24 m/s**). Flexible and comfortable, these boots assure a high level of comfort during work activities, maximising control and mobility. The boots offer excellent grip thanks to the deep channel tread pattern of the sole in anti-oil, antistatic, non-slip nitrile rubber with heat resistance up to 300°C. The boots provide the maximum impermeability thanks to the “Tepor” membrane interposed between the upper and the lining.



Safety	<ul style="list-style-type: none"> CE approval, standards EN ISO 17249:2013, EN ISO 20345:2011, CL2 S3-CI-HI-HRO-SRC, Class 2. Category 3 PPE. Certified to EU 2016/425. 			
Materials	<ul style="list-style-type: none"> Water-repellent leather upper. Breathable nonwoven fabric lining. High-strength fabric anti-piercing sole plate. 8-layer chain protection from top of foot up to the shin and on the sides. 			
Sizes	40 3655001	42 3655003	44 3655005	46 3655007
	41 3655002	43 3655004	45 3655006	47 3655008



Chain resistant forestry boots

Rugged high boots in rubber for safe use of chainsaws. Protection from cutting, crushing and piercing thanks to the steel toe cap, chain guard protection covering the entire upper and anti-piercing sole plate made of high strength fabric. The boots offer excellent grip thanks to the deep channel tread pattern of the sole in anti-oil, antistatic, non-slip nitrile rubber with heat resistance up to 300°C.



Safety	<ul style="list-style-type: none"> CE approval standards EN 345-1 1997, EN 345-2 1996 SB - E, Class 3. Category 3 PPE. Certified to EU 2016/425. KWF PROF certification. 			
Materials	<ul style="list-style-type: none"> Outer in rubber with non-slip rubber sole with deep cleated tread. Breathable fabric lining and absorbent felt footbed. Protective steel toecap, anti-piercing sole plate and ankle guard. Chain protection on top of foot and on shin. 			
Sizes	41	001001079A	44	001001082A
	42	001001080A	45	001001083A
	43	001001081A		



Protective Clothing

Universal utility gloves

Comfortable, made with chamois leather palm and comfort padding, back in stretch polyester. Knitted cuff and Velcro fastener for easy on/off, maximum comfort also when worn for long periods. No cut protection is provided, so these gloves are suitable for use exclusively with tools that do not call for specific anti-cutting properties (blowers, brushcutters, rotary tillers, etc.). CE approved, mechanical properties to EN 388: abrasion resistance 3, cut resistance 1, tear resistance 2, piercing resistance 2.



Safety	<ul style="list-style-type: none"> • CE marking, compliant with EN 420 2003 - AM1: 2009 EN 388: 2003 / 3122 and directive 89/686/EEC. • Category 1 PPE. 			
	<ul style="list-style-type: none"> • Back in elasticized polyester and natural leather. • Comfort padding on palm. • Elasticated cuffs. • Wrist strap with Velcro. • High strength seams stitched with cotton faced nylon thread. 			
Sizes	S-8	3255018	XL-11	3255021
	M-9	3255019	XXL-12	3255022
	L-10	3255020		



Professional protective helmet

For the maximum protection of the head and face, ideal for jobs carried out at ground level. Lightweight, comfortable and ventilated. Adjustable face shield, side ventilation openings, integral rain channel and large-size pre-moulded nylon shield. Individually adjustable removable ear protectors.



Safety	<ul style="list-style-type: none"> • Category 3 PPE. Certified to EU 2016/425 approved to EN 397:2012+A1:2012. • Approved ear defenders to EN 352-3. • Approved face shield to EN 1731/S, EN 166. 		
	<ul style="list-style-type: none"> • Shell made of flexible, UV-resistant ABS (shock absorbent). • Fabric harness with double 4-point suspension (patented shock absorption system). • Sweatband and ratchet adjustment system. • SNR 26 dB adjustable ear defenders. • Face shield holder. • Mesh face shield. 		
Sizes	Universal	001001284BR	



Visor support (replacement)
3655010R



Chinstrap (accessory)
3655009



Mesh face shield (replacement)
3155018R



Ear defender kit for helmet (replacement)
3155011R

Protective helmet

Helmet with mesh face shield and ear defenders.



Safety	<ul style="list-style-type: none"> • Helmet certified to EU 2016/425 approved to EN 397:2012+A1:2012. • Approved ear defenders to EN 352-3: 1997. • Approved face shield to EN 1731/S, EN 166. 		
	<ul style="list-style-type: none"> • Shell in UV-resistant polyethylene. • Plastic harness with 4-point suspension. • Sweatband and manual adjustment system. • SNR 23 dB adjustable ear defenders. • Face shield holder. • Metal mesh face shield. 		
Sizes	Universal	3255010AR	



Protective Clothing



Professional protective and noise-filtering ear defenders

Professional ear defenders for maximum hearing protection, 33 dB attenuation.



Safety	<ul style="list-style-type: none"> • EN 352-1 approved ear defenders. • Category 2 PPE.
Materials	<ul style="list-style-type: none"> • Shell made of UV-resistant ABS (shock absorbent). • Stainless steel headband. • Adjustable. • Attenuation (SNR): 33 dB. • PVC + foam sound insulation.
Sizes	Universal 3155118R



Noise filtering ear defenders

Ear defenders for excellent hearing protection, 30 dB attenuation.



Safety	<ul style="list-style-type: none"> • EN 352-1 approved ear defenders. • Category 2 PPE.
Materials	<ul style="list-style-type: none"> • Shell in ABS. • Plastic + stainless steel headband. • Adjustable. • Attenuation (SNR) 30 dB. • PVC + foam sound insulation.
Sizes	Universal 001000835



Noise filtering ear defenders

Ear defenders for excellent hearing protection, 27 dB attenuation.



Safety	<ul style="list-style-type: none"> • EN 352-1 approved ear defenders. • Category 2 PPE.
Materials	<ul style="list-style-type: none"> • Shell in PVC. • Plastic headband. • Adjustable. • Attenuation (SNR): 27 dB. • PVC + foam sound insulation.
Sizes	Universal 4175114



Protective Clothing

Dark protective spectacles

Versatile, lightweight and ergonomic protective spectacles, dark lens.



Safety	<ul style="list-style-type: none"> • EN 166 approved protective spectacles. • Optical class 1.
Materials	<ul style="list-style-type: none"> • Wrap-around clear anti-scratch lens, anti-glare in sunlight, resistant to fogging. • Brow-pad, temples and nose bridge in soft anti-slip thermoplastic, for greater comfort and greater protection against dust and droplets. The wraparound lens offers a wide field of vision, while the adjustable temple and lens inclination allows for a customised fit. • Mechanical strength: Lens FT - Frame FT.
Sizes	Universal 3155026BR



Clear protective spectacles

Adjustable, lightweight and ergonomic protective spectacles, clear lens.



Safety	<ul style="list-style-type: none"> • Protective spectacles approved to EN 166 (2C-1.2 1FTKN / Z87+U6). • Optical class 1.
Materials	<ul style="list-style-type: none"> • Wrap-around clear anti-scratch lens, anti-glare in sunlight, resistant to fogging. • Brow-pad, temples and nose bridge in soft anti-slip thermoplastic, for greater comfort and greater protection against dust and droplets. The wraparound lens offers a wide field of vision, while the adjustable temple and lens inclination allows for a customised fit. • Mechanical strength: Lens FT - Frame FT.
Sizes	Universal 3155027AR



Super-professional face shield

Professional lightweight ergonomic face shield for the maximum safety, mesh and polycarbonate protection.



Safety	<ul style="list-style-type: none"> • EN 1731-S approved.
Materials	<ul style="list-style-type: none"> • PVC structure, replaceable and adjustable metal mesh face shield. • Foam brow band.
Sizes	Universal 001000939A



Safety	<ul style="list-style-type: none"> • EN 166 approved. • Optical class 1, mechanical strength B.
Materials	<ul style="list-style-type: none"> • PVC structure, polycarbonate face shield, antifogging, adjustable, replaceable. • Foam brow band.
Sizes	Universal 001000940A



Plus face shield

Lightweight ergonomic face shield for the maximum safety, mesh and polycarbonate protection.



Safety	<ul style="list-style-type: none"> • EN 1731-F approved. • Optical class 1, mechanical strength B.
Materials	<ul style="list-style-type: none"> • PVC structure, metal mesh face shield, adjustable, replaceable. • Foam brow band.
Sizes	Universal 001000941A



Safety	<ul style="list-style-type: none"> • EN 166 approved. • Optical class 1, mechanical strength B.
Materials	<ul style="list-style-type: none"> • PVC structure, polycarbonate face shield, antifogging, adjustable, replaceable. • Foam brow band.
Sizes	Universal 001000942A



Nothing but the best consumables to keep your machines running smoothly.



Lubricants and sundry Accessories



Lubricants

Alkylate petrol for 4-stroke engines and Special mixture for 2-stroke engines

EFCO-Alkylate is a highly refined petrol specifically formulated for 4-stroke engines. **EFCO-Mix Alkylate** is a mixture for 2-stroke engines made from alkylate petrol and biodegradable* synthetic oil compliant with API TC, JASO FC and ISO L-EGD standards. This fuel is premixed and hence ready for use.

* Tested to CEC-L-33-A-93 (80% in 21 days) and OECD 301E (64%).

These fuels contain 10 times less harmful substances than traditional petrol and less than 0.1% benzene and other harmful aromatic hydrocarbons and are therefore less hazardous for health and for the environment. The fuels guarantee: high performance and longer engine life. Extremely pure and stable, the fuels have a long shelf life (up to 4 years in sealed containers with no loss of performance).

Not available for export



EFCO-Mix Alkylate – 5 l container	3455004A
EFCO-Mix Alkylate – 5 l metal can	3455016A
EMAK-Mix Alkylate – 18 l metal drum	3355007
EFCO-Alkylate – 5 l container	3455012A
EFCO-Alkylate – 5 l container	3455027

PROSINT 2 EVO special oil for 2-stroke engines

Special synthetic ester-based lubricant, expressly formulated for high-performance 2-stroke engines. Special oil for use at 2% (50:1). Effective lubrication at high temperatures. Low emissions, reduced wear and clean engine. Exceeds API TC, JASO FC and ISO-L-EGD specifications. Its pre-fluidified composition makes preparing the mixture easy. Colour: dark red. Pack: carton 20 pcs x 100 ml or 12 pcs x 1 l or 4 pcs x 5 l.



100 ml bottle	001001363A
1 l container	001001364B
1 l container with dispenser	001001406A
5 l container	001001404B
200 l drum	3555016A

EUROSINT 2 EVO special oil for 2-stroke engines

Special oil with 100% synthetic esters. Used at 2% (50:1), this oil is ideal for the lubrication of competition or high performance two-stroke motors. High-resistance lubricating film at high temperatures and excellent anti-wear characteristics. Particularly indicated for exhaust catalysts by virtue of its low smokiness and ash content. Exceeds API TC, JASO FC/FD and ISO-L-EGD specifications. Colour: dark blue. Pack: box 20 + 20 pcs x 100 ml or 12 pcs x 1 l or 4 pcs x 5 l.



100 ml bottle	3455024A
1 l container	3455025A
1 l container with dispenser	3455026A
5 l container	3455015A

Special oil for 4-stroke engines - SAE 10 W - 30

Highly refined SAE 10 W - 30 grade mineral oil, specifically formulated and developed for 4-stroke air- and water-cooled engines designed for gardening sector applications. Mineral type engine oil containing a special combination of additives that give excellent detergent/dispersant, antioxidant, anticorrosive, and anti-wear properties. Exceeds API SG/CE, MIL - L - 2104 D, MIL - L - 46152 C specifications. Pack: carton 16 pcs x 600 ml. Minimum order: 1 carton.



600 ml container	001001554A
200 l drum	3555024

Lubricants

CHAIN LUBE guide bar and chain protector

A compound formulated expressly for the protection of guide bars and chains, based on a balanced blend of oils which are specially resistant to low temperatures. Easily biodegradable. Special additives guarantee appreciable protection against wear and seizure. Good viscosity and pour point. Pack: carton of 12 pcs x 1 l or 4 pieces x 5 l. Minimum order: 1 carton.



1 l can	3455007A
5 l can	3455006A
20 l drum	3455014
200 l drum	3455013

Special grease

Special high quality lithium grease with molybdenum bisulphide for bevel gear pairs, elastic couplings, hedgetrimmer transmissions, earth auger gear reducers. Recommended for use with all mechanical parts subject to high loads. Exceeds ISO 6743-9; DIN 51825 KPF 2K - 30 specifications. Special grease/125 g tube. Pack: carton. Quantity per carton: 24. Minimum order: 2 cartons.

Each equipped with dispenser nozzle and slot for display fixture.



125 g tube	4174238B
------------	----------

ADDITIX 2000 EVO special additive for petrol fuels

Special additive ideal for conditioning two-stroke mixture and leaded or unleaded petrol. Prevents deterioration of fuel for at least 12 months and protects against oxidation. Facilitates starting, keeps fuel system clean (up to the intake valves in the case of 4-stroke engines), and protects against rust and corrosion. It also increases the octane rating. The dispersing-detergent agents in the product disperse any traces of water in the fuel. Pack of 24 x 125 ml bottles. Two full doser caps are sufficient for 5 l of petrol.

Not available for export



125 ml bottle	001000972A
---------------	------------

PRO CLEAN multipurpose concentrated degreasing detergent

Thanks to its active ingredient, a small amount of this product is sufficient to obtain excellent results on the most stubborn dirt. It can be used on various surfaces, such as engines, tools for gardening, agriculture and forestry, and motorcycles. The 1-litre bottle is equipped with a spray head. A 5-litre container is also available, which is the optimal solution for refilling the spray bottles. 1-litre size: pack consists of 6 spray bottles. 5-litre size: pack consists of 4 containers. Minimum order: 1 pack.



1 l bottle	3355006
5 l can	001101222

Sundry Accessories



2-stroke mixture/oil hose

Resistant to UV radiation and deterioration caused by petrol. Pack: loose.



ø 3.2 x 6.4 mm - length 1 m	3502061R
ø 3 x 5 mm - length 1 m	005101079AR

Starting rope spools

High-strength diamond braided nylon rope for maximum resistance to strain and fraying. Pack: loose.



ø 2.5 mm - 100 m	3503121
ø 3.0 mm - 100 m	3503015
ø 3.5 mm - 100 m	005101050
ø 4.0 mm - 100 m	006101034

Fuel/oil can

Fuel/oil can, BAM approved, for transporting in the car; red plastic dual purpose can: 6 l petrol + 3 l oil - professional type with graduated scale. Pack: loose.



Fuel/oil can	3355004A
--------------	-----------------

Fuel can

Fuel can, approved for transporting fuel on the road by the SNCH accreditation agency in compliance with the applicable United Nations standard. Equipped with a flexible extension spout for optimal refueling in all conditions and a "level band" for rapid identification of the remaining fuel level; max capacity 5L. Top quality fuel can, suitable for professional and private use. Pack: carton.



5 l fuel can	4175169A
--------------	-----------------

Extension cords to CE - VDE - IMQ standards

Available in various different versions to work easily in the proximity of the home using electric power tools. 250 V/10 A cable 25 m - 3 x 1 mm². Pack: bag.



With Italian plug and Schuko receptacle	001000865
Schuko receptacle	3044102

Funnel

Plastic funnel complete with filter mesh; protects the engine from impurities in the oil. Pack: bag.



Funnel	003401054R
--------	-------------------

Combination wrenches

To remove spark plugs. Also features screwdriver tip for chainsaw chain tensioning. Pack: loose.



19 mm with bar	301000129
17 x 19 mm	2304009R
14 x 21 mm	2304022
10 x 19 mm	2304029
13 x 16 mm	2304017
13 x 19 mm	2304073
19 x 21 mm	66060414

Sundry Accessories

Spark plugs

A comprehensive range of spark plugs, expertly developed for the full range of high performance 2 and 4 stroke engines. A combination of innovative materials and special manufacturing methods will guarantee optimum starting, efficient combustion and lower fuel consumption, prolonging the life of the engine and other moving parts. In addition, the use of high quality oils like **PROSINT 2 EVO** and **EUROSINT 2 EVO** ensures that there are fewer unburned residues from combustion, signifying improved performance and less maintenance.



Family	Model	1	2	3	TORCH		NGK		CHAMPION		ENKER		Quantity
		mm	pitch	mm	Code	Model	Code	Model	Code	Model	Code	Model	
Chainsaws	MT 3710 - MT 4110 - MT 4510	19	M14 x 1.25mm	9.5			3055114R	BPMR6A	3055101R	RCJ-7Y			4
	MTTH 2400 - MTH 400 - MTH 4000 - MTH 510 MTH 5100 - MTH 560 - MTH 5600	19	M14 x 1.25mm	9.5		L8RTF			3055104R	RCJ-6Y			10
	MT 5200	19	M14 x 1.25mm	9.5			3055115R	BPMR7A	3055104R	RCJ-6Y			10
	MTT 2500 - MTT 3600	16	M10 x 1mm	9.5			3055120R	CMR7A					10
	MT 6300 - MT 6500 - MT 6510	19	M14 x 1.25mm	9.5			3055118R	BPMR8Y		RCJ-4			10
Pruners	PTH 2500	19	M14 x 1.25mm	9.5		L8RTF			3055104R	RCJ-6Y			10
	PTX 2710 - PTX 2750	16	M10 x 1mm	9.5			3055120R	CMR7A					10
Hedgetrimmers	DS 2410 H - DS 2410 HL TG 2460 P - TG 2470 P - TGS 2470 P	16	M10 x 1mm	12.7*			3055112R	CMR7H					10
Blowers	SA 2500	16	M10 x 1mm	9.5			3055120R	CMR7A					10
	SA 2063	19	M14 x 1.25mm	9.5			3055118R	BPMR8Y					10
	SA 9010	19	M14 x 1.25mm	9.5			3055115R	BPMR7A	3055104R	RCJ-6Y			10
Brushcutters	DS 4000 - DS 5300 - DS 5300 BOSS DSF 5300 - DSF 5500 - DS 5400 - DSF 5400	19	M14 x 1.25mm	9.5			3055118R	BPMR8Y					10
	DSH 250 - DSH 2500 - DSH 400 DSH 4000 - DSH 500 - DSH 5000	19	M14 x 1.25mm	9.5		L8RTF			3055104R	RCJ-6Y			10
	STARK 25	19	M14 x 1.25mm	9.5			3055114R	BPMR6A	3055101R	RCJ-7Y	3055109R	FSC75PR	4
	STARK 2500	19	M14 x 1.25mm	9.5			3055118R	BPMR8Y		RCJ-4			10
	DS 2700 - DS 3000	16	M10 x 1mm	9.5			3055120R	CMR7A					10
	DS 2410 - DSH 3100	16	M10 x 1mm	12.7*			3055112R	CMR7H					10
	8410 - 8460 - 8530 - 8550 BOSS DS 3500 - 8535 ERGO STARK 3810 - STARK 4410	19	M14 x 1.25mm	19				3055115R	BPMR7A	3055104R	RCJ-6Y		
Engines EMAK	K 450 - K 605 - K 655 K 805 - K 800	21	M14 x 1.25mm	19					3055123R	RN9YC			10
	K 300 H	21	M14 x 1.25mm	12.7	3055007R	E6RTC							10
	K 1250 AVD - K 1450 AVD K 1600 AVD - K 2400 AVD	16	M14 x 1.25mm	19					3055122R	RC12YC			10
	MP 3000	19	M14 x 1.25mm	9.5			3055118R	BPMR8Y		RCJ-4			10
Water Pumps	PA 1050 - PC 1050	19	M14 x 1.25mm	9.5			3055114R	BPMR6A	3055101R	RCJ-7Y			4
	AT 2063	19	M14 x 1.25mm	9.5			3055118R	BPMR8Y					10
Backpack Mistblowers	AT 800 - AT 8000	19	M14 x 1.25mm	9.5			3055115R	BPMR7A	3055104R	RCJ-6Y			10
	MZ 2055 RKS - MZ 2075 RKS MZ 2098 RKS	21	M14 x 1.25mm	19					3055123R	RN9YC			10
Rotary Tillers													
Earth Augers	TR 1551	19	M14 x 1.25mm	9.5			3055114R	BPMR6A	3055101R	RCJ-7Y			4
Power generators	PGE 25 DCS - PGE 35 DCS PGE 65 DCS - PGE 65E DCS PGE 80E-3 DCS - PGE 48i S	21	M14 x 1.25mm	19					3055123R	RN9YC			10
	PGE 23i S	16	M10 x 1mm	12.7	L66152480	A5RTC							10

* Long thread

■ Standard

■ Compatible

Performance, power and reliability.



Emak Engines



Easy to start, reliable and available in different configurations.

These vertical shaft engines are supplied in different displacements to satisfy every need. All models are high-powered, easy to start and simple to operate, as well as complying with mandatory environmental standards (Stage 5).

- **Easy starting:** with the Auto-Choke system, starting is easy and instantaneous, whatever the temperature.
- **Paper filter:** easy to clean and with a large filtering surface, it protects and extends the life of the engine.
- **Ergonomic design:** compact engine, with soft and tapered lines, limits interference under hedges and in the external environment.
- **Total compatibility:** these compact, lightweight engines are available in various displacements, suitable for different decks.
- **Easy maintenance:** cleaning the various components (air filter, spark plug, starter casing, etc.) and changing the engine oil are facilitated by the structural layout.



Stage 5
Low environmental impact engine certified to current European standards (STAGE 5).



OHV technology
Overhead valve engine layout, optimal combustion and consistent performance during heavy-duty use.



Auto Choke
System for opening and closing the throttle to regulate the flow of air into the carburettor.



iK-GO
Emak engine with electric starter powered by a rechargeable battery.



Gasoline
Petrol-powered engine.



Electric starter
Engine with electric starter device.



Emak Engines Gardening Line

The range



K 450



K 605



K 655
K 655 HF



K 655 i



K 805



K 1250



K 1450



K 1600

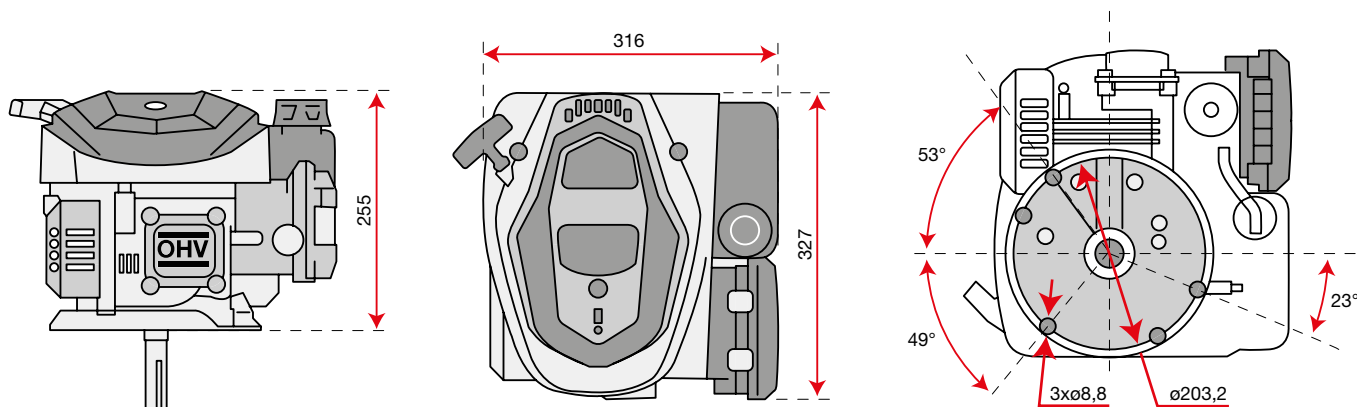


K 2400

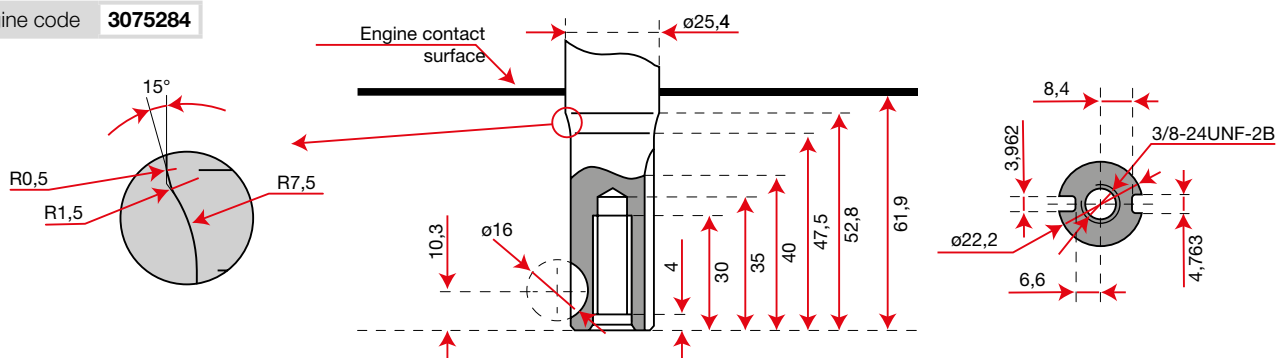
Emak Engines Gardening Line



Dimensions

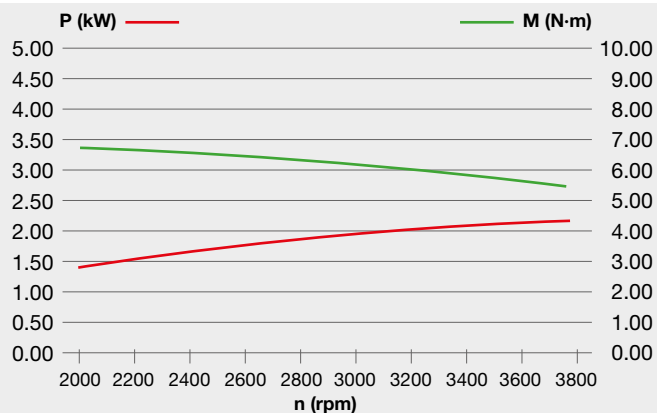


Engine code **3075284**



K 450

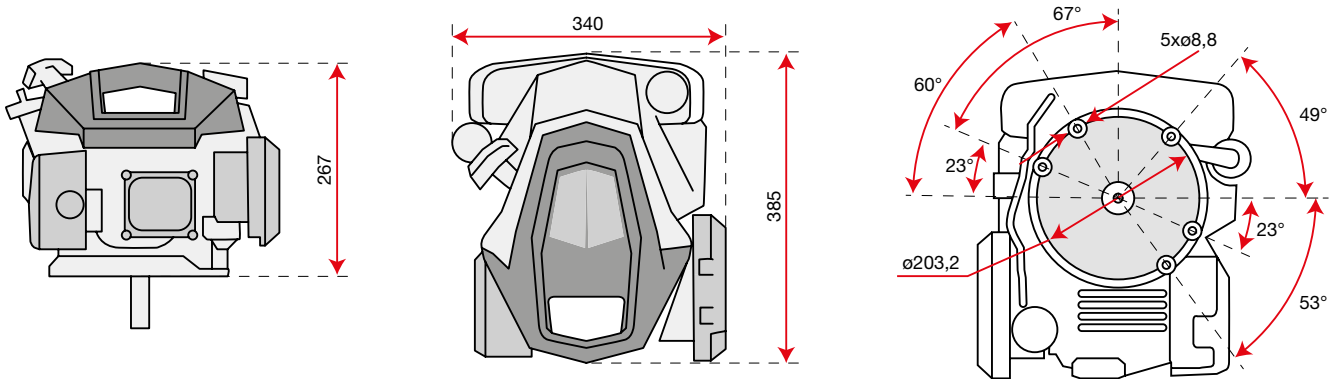
Net power	2.8 HP - 2.1 kW / 3600 rpm
Net torque	6.5 N.m / 2500 rpm
Bore x Stroke	65 mm x 37 mm
Displacement	123 cc
Starting	recoil start
Fuel capacity	0.9 L
Engine oil capacity	0.5 L
Dimension	385 x 340 x 267 mm
Net weight	8.5 kg



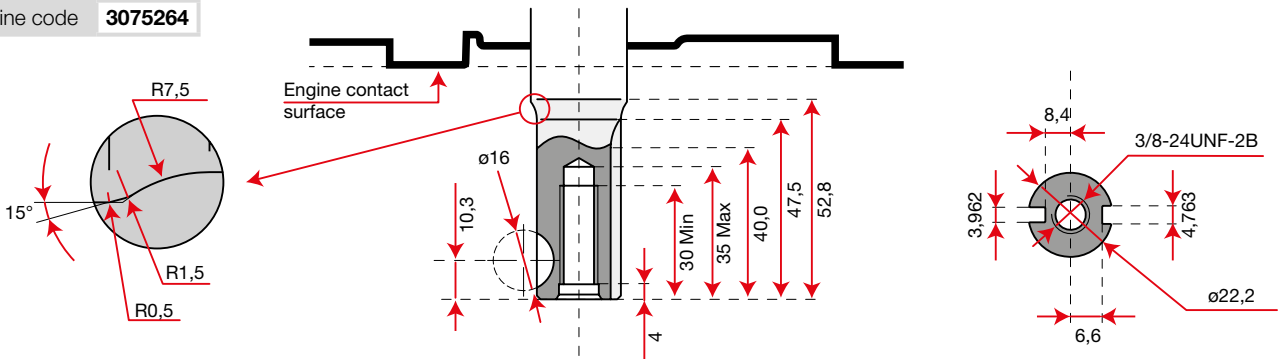
Emak Engines Gardening Line



Dimensions

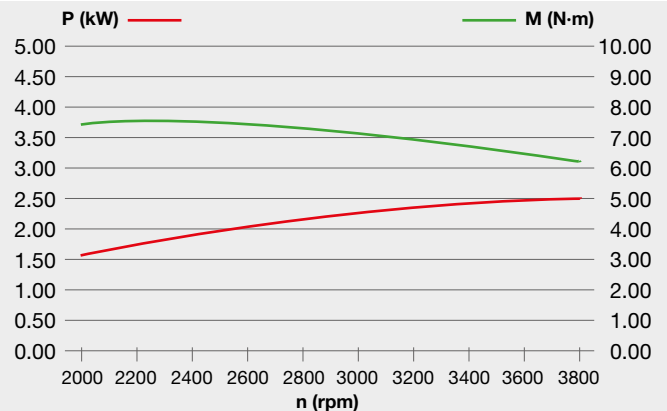


Engine code **3075264**



K 605

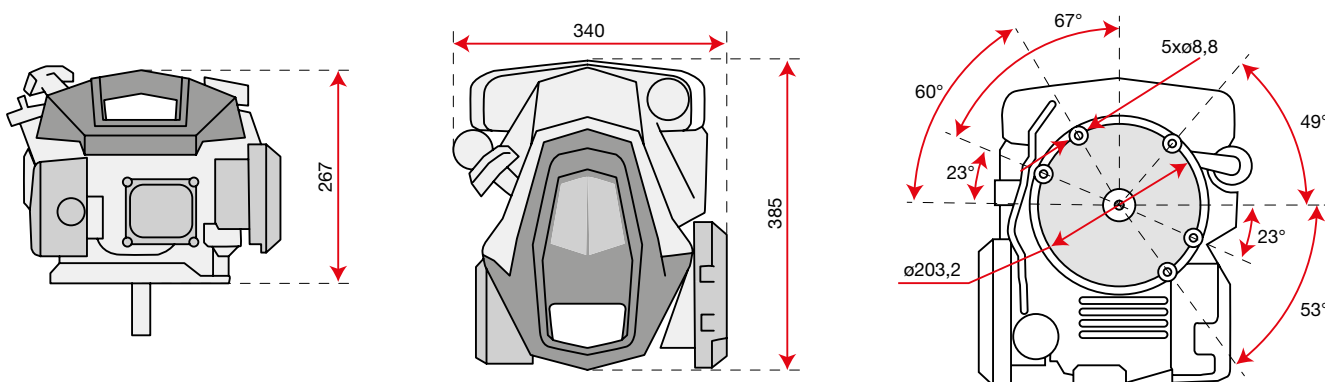
Net power	3.3 HP - 2.4 kW / 3600 rpm
Net torque	7.5 N.m / 2500 rpm
Bore x Stroke	65 mm x 42 mm
Displacement	139 cc
Starting	recoil start
Fuel capacity	1.4 L
Engine oil capacity	0.5 L
Dimension	385 x 340 x 267 mm
Net weight	9.2 kg



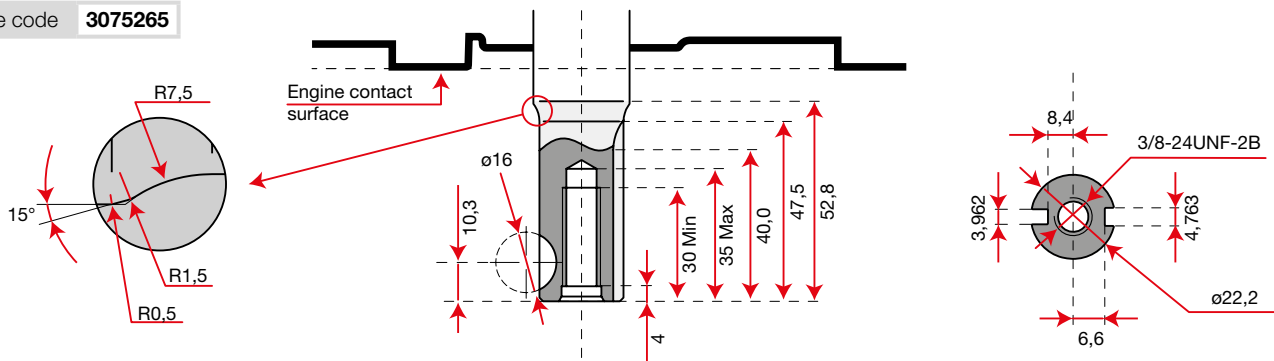
Emak Engines Gardening Line



Dimensions

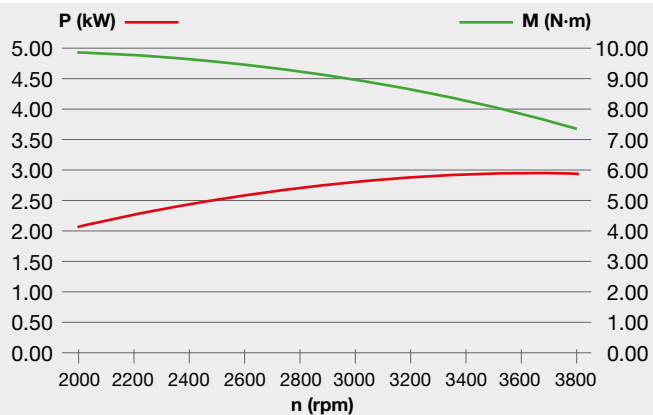


Engine code **3075265**



K 655

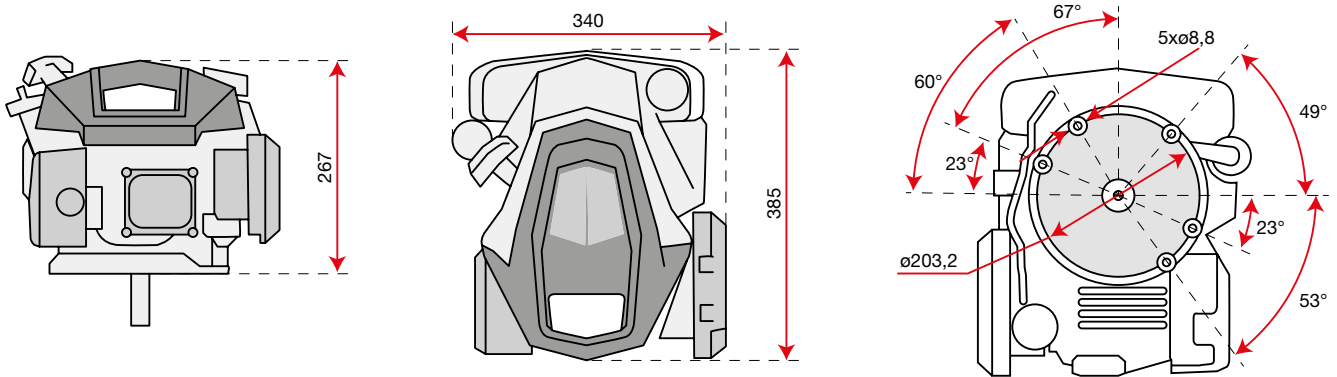
Net power	3.9 HP - 2.9 kW / 3600 rpm
Net torque	9.5 N.m / 2500 rpm
Bore x Stroke	65 mm x 50 mm
Displacement	166 cc
Starting	recoil start
Fuel capacity	1.4 L
Engine oil capacity	0.5 L
Dimension	385 x 340 x 267 mm
Net weight	9.2 kg



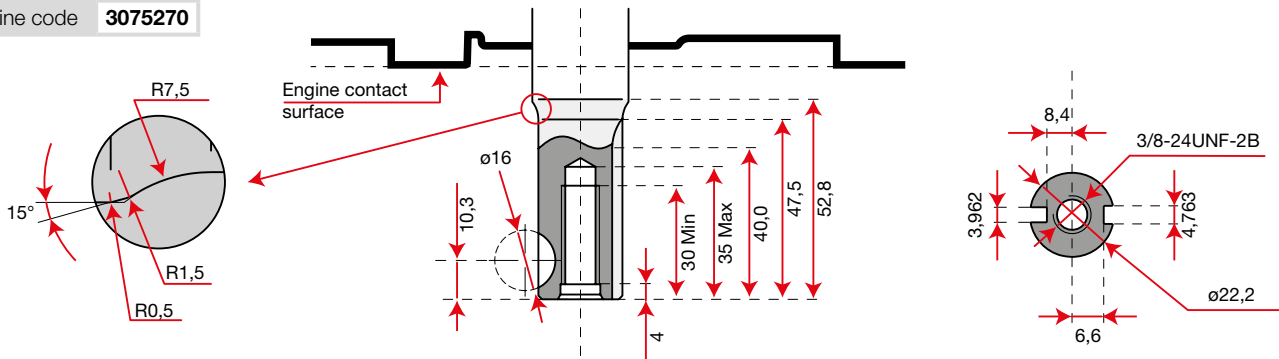
Emak Engines Gardening Line



Dimensions

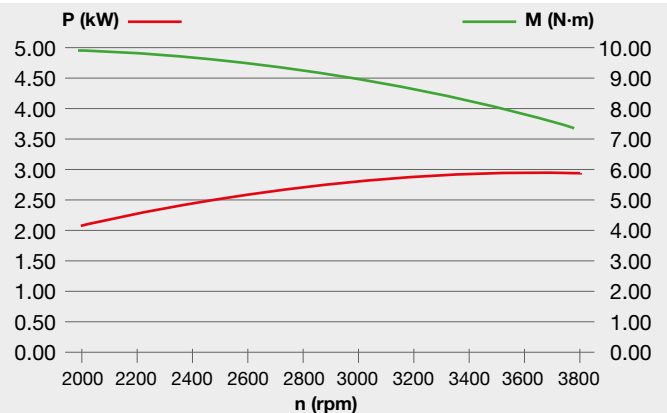


Engine code **3075270**



K 655 HF

Net power	3.9 HP - 2.9 kW / 3600 rpm
Net torque	9.5 N.m / 2500 rpm
Bore x Stroke	65 mm x 50 mm
Displacement	166 cc
Starting	recoil start
Fuel capacity	1.4 L
Engine oil capacity	0.5 L
Dimension	385 x 340 x 267 mm
Net weight	10.5 kg

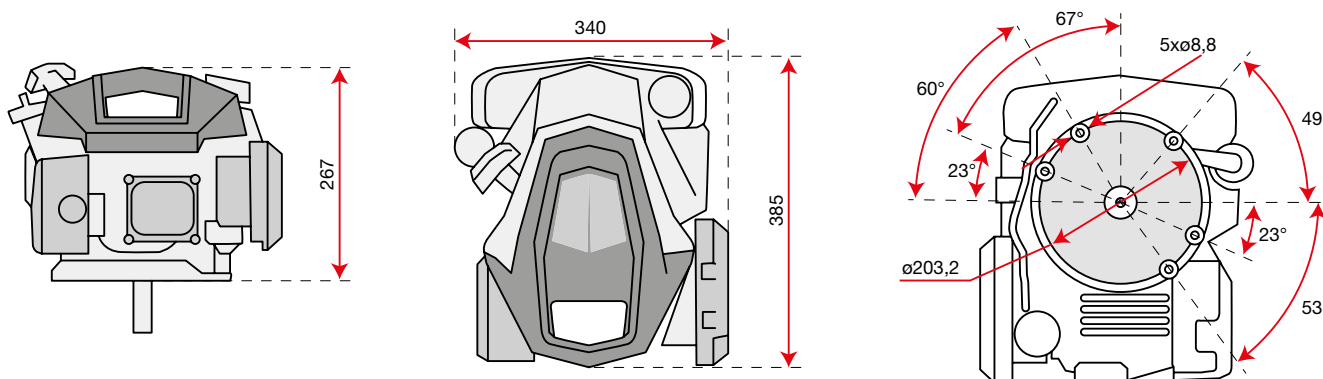


Notes: engine with heavy flywheel, suitable for applications where a higher moment of inertia is required.

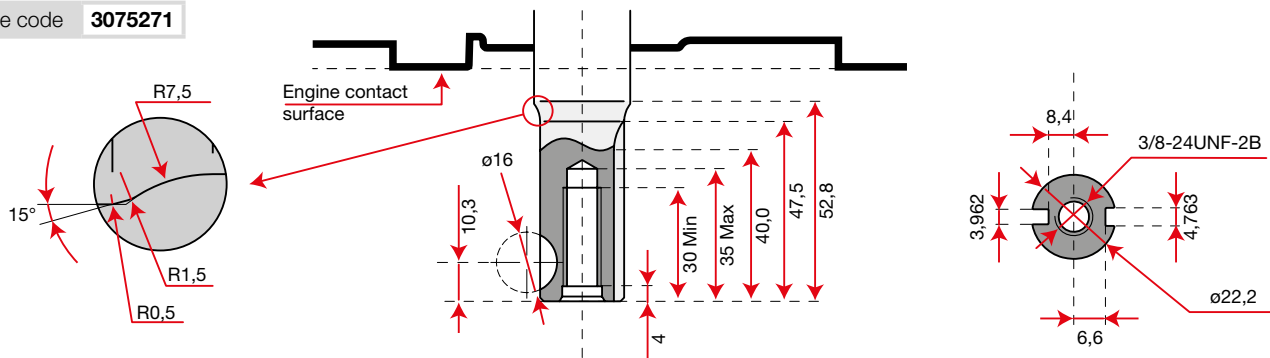
Emak Engines Gardening Line



Dimensions

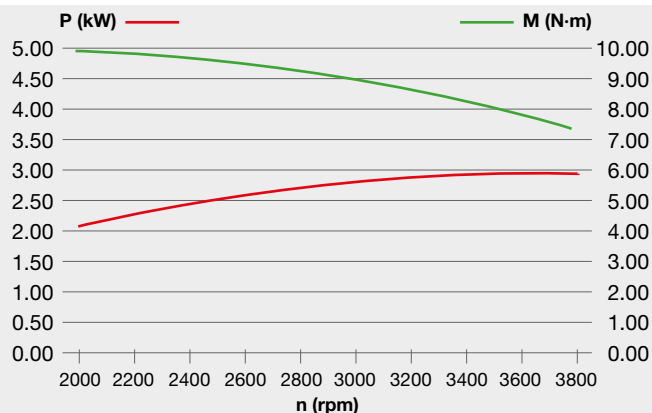


Engine code **3075271**



K 655 i

Net power	3.9 HP - 2.9 kW / 3600 rpm
Net torque	9.5 N.m / 2500 rpm
Bore x Stroke	65 mm x 50 mm
Displacement	166 cc
Starting	recoil start/electric
Fuel capacity	1.4 L
Engine oil capacity	0.5 L
Dimension	385 x 340 x 267 mm
Net weight	10.7 kg

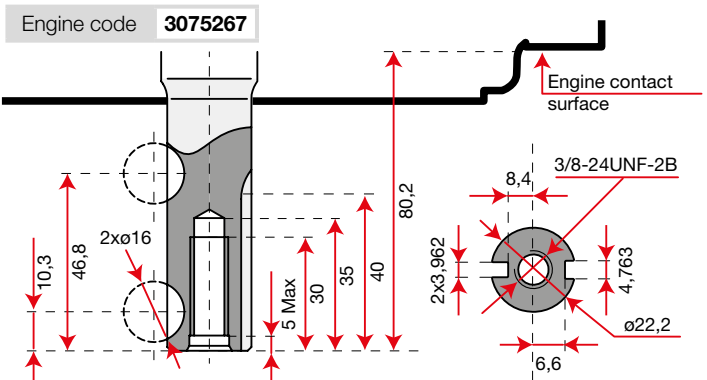
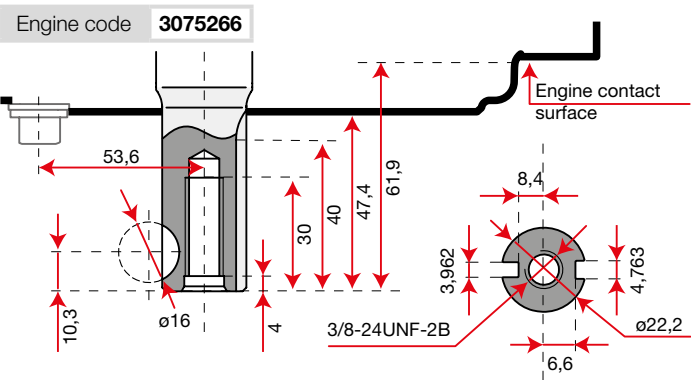
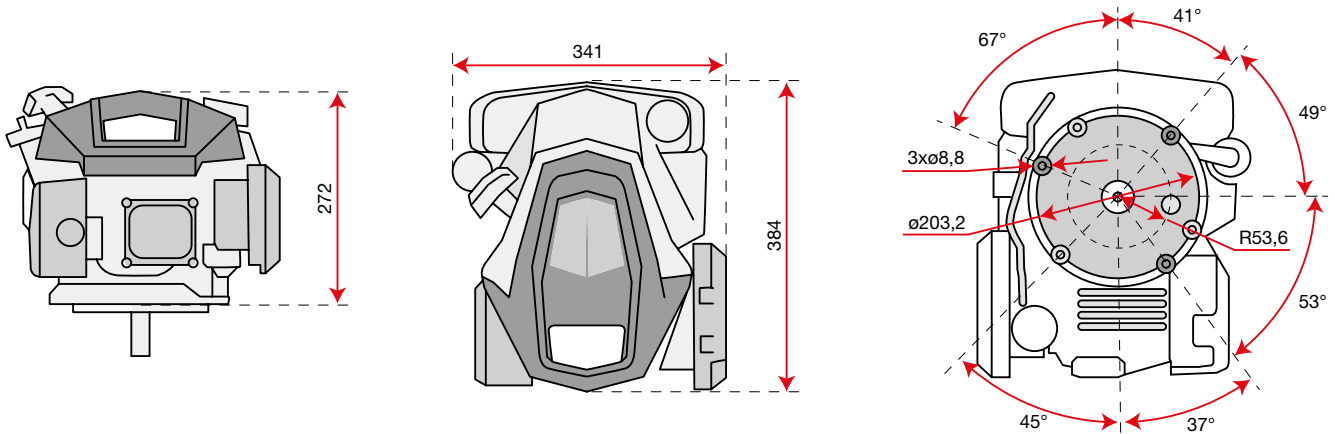


Optional: battery (code **3075272R**) and battery charger (code **3075273R**)

Emak Engines Gardening Line

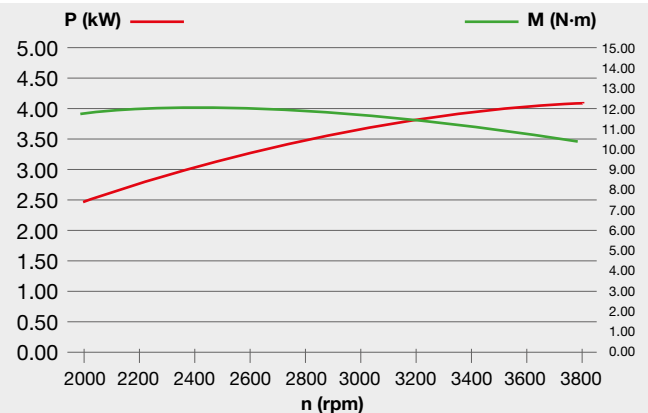


Dimensions



K 805

Net power	5.4 HP - 4.0 kW / 3600 rpm
Net torque	12 N.m / 2500 rpm
Bore x Stroke	70 mm x 50.84 mm
Displacement	196 cc
Starting	recoil start
Fuel capacity	1.4 L
Engine oil capacity	0.5 L
Dimension	384 x 341 x 272 mm
Net weight	12.8 kg



Emak Engines Gardening Line



5
STAGE
Emission compliant
EU regulation

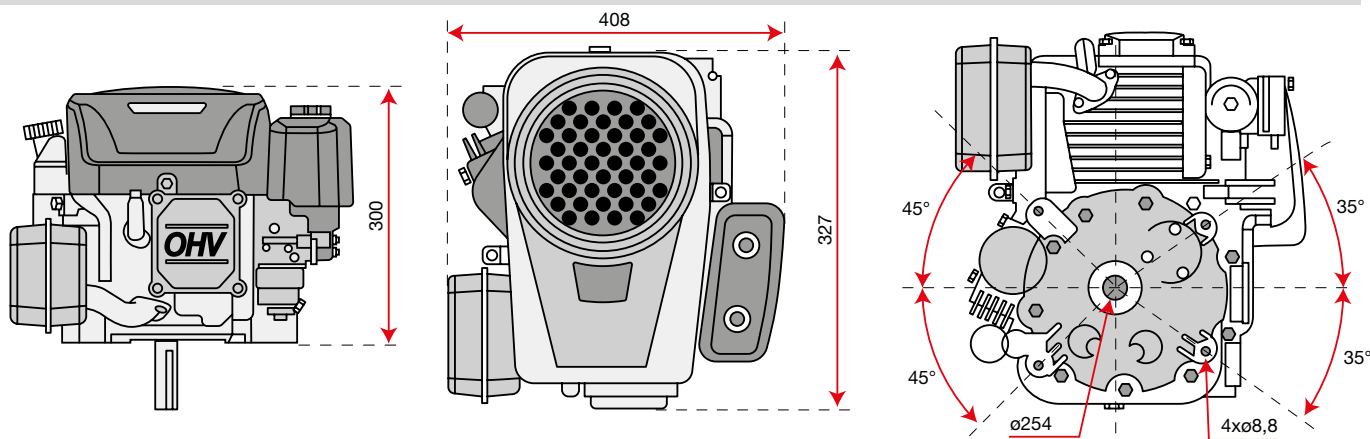
OHV
technology

gasoline

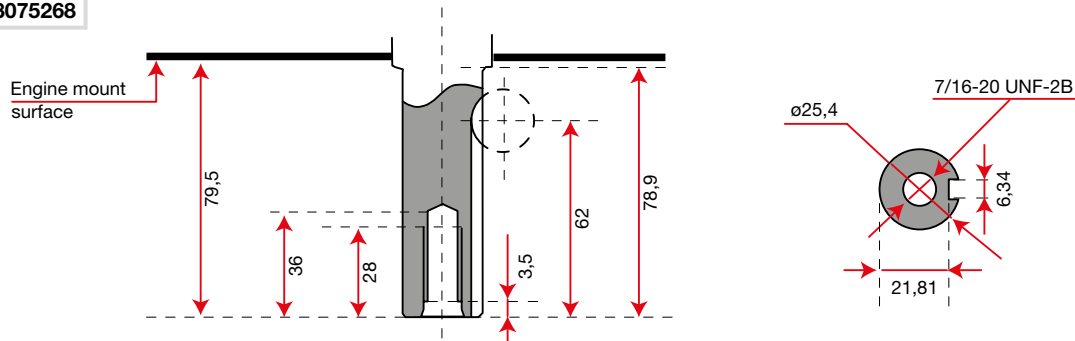
ELECTRIC
STARTER



Dimensions

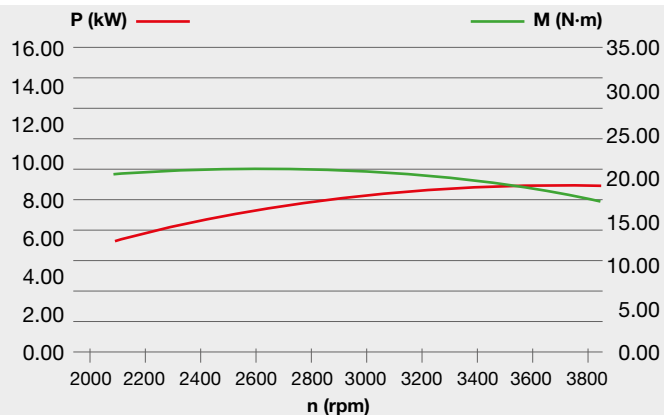


Engine code **3075268**



K 1250

Net power	11.7 HP - 8.6 kW / 3600 rpm
Net torque	22 N.m / 2600 rpm
Bore x Stroke	88 mm x 68 mm
Displacement	413 cc
Starting	electric
Fuel capacity	not available
Engine oil capacity	1.2 L
Dimension	432 x 408 x 300 mm
Net weight	31 kg



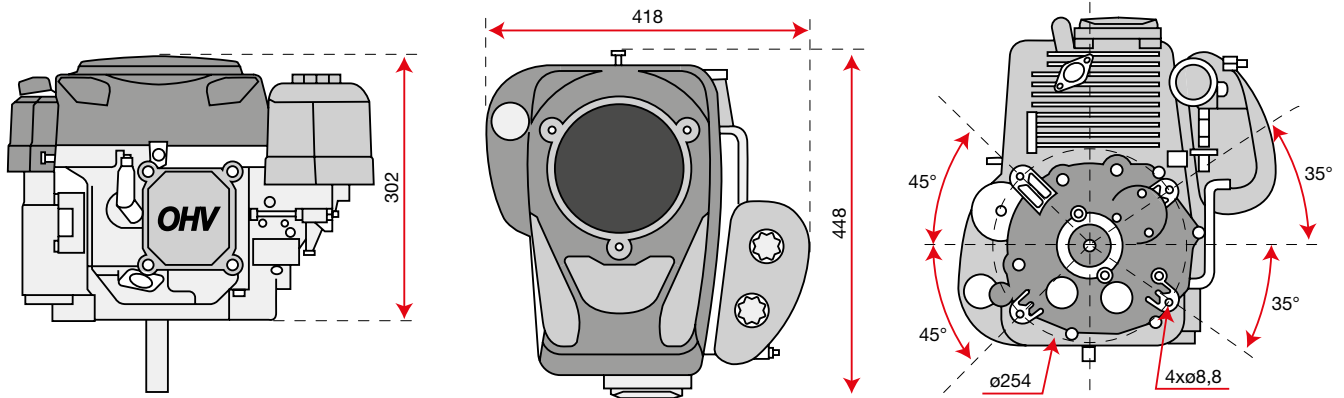
Emak Engines Gardening Line



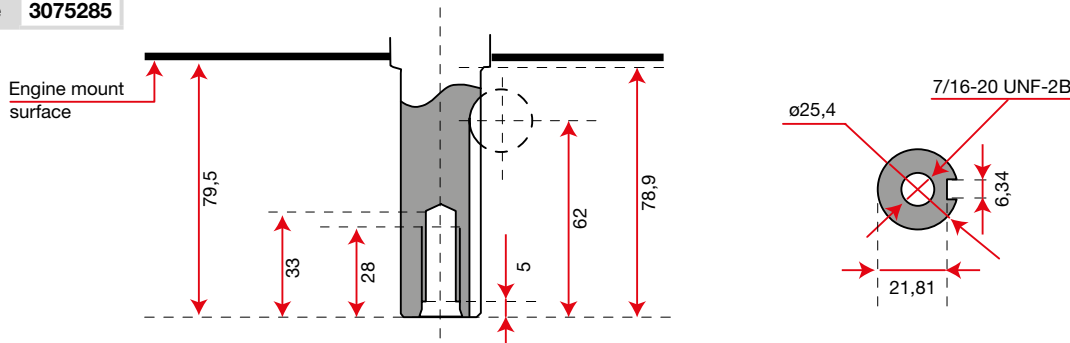
- Emissions compliant EU regulation STAGE 5
- OHV Overhead Valve technology
- gasoline
- ELECTRIC STARTER



Dimensions

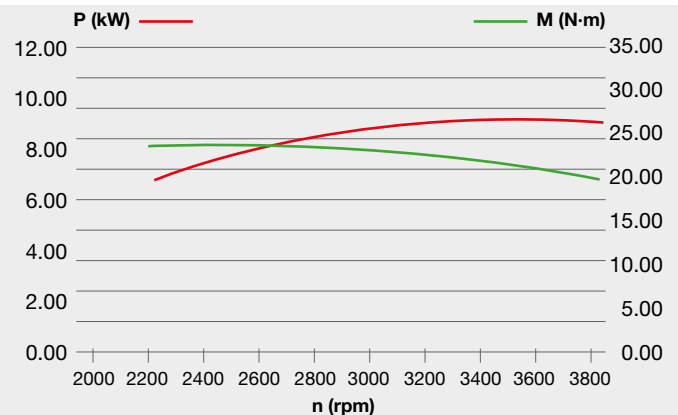


Engine code **3075285**



K 1450

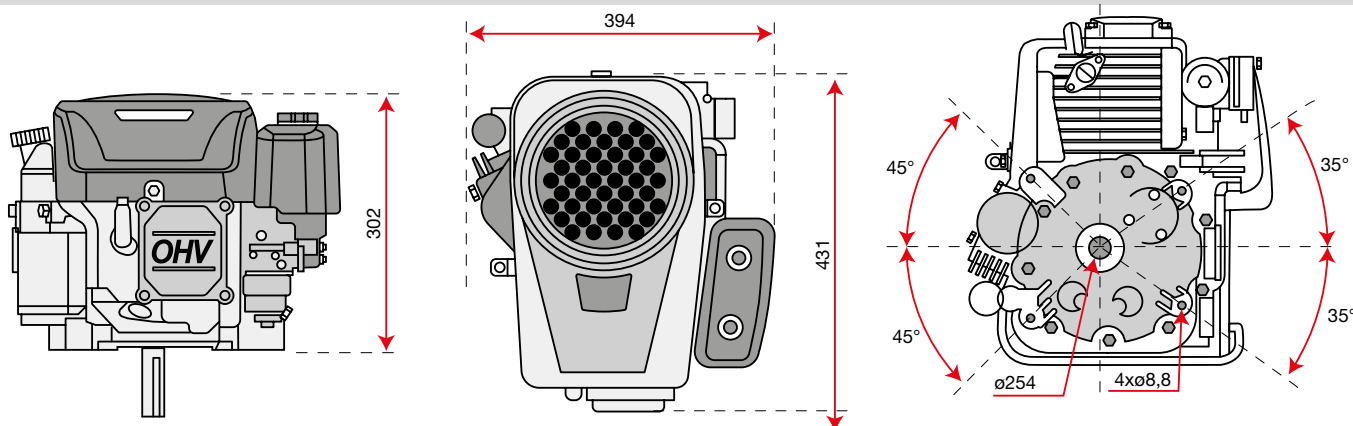
Net power	12 HP - 8.8 kW / 3600 rpm
Net torque	24 N.m / 2600 rpm
Bore x Stroke	90 mm x 68 mm
Displacement	432 cc
Starting	electric
Fuel capacity	not available
Engine oil capacity	1.2 L
Dimension	448 x 418 x 302 mm
Net weight	32.5 kg



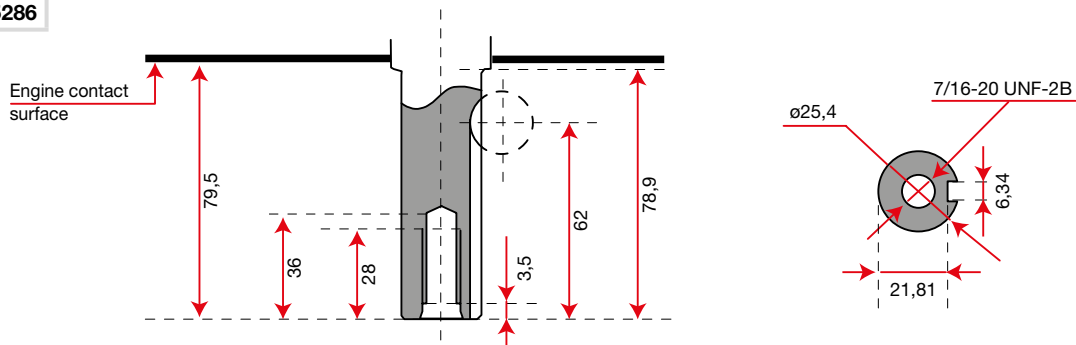
Emak Engines Gardening Line



Dimensions

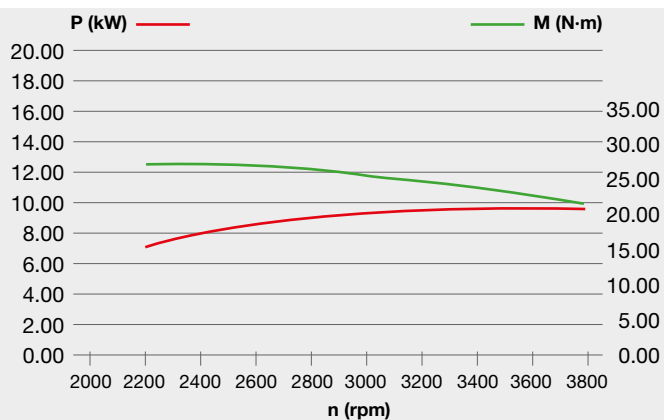


Engine code **3075286**



K 1600

Net power	12.5 HP - 9.2 kW / 3600 rpm
Net torque	27 N.m / 2600 rpm
Bore x Stroke	92 mm x 68 mm
Displacement	452 cc
Starting	electric
Fuel capacity	not available
Engine oil capacity	1.2 L
Dimension	432 x 294 x 302 mm
Net weight	31 kg



Performance, power and reliability. Petrol or Diesel-powered versions for every type of use.

These horizontal shaft engines are supplied with different displacements and power outputs to satisfy every need. They are high-powered, easy to start and simple to operate, as well as complying with mandatory environmental standards (Stage 5). The distribution system and overhead valves (OHV) ensure a longer service life.

- **Easy starting:** distribution system and large recoil starter pulley for safe and effortless starting.
- **Oil bath filter** with two stages, sponge and oil; retains any impurities before they enter the combustion chamber, extending the life cycle of the engine.
- **Total compatibility:** these compact, powerful petrol or diesel engines, also available with an electric starter, are suitable for a variety of agricultural uses.
- **Easy maintenance:** cleaning the various components (oil filter, spark plug, starter casing, etc.) and changing the engine oil are facilitated by the structural layout.



Stage 5
Low environmental impact engine certified to current European standards (STAGE 5).



OHV technology
Overhead valve engine layout, optimal combustion and consistent performance during heavy-duty use.



Oil bath filter
Oil-bath air filter system. Retains even the finest dust particles.



Automatic decompressor
Reduces the operator effort required during the starting phases. Automatic management of the decompression system.



KeyGo
Electric starter device. The engine is activated by a key-operated switch.



Gasoline
Petrol-powered engine.
Diesel
Diesel-powered engine.



Emak Engines Agriculture Line

The range



K 300 H



K 800 H
K 800 HC
K 800 HT



K 900 H
K 900 HR



K 1100 H



K 7000 HD
K 7000 HDR

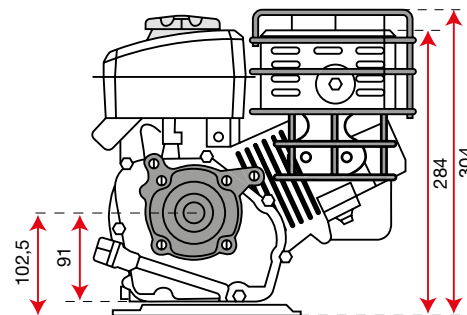
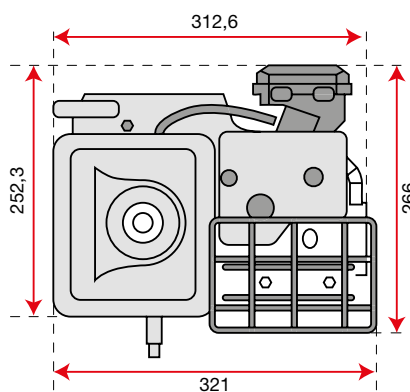
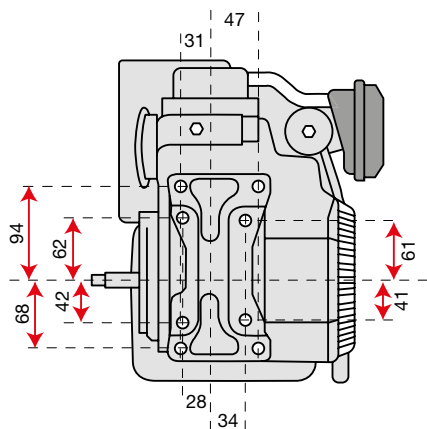


K 9000 HD

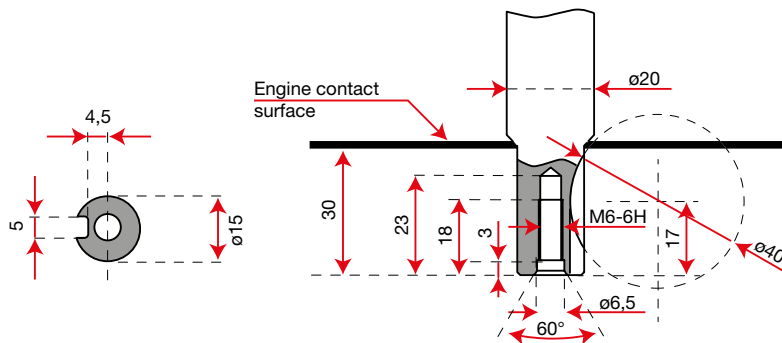
Emak Engines Agriculture Line



Dimensions

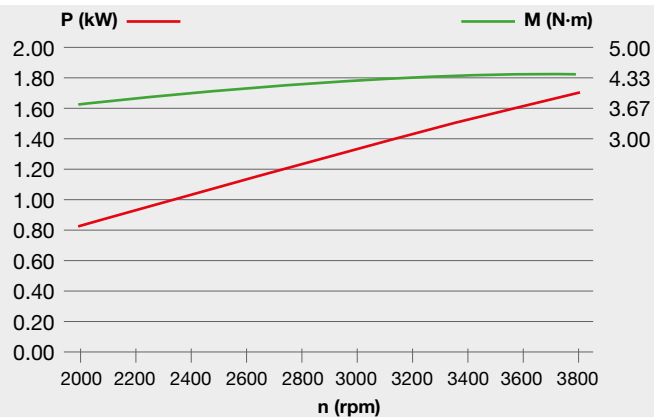


Engine code **3075274**



K 300 H

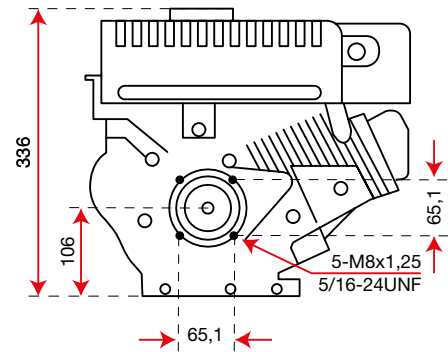
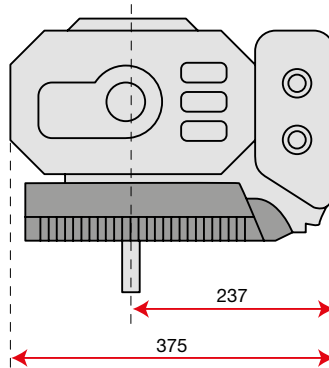
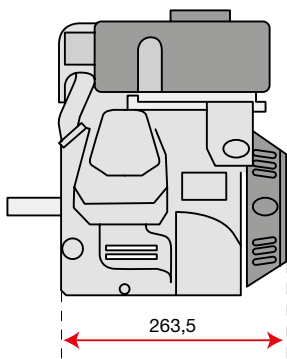
Net power	2.2 HP - 1.65 kW / 3600 rpm
Net torque	4.5 N.m / 3450 rpm
Bore x Stroke	48.6 mm x 43 mm
Displacement	79.77 cc
Starting	recoil start
Fuel capacity	1.6 L
Engine oil capacity	0.35 L
Dimension	325 x 260 x 310 mm
Net weight	12.8 kg



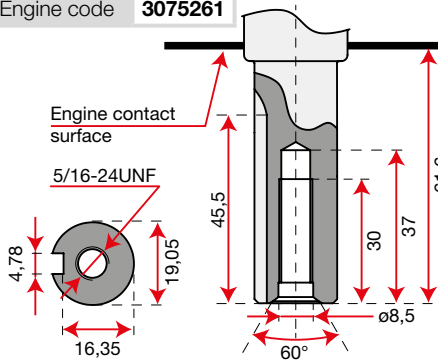
Emak Engines Agriculture Line



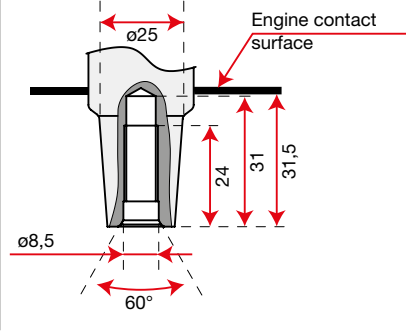
Dimensions



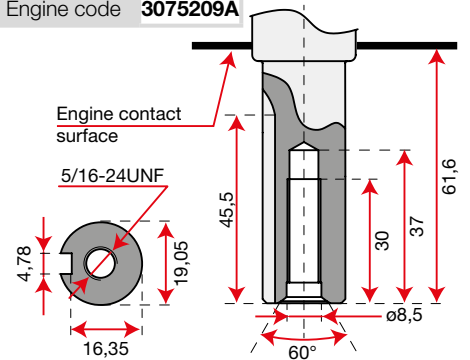
Engine code **3075261**



Engine code **3075208A**

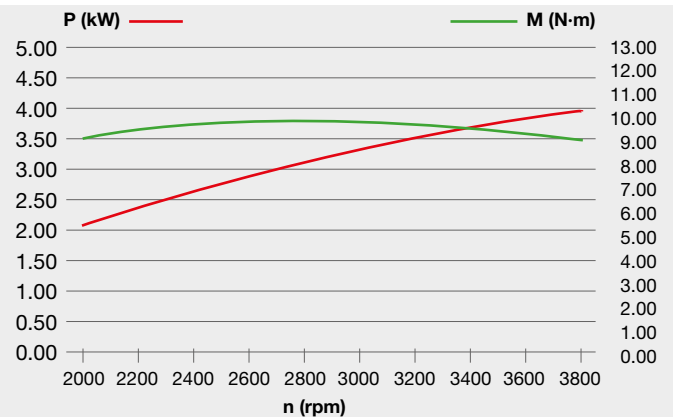


Engine code **3075209A**



K 800 H-HC-HT

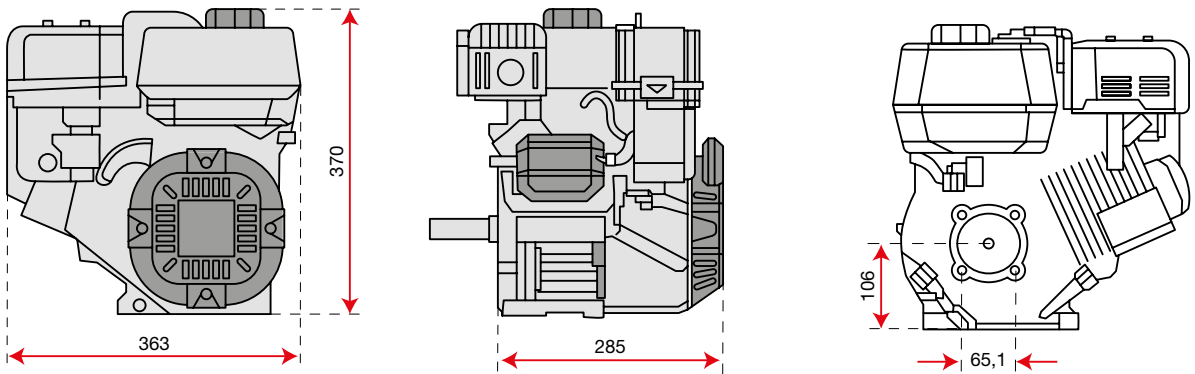
Net power	5.7 HP - 4.2 kW / 3600 rpm
Net torque	10.8 N.m / 2500 rpm
Bore x Stroke	65 mm x 55 mm
Displacement	182 cc
Starting	recoil start
Fuel capacity	3.0 L
Engine oil capacity	0.6 L
Dimension	263.5 x 375 x 336 mm
Net weight	16 kg



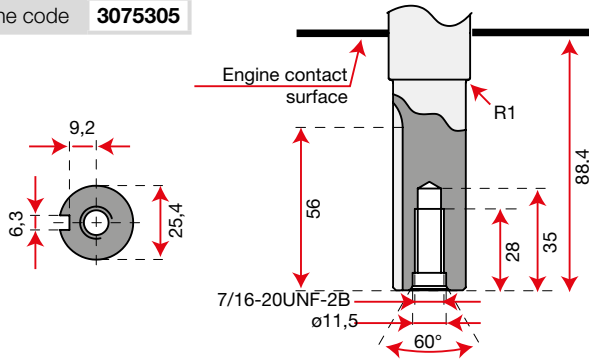
Emak Engines Agriculture Line



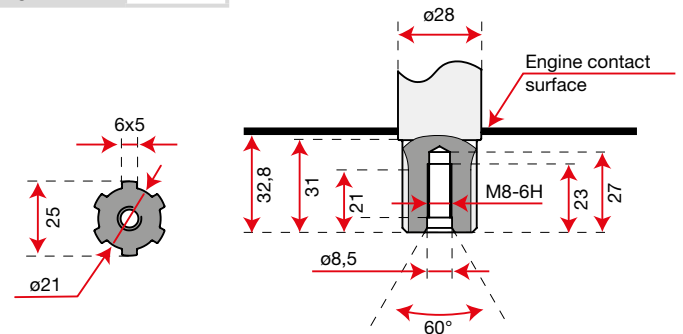
Dimensions



Engine code **3075305**

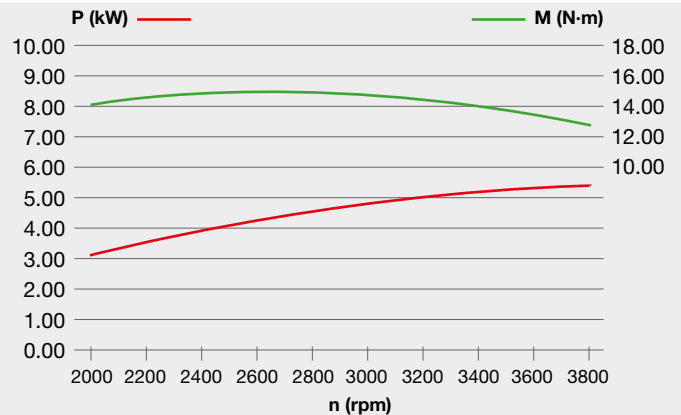


Engine code **3075210**



K 900 H-HR

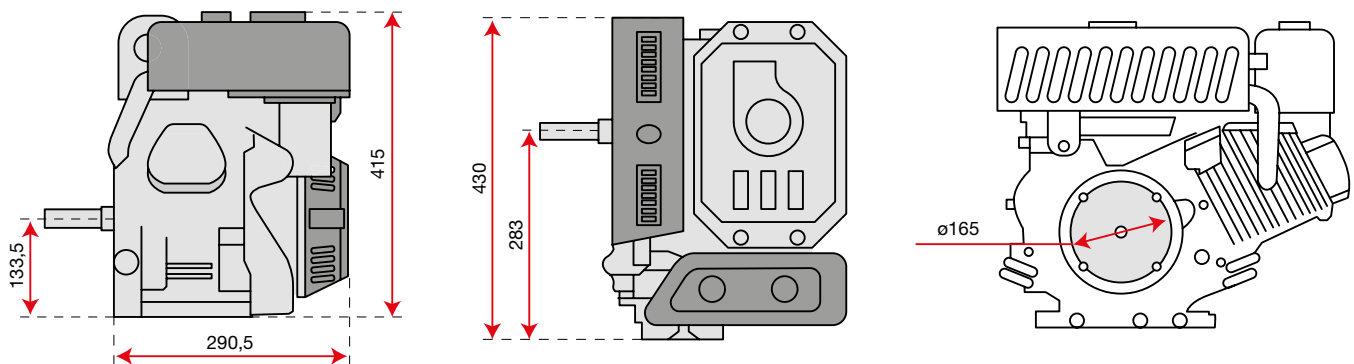
Net power	7.0 HP - 5.2 kW / 3600 rpm
Net torque	15.6 N.m / 2600 rpm
Bore x Stroke	75 mm x 57 mm
Displacement	252 cc
Starting	recoil start
Fuel capacity	4.0 L
Engine oil capacity	0.7 L
Dimension	363 x 285 x 370 mm
Net weight	16.5 kg



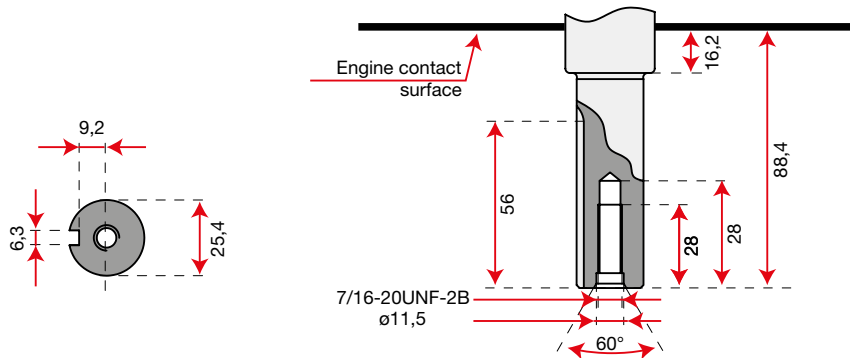
Emak Engines Agriculture Line



Dimensions

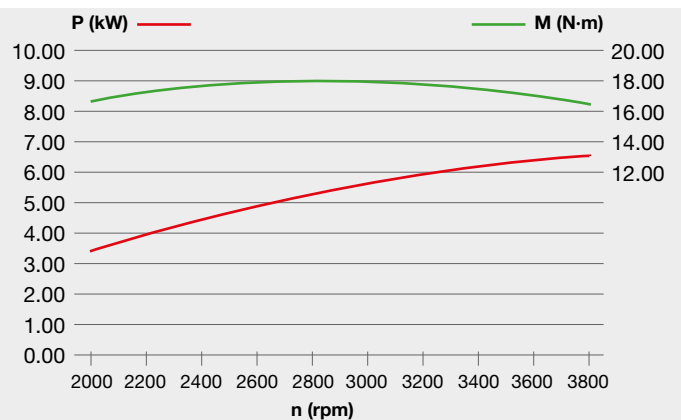


Engine code **3075262**



K 1100 H

Net power	8.4 HP - 6.2 kW / 3600 rpm
Net torque	18.5 N.m / 2500 rpm
Bore x Stroke	80 mm x 60 mm
Displacement	302 cc
Starting	recoil start
Fuel capacity	4.6 L
Engine oil capacity	0.9 L
Dimension	290.5 x 430 x 415 mm
Net weight	26.5 kg

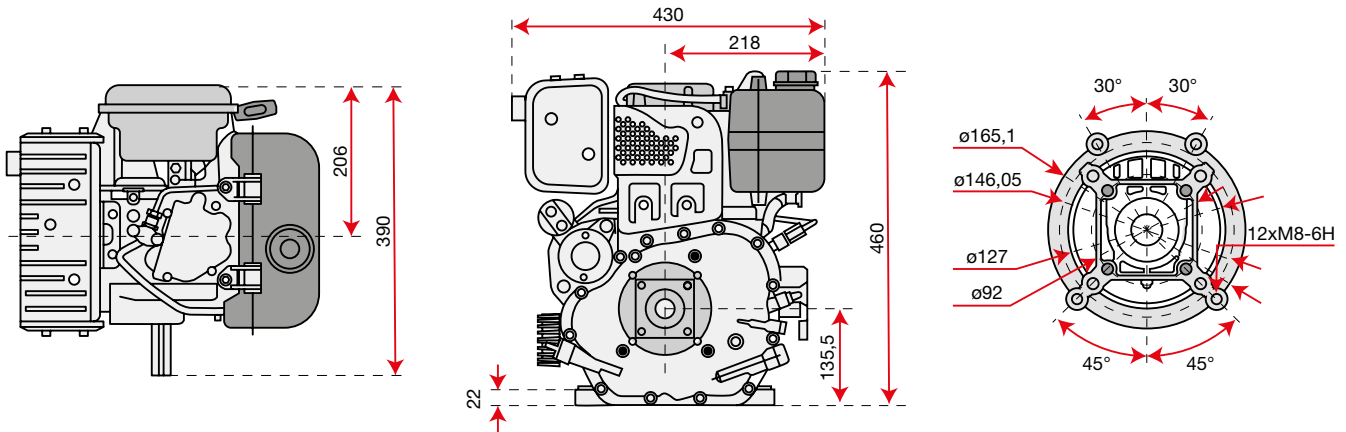


Emak Engines Agriculture Line

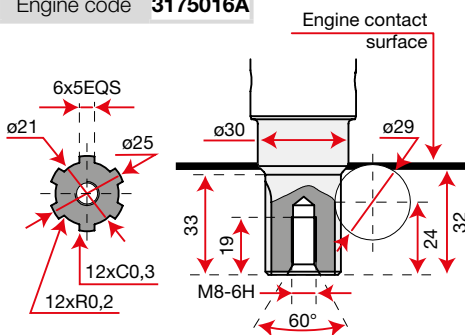


electric version

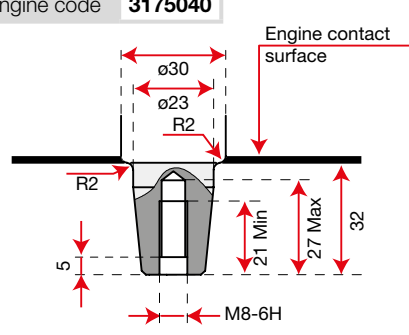
Dimensions



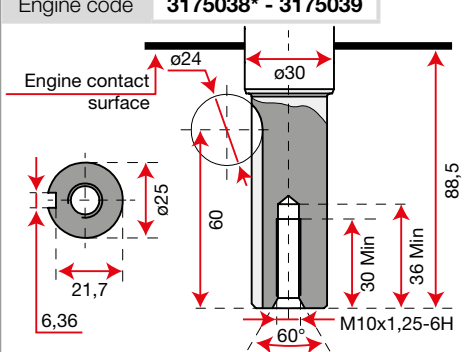
Engine code **3175016A**



Engine code **3175040**

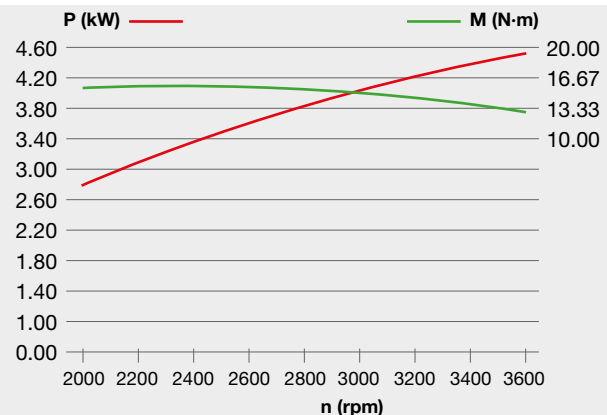


Engine code **3175038* - 3175039**



K 7000 HD-HDR

Net power	6.7 HP - 4.9 kW / 3600 rpm
Net torque	15.5 N.m / 2400 rpm
Bore x Stroke	78 mm x 73 mm
Displacement	349 cc
Starting	recoil start recoil start/electric*
Fuel capacity	3.5 L
Engine oil capacity	1.1 L
Dimension	390 x 430 x 460 mm
Net weight	39 kg 44 kg*

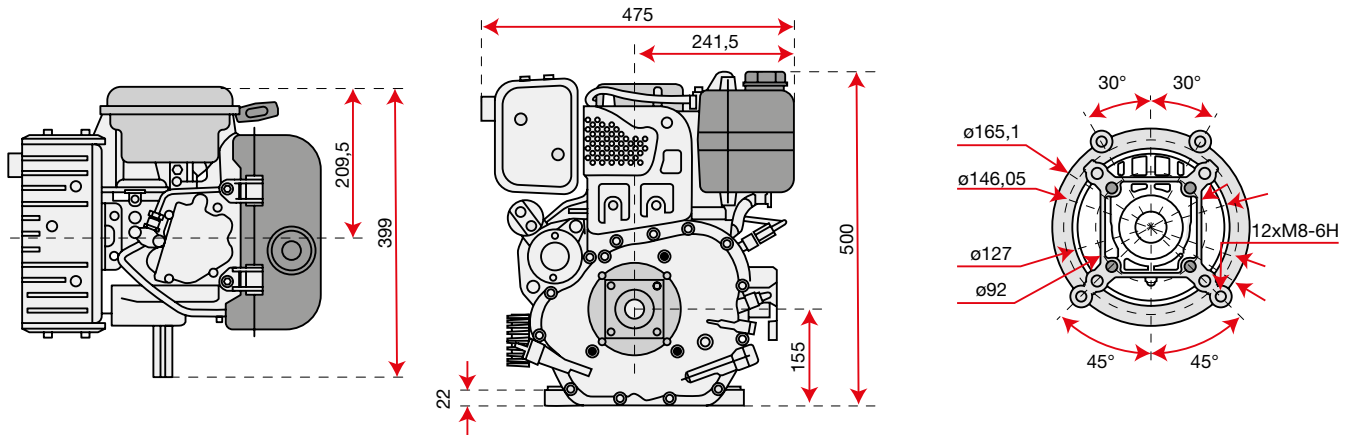


* electric version (Engine code 3175038)

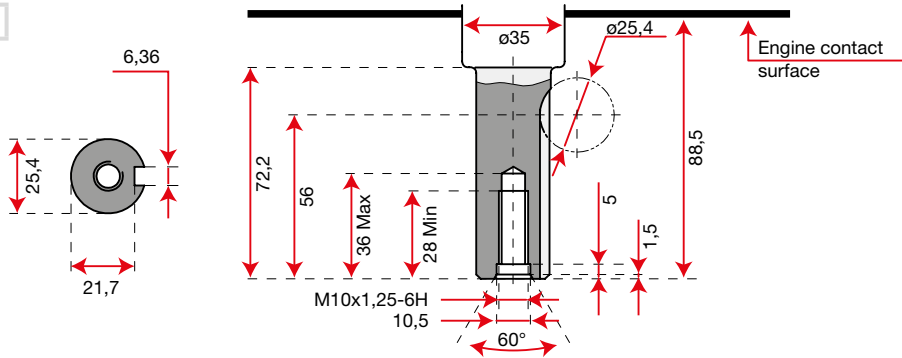
Emak Engines Agriculture Line



Dimensions

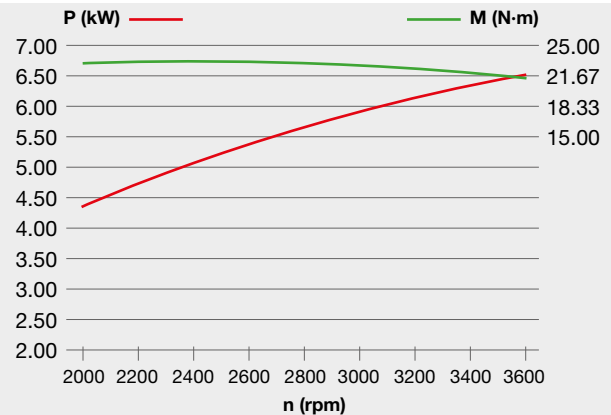


Engine code **3175041**



K 9000 HD

Net power	9.2 HP - 6.8 kW / 3600 rpm
Net torque	22 N.m / 2400 rpm
Bore x Stroke	86 mm x 76 mm
Displacement	441 cc
Starting	recoil start/electric
Fuel capacity	4.5 L
Engine oil capacity	1.6 L
Dimension	399 x 475 x 500 mm
Net weight	51 kg





General warnings

Data and illustrations published in the catalogue are not binding where specifications of materials are concerned, given that these will always be subject to technical improvement. Technical specifications given in the catalogue are subject to change without notice, as also are directions relating to general use of the equipment.

Certain items are not available in all countries, or are available only on request.





ef

Subject to modifications. Some models are available for certain markets only. - Mod.: 3085520F - 2024



It's an **Emak S.p.A.** trademark
42011 Bagnolo in Piano (RE) Italy
myefco.com

